

Introduction



ECI 10-1 electronic contactors are designed for application demanding fast and precise switching capability.

The contactors are burst fired for reduced EMC emission, have LED status indicators.

The units are DIN rail mountable, complete with heat sink and require no additional components.

Typical applications

ECI 10-1 electronic contactors are designed for fast and demanding switching of heater loads.

Design standard
IEC/EN 60947-4-3

Approvals
CE

Features

- Compact modular design complete with heat sink
- Zero side clearance
- DIN rail mountable
- Built-in varistor protection
- Operational current up to 10 A (AC-1)
- Line voltage up to 230 V a.c.
- Burst firing (zero cross)
- LED status indicator
- IP 20 protection

Technical data

Operating at high temperatures

If the contactor is placed inside small cabinets, care must be taken to avoid exceeding the max. ambient temperature, otherwise the current must be derated according to table

Ambient temperature	ECI 10
40°C	10 A
50°C	10A
60°C	8A

Output specifications

Operational current AC-1, AC-51	10A
Operational voltage	24 - 230 V a.c.
Leakage current max.	1 mA
Minimum operational current	10 mA
Semiconductor protection fusing type 1 co-ordination type 2 co-operation	16 A gL/gG 180 A ² S

Thermal specifications and environment

Power dissipation, continuously duty	1.3 W/A
Power dissipation, intermittent duty	1.3 W/A x duty cycle
Ambient temperature range	-5 to 40°C
Cooling method	Natural convection
Mounting	Vertical (see also general mounting instructions)
Max. ambient temperature with limited current	60°C, see derating for high temperatures in chart below)
Storage temperature range	-20 to 80°C
Protection degree / pollution degree	IP 20 / 3

Technical data (continued)

Insulation specifications

Rated insulation voltage, U_i	660 V
Rated impulse withstand voltage, U_{imp}	4 kV
Installation category	III

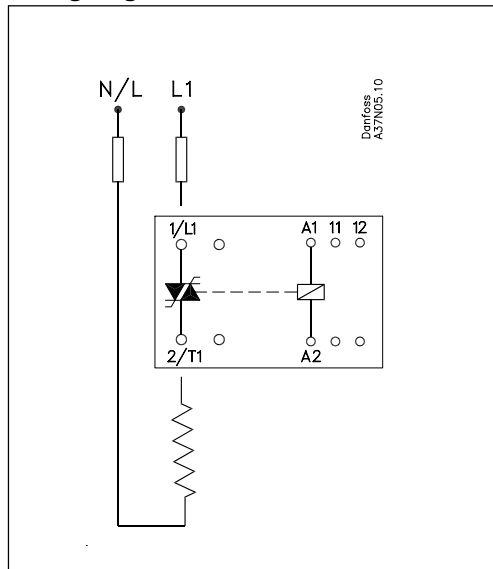
Control specifications

Control voltage ($\pm 10\%$)	5 to 40°C
Pick-up voltage	4.25 V d.c.
Drop out voltage	1.5 V d.c.
Control current	10 mA at 24 V d.c.
Response time max.	½ cycle

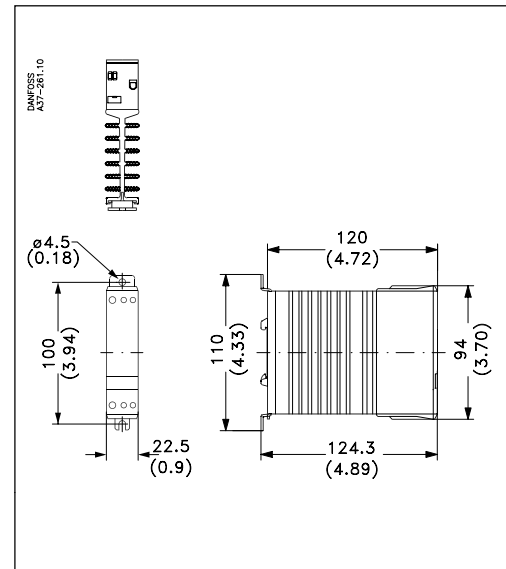
Selection guide

Operational current max.	Control voltage	Dimensions	Type	Code no.
10 A	5 to 24 V d.c.	22.5 mm module	ECI 10-1	037N0072

Wiring diagram



Dimensions



Danfoss can accept no responsibility for possible errors in catalogues, brochures and other printed material. Danfoss reserves the right to alter its products without notice. This also applies to products already on order provided that such alterations can be made without subsequential changes being necessary in specifications already agreed. All trademarks in this material are property of the respective companies. Danfoss and the Danfoss logotype are trademarks of Danfoss A/S. All rights reserved.