



RDAB15S-24A

Damper actuator, 15 Nm

Damper actuator with spring return for control of dampers in the event of power failure.

- Torque 15 Nm
- For dampers up to approximately 3 m²
- Power supply 24 V AC
- 0...10 V DC continuous control signal
- 2...10 V DC working range

The spring return actuator RDAB15S-24A is used to control dampers to open or closed position in the event of power failure. The actuator is controlled by means of a standard control signal 0...10 V DC. It opens to the position dictated by this signal. The measuring voltage U allows the damper position (0...100%) to be electrically indicated and serves as a follow-up control signal for other actuators.

Simple installation

The damper actuator is fitted with a universal spindle clamp for quick and easy mounting directly on the damper spindle. It is supplied with an antirotation strap for fixing it in position.

Release of the locking mechanism can be achieved manually or automatically by applying the supply voltage.

If manual operation is used while the power supply is still switched on, the actuator will check itself by running first to the start position dictated by the control signal.

The damper actuator is supplied with 1 m cable.

High functional reliability

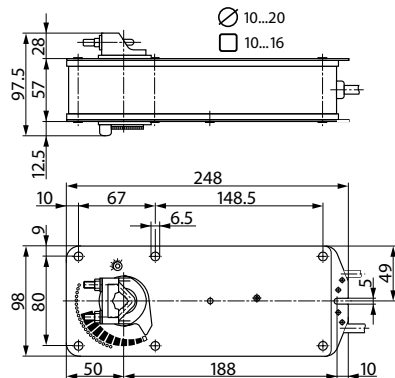
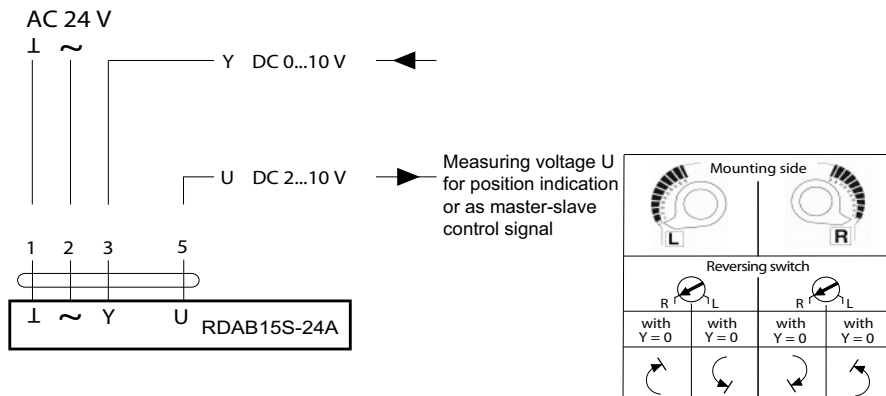
At first power-up the actuator moves to its working position while tensioning the return spring at the same time. If the power supply is interrupted, the energy stored in the spring moves the damper back to its safe position $\leq 0^\circ$.

The actuator is delivered with 5° spring pre-tensioning. The spring pre-tensioning can be released either manually or via an electric impulse. Then the actuator moves to its safe position $\leq 0^\circ$.

Technical data

Supply voltage	24 V AC 50/60 Hz
Power consumption	
Motoring	6 W
Holding	2.5 W
Control signal Y	0...10 V DC at input resistance 100 kOhm (0.1 mA)
Working range	2...10 V DC at control signal Y
Measuring voltage	2...10 V DC, max. 0.5 mA
Synchronisation tolerance	+/- 5%
Direction of rotation	
Actuator	Selectable with L/R (Left/Right) switch
Spring	Selectable by left or right mounting L/R
Torque	
Actuator	Min. 15 Nm at nominal voltage
Spring return	Min. 15 Nm
Angle of rotation	Max. 95°, adjustable 26...95% with a supplied limit stop
Running time	
Actuator	150 s
Spring return	16 s
Sound power level	
Actuator	Max. 45 dB (A)
Spring	Max. 62 dB (A)
Position indication	Mechanical
Protection class	IP54
Ambient temperature	-30...+50°C
Storage temperature	-40...+80°C
Cable	1 m, 5 x 0.75 mm ²
Weight	2700 g
CE	The product conforms with the requirements of European EMC standard 89/336/EEC, 92/31/EEC and carries the CE-mark.

Wiring and Dimensions



Measurements in mm

Head Office Sweden
 Phone: +46 31 720 02 00
 Web: www.regin.se
 Mail: info@regin.se

Sales Offices
 France: +33 14 171 46 46
 Hong Kong: +852 24 07 02 81
 Singapore: +65 67 47 82 33
 Germany: +49 30 77 99 40

REGIN

THE CHALLENGER IN BUILDING AUTOMATION