



RDAB15S-230...

Damper actuator, 15 Nm

Damper actuator with spring return for control of dampers in the event of power failure.

- Torque 15 Nm
- For dampers up to approximately 3 m²
- Power supply 230 V AC
- On/off control signal
- Built-in auxiliary switch RDAB15S-230S

The spring return motors RDAB15S-230 and RDAB15S-230S are used to control dampers to open or closed position in the event of power failure.

Simple installation

The damper actuator is easily mounted on the damper spindle with the universal spindle clamp. The actuator is supplied with an anti-rotation strap that prevents it from rotating.

Release of the locking mechanism can be achieved manually or automatically by applying the supply voltage.

The damper actuators are supplied with 1 m cable.

High functional reliability

At first power-up the actuator moves to its working position while tensioning the return spring at the same time. If the power supply is interrupted, the energy stored in the spring moves the damper back to its safe position $\leq 0^\circ$.

The actuator is delivered with 5° spring pre-tensioning. The spring pre-tensioning can be released either manually or via an electric impulse. Then the actuator moves to its safe position $\leq 0^\circ$.

Signalisation

RDAB15S-230S has two auxiliary switches, one with a fixed switching point at 5%, and one with a switching point that can be set between 26...89%.

Models

RDAB15S-230	Basic model
RDAB15S-230S	Model with built-in auxiliary switch

Technical data

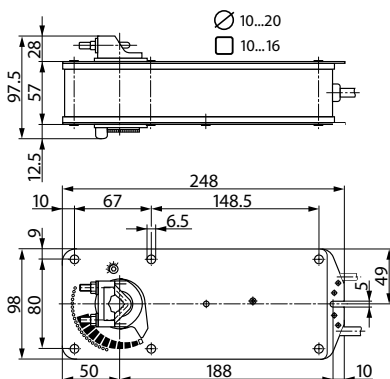
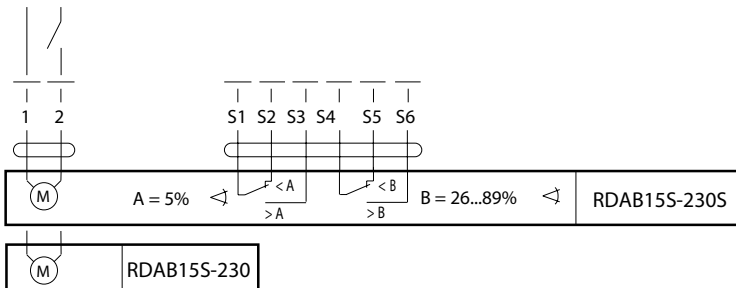
Supply voltage	230 V AC 50/60 Hz
Power consumption	
Motoring	6.5 W
Holding	2.5 W
Control signal	On/off
Direction of rotation	Selectable by left or right mounting L/R
Torque	
Actuator	Min. 15 Nm at nominal voltage
Spring return	Min. 15 Nm
Angle of rotation	Max. 95°, adjustable 26...95% with a supplied limit stop
Running time	
Actuator	150 s
Spring return	16 s
Sound power level	
Actuator	Max. 45 dB (A)
Spring	Max. 62 dB (A)
Position indication	Mechanical
Protection class	IP54
Ambient temperature	-30...+50°C
Storage temperature	-40...+80°C
Cable	
Actuator	1 m, 2 x 0.75 mm ²
Auxiliary switch (RDAB15S-230S)	1 m, 6 x 0.75 mm ²
Auxiliary switch (RDAB15S-230S)	2 x EPU 6 (3) A, 250 V AC. Switching points: fixed 5%, adjustable 26...89%.
Weight	3300 g



The product conforms with the requirements of European EMC standard 89/336/EEC and 92/31/EEC and carries the CE-mark.

Wiring and Dimensions

AC 230 V
N L1



Measurements in mm

Head Office Sweden
Phone: +46 31 720 02 00
Web: www.regin.se
Mail: info@regin.se

Sales Offices
France: +33 14 171 46 46
Hong Kong: +852 24 07 02 81
Singapore: +65 67 47 82 33
Germany: +49 30 77 99 40

REGIN

THE CHALLENGER IN BUILDING AUTOMATION