



- Kvs value 0.16...25
- Pressure rating PN16
- Fluid temperature 2...110°C

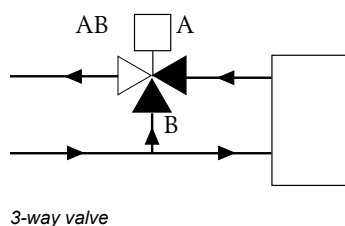
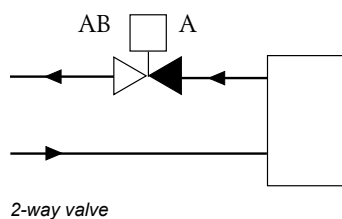
MVFL...F is a series of flanged control valves. They are intended for use together with the RVAZ4 electromechanical actuator. To be able to use the RVAZ4 actuator, an OVA-L1 model adapter is supplied with the valve.

Function

The 2-way valve is closed when the spindle is placed in the highest position and completely open in the lowest position.

The 3-way valve is closed between port A and AB (the ports placed opposite of each other) when the spindle is in the highest position. While in this position, the valve is open between the lowest port B and the joint outgoing port AB.

When the spindle is in its lowest position, the 3-way valve is completely open between port A and AB and thereby closed between the lowest port B and the joint port AB.



MVFL...F

2- and 3-way flanged control valve

MVFL...F is a series of control valves intended for use in heating and air conditioning systems together with the RVAZ4... series of actuators.

- Rangeability >50:1
- Body in grey cast iron permits higher temperatures
- Available in sizes from DN15 up to DN40

Applications

The MVFL...F series of valves are suitable for control of hot or cold water. They can also be used for control of heating and air-conditioning systems using non-corrosive liquids or gases with temperatures ranging from 2...110°C.

Valves in the MVFL...F series should not be used together with flow media which may give rise to cavitations.

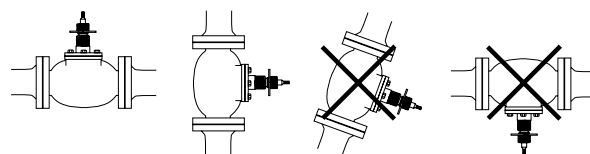
Material

MVFL...F has a body manufactured from grey cast iron with plugs constructed from stainless steel. Soft port sealings ensure hermetic tightness when the valves are in their closed position.

Installation

The valves should be mounted in accordance with the flow direction indicated on the valve body. Inlet ports are designated by letters A and B, while the outlet port is designated by AB.

The valves may be installed as per the diagram below:



Valves in the MVFL...F series are delivered with a screw joint that enables the valve to be quickly and easily installed in any suitable appliance. A hand wheel, which can be used to control the valve before an actuator has been mounted, is also part of the delivery.

Models

2-way	Connection	Kvs	Max. diff. pressure (kPa)
MVFL215/8F	DN15	0.16	400
MVFL215/7F	DN15	0.25	400
MVFL215/6F	DN15	0.4	400
MVFL215/5F	DN15	0.63	400
MVFL215/4F	DN15	1	400
MVFL215/3F	DN15	1.6	400
MVFL215/2F	DN15	2.5	400
MVFL215/1F	DN15	4	400
MVFL220/F	DN20	6.3	350
MVFL225/F	DN25	10	200
MVFL232/F	DN32	16	110
MVFL240/F	DN40	25	60

3-way	Connection	Kvs	Max. diff. pressure (kPa)
MVFL315/7F	DN15	0.25	400
MVFL315/6F	DN15	0.4	400
MVFL315/5F	DN15	0.63	400
MVFL315/4F	DN15	1	400
MVFL315/3F	DN15	1.6	400
MVFL315/2F	DN15	2.5	400
MVFL315/1F	DN15	4	400
MVFL230/F	DN20	6.3	350
MVFL325/F	DN25	10	200
MVFL332/F	DN32	16	110
MVFL340/F	DN40	25	60

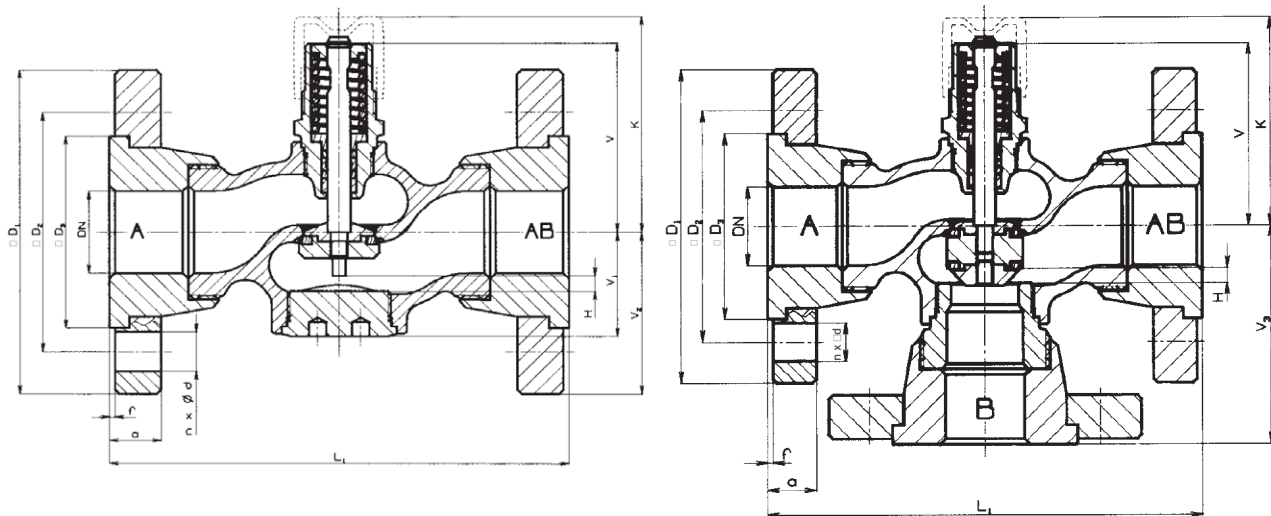
Technical data

Flow characteristics	Linear
Fluid temperature	2...110°C
Media	Hot, cold water heating or air conditioning systems
Connection	Flanged with raised faces
Stroke	5.5 mm
Pressure rating	PN16

Material	
Body	Grey cast iron EN-JL 1030
Plug and seat	Stainless steel 1.4021
Packing	O-ring EPDM
Rangeability	>50:1

Dimensions

DN	L1	V	V1	V2	V3	ØD1	ØD2	ØD3	a	f	n	Ød	K	H	m 2-way	m 3-way
	mm	mm	mm	mm	mm	mm	mm	mm	mm	mm		mm	mm	mm	kg	kg
15	130	67	36.5	42.5	65	95	65	45	16	2	4	14	77		2.3	3.1
20	150	67	36.5	52.5	75	105	75	58	16	2	4	14	77	5.5	3.2	4.4
25	160	67	37	57.5	80	115	85	68	18	2	4	14	77		3.8	5.3
32	180	78	49	70	90	140	100	78	18	2	4	18	88		5.9	8.1
40	200	78	49	75	100	150	110	88	19	3	4	18	88		6.9	9.5



Pressure drop diagram

Pressure drop

