



- Size DN 15-50
- Kvs value 0.63...40
- Media temperature -5...+185°C

The ETRS valve is designed for use in heating and ventilation systems. It also works very well in fresh water systems, as it is made of dezincification resistant brass and gunmetal. Connections are made of galvanized cast iron and pipe fittings of dezincification resistant brass.

#### Function

As the stem is at its lower position, flow-through between ports A and AB is entirely open (and closed between ports B and AB). As the stem is at its highest position, flow-through between ports B and AB is entirely open (and closed between ports A and AB).

#### Actuators

ETRS is designed to be used together with Regin's RVA5... line of actuators. The RVA10... may also be used on DN32-50 if needed. We also offer adapters for actuators of other brands.

# ETRS

## Male threaded 3-way control valve

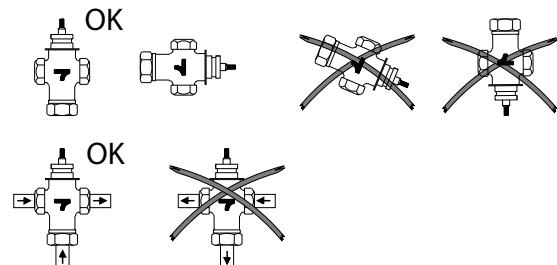
ETRS is a series of valves intended for control of hot, cold or glycol-mixed water in heating, ventilation or domestic hot water systems.

- Pressure class PN16
- Body in gunmetal
- Supplied complete with pipe fittings

#### Installation

The valves should be mounted according to the flow direction arrows on the valve.

The valve is of a mixing type and must therefore be mounted in the mixing point.



#### Material

ETRS has a body of gunmetal and a stem made of stainless steel. The plug is made of gunmetal. The packing box has O-rings made of Viton and self-adjusting teflon seals.

The enclosed pipe fitting nut is made of galvanized cast iron and the nipple is in dezincification resistant brass.

**Models**

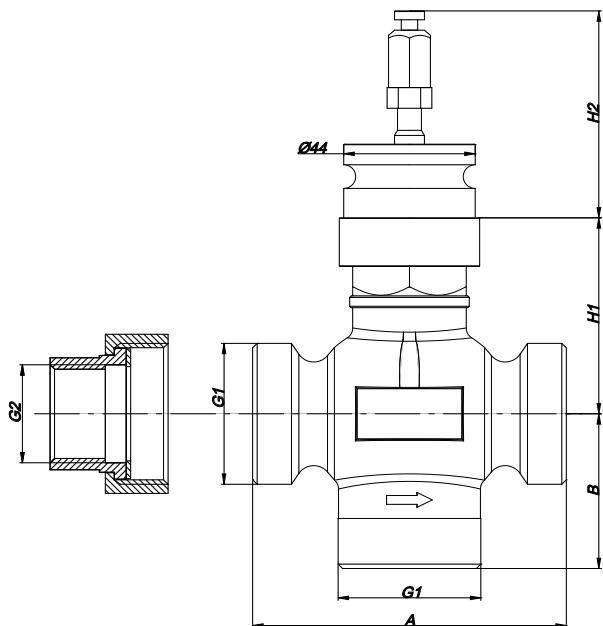
Valves	Connection	Kvs	Max. diff. pressure
ETRS15-0,63	DN15	0.63	1.6 MPa
ETRS15-1,25	DN15	1.25	1.6 MPa
ETRS15-1,6	DN15	1.6	1.6 MPa
ETRS15-2,5	DN15	2.5	1.6 MPa
ETRS15-4,0	DN15	4	1.6 MPa
ETRS20-5,0	DN20	5	1.6 MPa
ETRS20-6,3	DN20	6.3	1.6 MPa
ETRS25-8,0	DN25	8	1.0 MPa
ETRS25-10	DN25	10	1.0 MPa
ETRS32-12,5	DN32	12.5	0.6 MPa
ETRS32-16	DN32	16	0.6 MPa
ETRS40-20	DN40	20	0.4 MPa
ETRS40-25	DN40	25	0.4 MPa
ETRS50-31,5	DN50	31.5	0.25 MPa
ETRS50-40	DN50	40	0.25 MPa

**Technical data**

Flow characteristics	Equal percentage
Temperature range	-5...+185°C
Media	Hot, cold or glycol-mixed water and steam
Connection	Male threaded according to ISO 228/1 Delivered with connections according to dimension drawing below.
Stroke	20 mm
Max. leakage	0.1 % of kvs
Pressure class	PN16
Rangeability	100:1
Material	
Body	Gunmetal 1400 LG2
Stem	Stainless steel 303S31
Plug	Gunmetal 1400 LG2
Seat	Gunmetal 1400 LG2
Packing box	Dezinicification resistant brass CW 602N, self-adjusting teflon (o-ring viton)
O-ring	Viton
Connections	
Nut	Cast iron, galvanized
Nipple	Dezinicification resistant brass CW 602N
Fitting seal	Novatec Premium 2, Nitrile bonded aramid fibre with graphite

**Dimensions**

DN	A	B	H1	H2	G1	G2
15	100	50	60.5	70	G 1"	G ½"
20	100	50	60.5	70	G 1¼"	G ¾"
25	105	52.5	66.5	70	G 1½"	G 1"
32	105	52.5	68.5	70	G 2"	G 1¼"
40	130	65	76.5	70	G 2¼"	G 1½"
50	150	75	82,5	70	G 2¾"	G 2"



## Pressure drop diagram

Pressure drop

