



- No leakage
- Pressure balanced (smaller actuator can be used)
- Media temperature -5...185°C

NTVS is intended for hot and cold water, glycol-mixed water, steam, and district heating within the temperature range -5°C...185°C.

#### Function

The valve is closed when the stem is in its lowest position.

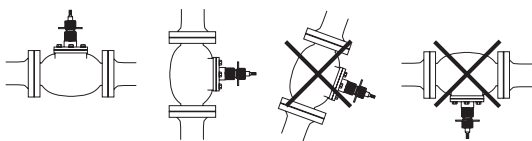
#### Actuators

The valve is pressure balanced, and is therefore able to handle high differential pressures with low force. This means that an actuator with low force can be used.

NTVS is intended for use with RVA... actuators.

#### Installation

The valve should be mounted according to the flow direction marks on the valve.



# NTVS

## Flanged 2-way valve

NTVS is a pressure balanced 2-way valve intended for control of hot/cold water, glycol-mixed water, steam or district heating.

- Pressure class PN16
- Differential pressure 1.6 MPa
- Flange distance according to DIN

#### Material

NTVS has body and lid of nodular iron. Seat, stem and lining are made of stainless steel, and the cone is in gun metal/stainless steel.

The valve has softseal of carbon-filled Teflon between cone and seat, which makes it completely tight. It has a self-adjusting packing box in Teflon and O-ring in Viton.

#### Control of refrigerants

The valves can be adapted to be used with different types of refrigerants. A special kind of packing box should be mounted.

Contact Regin for more information.

## Models

Model	Connection	Kv	Stroke	Actuator
NTVS15-0,4	DN15	0.4	20 mm	RVA5...
NTVS15-1,0	DN15	1.0	20 mm	RVA5...
NTVS15-1,6	DN15	1.6	20 mm	RVA5...
NTVS15-2,7	DN15	2.7	20 mm	RVA5...
NTVS20-0,8	DN20	0.8	20 mm	RVA5...
NTVS20-1,6	DN20	1.6	20 mm	RVA5...
NTVS20-2,7	DN20	2.7	20 mm	RVA5...
NTVS20-3,9	DN20	3.9	20 mm	RVA5...
NTVS20-6,3	DN20	6.3	20 mm	RVA5...
NTVS25-1,6	DN25	1.6	20 mm	RVA5...
NTVS25-2,5	DN25	2.5	20 mm	RVA5...
NTVS25-4,0	DN25	4	20 mm	RVA5...
NTVS25-6,3	DN25	6.3	20 mm	RVA5...
NTVS25-10	DN25	10	20 mm	RVA5...
NTVS32-4,0	DN32	4	20 mm	RVA5...
NTVS32-6,3	DN32	6.3	20 mm	RVA5...
NTVS32-10	DN32	10	20 mm	RVA5...
NTVS32-16	DN32	16	20 mm	RVA5...

Model	Connection	Kv	Stroke	Actuator
NTVS40-6,3	DN40	6.3	20 mm	RVA5...
NTVS40-10	DN40	10	20 mm	RVA5...
NTVS40-16	DN40	16	20 mm	RVA5...
NTVS40-27	DN40	27	20 mm	RVA5...
NTVS50-6,3	DN50	6.3	20 mm	RVA5...
NTVS50-10	DN50	10	20 mm	RVA5...
NTVS50-16	DN50	16	20 mm	RVA5...
NTVS50-27	DN50	27	20 mm	RVA5...
NTVS50-39	DN50	39	20 mm	RVA5...
NTVS65-16	DN65	16	20 mm	RVA5...
NTVS65-27	DN65	27	20 mm	RVA5...
NTVS65-39	DN65	39	20 mm	RVA5...
NTVS65-63	DN65	63	20 mm	RVA5...
NTVS80-100	DN80	100	20 mm	RVA5...
NTVS100-160	DN100	160	38 mm	RVA18...
NTVS125-215	DN125	215	40 mm	RVA25...
NTVS150-310	DN150	310	40 mm	RVA25...

## Technical data

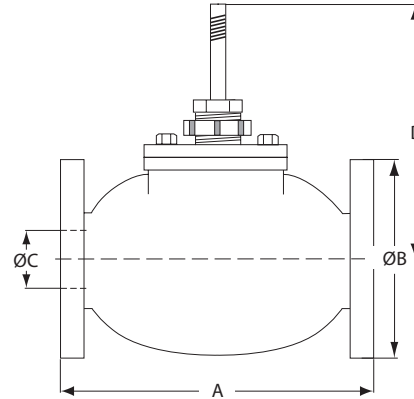
Max. diff. pressure	1.6 MPa
Flow type	Equal percentage
Fluid temperature	-5...+185°C
Media	Hot, cold, glycol-mixed water or steam
Connection	Flanges according to SS 335 table 6
Rangeability	100:1
Pressure class	PN16
Leakage	None

## Material

Body	Nodular iron SS 0727
Seat and lining	Stainless steel SS 2333
Stem	Stainless steel SS 2346
Packing box	Self-adjusting Teflon
O-ring	Viton
Piston ring	Carbon-filled PTFE (Viton)
Cone	Gun metal/stainless steel
Softseal	Carbon-filled Teflon

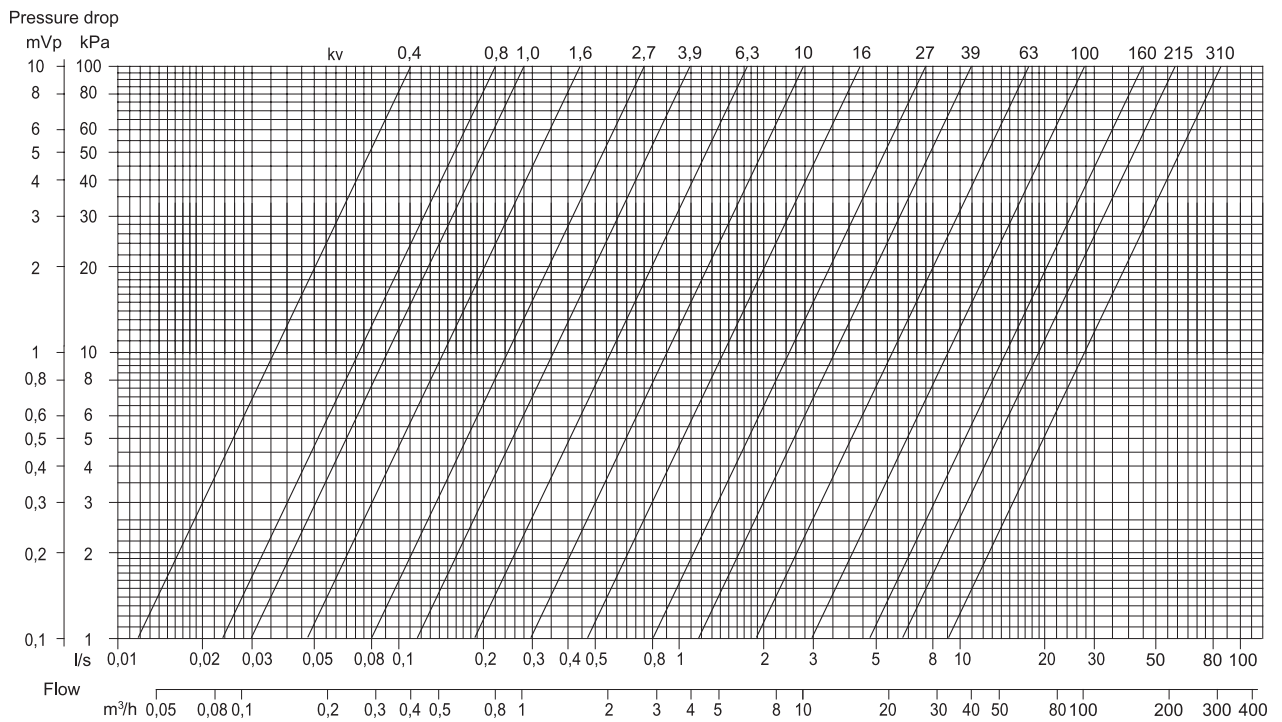
## Dimensions

Connection	A	B	C	D	Weight
DN15	130	95	15	110	3 kg
DN20	150	105	20	115	3 kg
DN25	160	115	25	130	4 kg
DN32	180	140	32	140	6 kg
DN40	200	150	40	150	8 kg
DN50	230	165	50	175	11 kg
DN65	290	185	65	180	15 kg
DN80	310	200	80	190	20 kg
DN100	350	220	100	230	37 kg
DN125	400	250	125	240	55 kg
DN150	480	285	150	260	88 kg



Measurements i mm.

## Pressure drop diagram



**Head Office Sweden**  
 Phone: +46 31 720 02 00  
 Web: [www.regin.se](http://www.regin.se)  
 Mail: [info@regin.se](mailto:info@regin.se)

**Sales Offices**  
 France: +33 1 41 71 00 34  
 Germany: +49 30 77 99 40  
 Spain: +34 91 826 54 06  
 Hong Kong: +852 24 07 02 81  
 Singapore: +65 67 47 82 33

**REGIN**

THE CHALLENGER IN BUILDING AUTOMATION