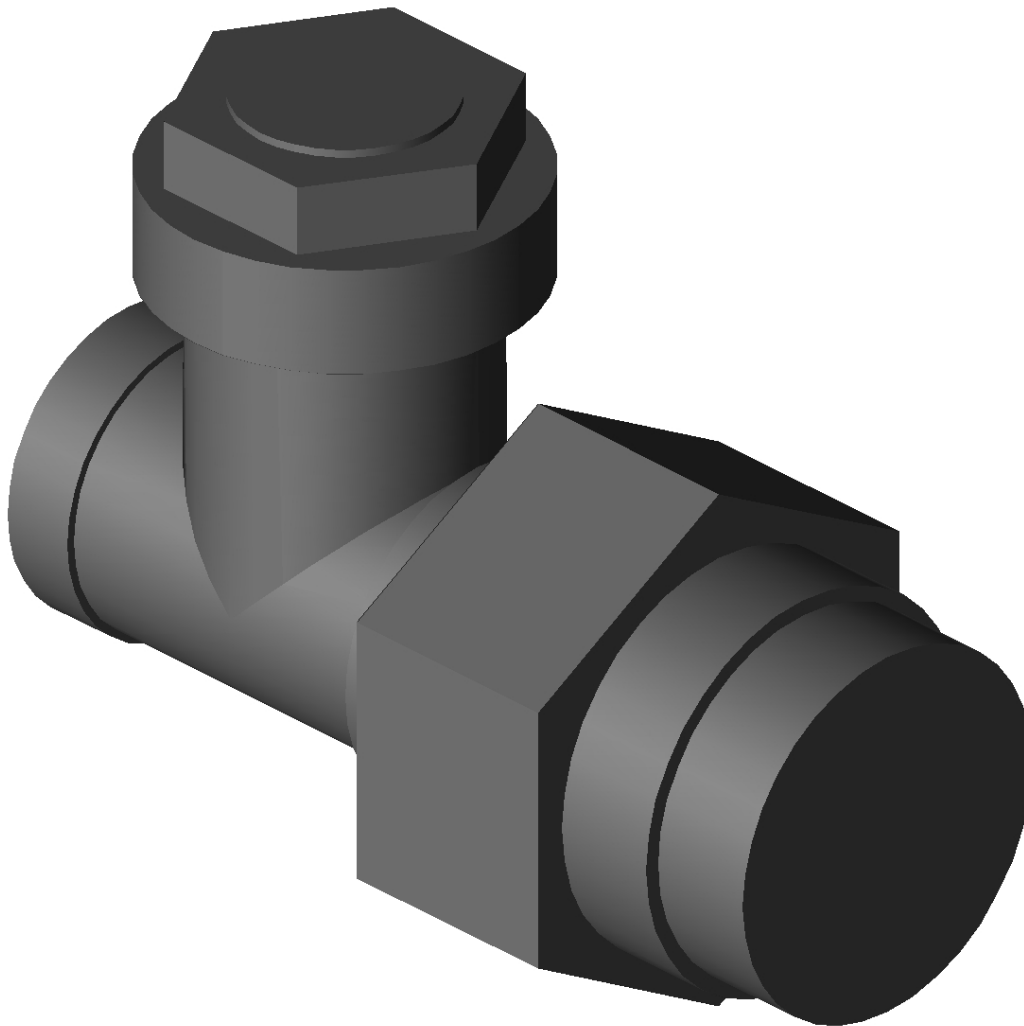


V2465DX015

CAD DATA

3D Functions

(click on picture to activate)



CAD Files

(double click on top of icon to open, right click to save)

[Honeywell_V2465DX015_3D.dxf \(DXF V2004\)](#)
[Honeywell_V2465DX015_3D.dwg \(DWG V2004\)](#)
[Honeywell_V2465DX015_3D.stp \(STEP AP214\)](#)
[Honeywell_V2465DX015_3D.igs \(IGES 5.3\)](#)
[Honeywell_V2465DX015_3D.sat \(SAT 7.0\)](#)
[Honeywell_V2465DX015_2D_Left.dwg \(DWG V2004\)](#)
[Honeywell_V2465DX015_2D_Right.dwg \(DWG V2004\)](#)
[Honeywell_V2465DX015_2D_Front.dwg \(DWG V2004\)](#)
[Honeywell_V2465DX015_2D_Top.dwg \(DWG V2004\)](#)

Product data	
Brand:	Honeywell
Date:	12.07.2010
DN size (mm):	15
Max. media temp:	130
Static pressure:	10
Kvs value:	1.7