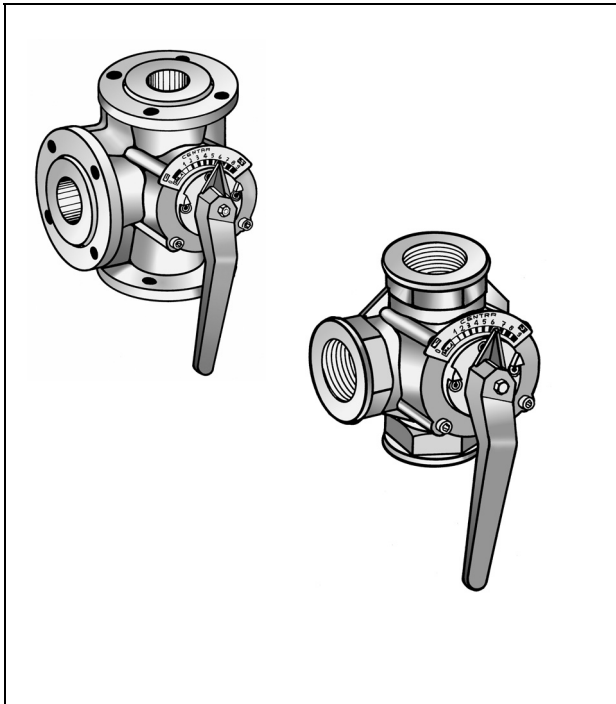


DRxxGMLA / DRxxxGFLA 3-WAY ROTARY VALVES PN 6

PRODUCT DATA



APPLICATION

The DRxxGMLA / DRxxxGFLA rotary valves provide water temperature control in heating and air conditioning applications.

These valves are designed for accurate mixing control of supply water temperature in heating and air conditioning systems.

Its sturdy construction ensures a long and reliable operating life when used in combination with M6061/VMM and M7061/VRM actuators.

FEATURES

- Chrome-plated plug for long life.
- Optimized characteristic for supply water temperature control
- Protected against corrosion and blocking
- Reliable mounting for electrical actuators
- Clear position indicator
- Wide range of flow rates with suitable actuators

SPECIFICATIONS

| | |
|---------------------------------|---|
| Nominal static pressure | 6 bar, 600kPa |
| Maximum pressure drop | depending on type (see section "Specification and Order Number" on page 2) |
| Leakage rate | 1% of k_{vs} |
| Ports | Internal threads / flange in accordance with <u>DIN EN 1092-2</u> depending on type (see section "Specification and Order Number" on page 2) |
| Angle of rotation | 90 ° |
| Internal threads | 8 windings long |
| Packing | Double o-ring sealing |
| Material body | Cast iron |
| Material inner parts | Chrome-plated cast iron |
| Medium | Heating water according to VDI 2035 (oxygen concentration less than 0.2 g/m ³ , pH 8...9.5), glycol-water mixtures (max. 50% glycol) |
| Water temperatures in the valve | 2 to 130 °C, non-condensing |
| Weight | depend on type (see sections "Dimensions with DRxxGMLA (mm)" and "Dimensions with DRxxxGFLA (mm)" on page 3) |
| Flow characteristic | equal percentage |

SPECIFICATION AND ORDER NUMBER

| DN | kVS [m ³ /h] | Δp max [kPa] | nominal torque [Nm] | OS no. internal thread | OS no. flange | torque [Nm] for reduced Δp (40 kPa) |
|-----|----------------------------|-------------------------|------------------------|---------------------------|------------------|---|
| 15 | 4,0 | 100 | 20 | DR15GMLA | – | 20 |
| 20 | 6,3 | 100 | 20 | DR20GMLA | DR20GFLA | 20 |
| 25 | 10 | 100 | 20 | DR25GMLA | DR25GFLA | 20 |
| 32 | 16 | 100 | 20 | DR32GMLA | DR32GFLA | 20 |
| 40 | 25 | 100 | 20 | DR40GMLA | DR40GFLA | 20 |
| 50 | 40 | 100 | 20 | – | DR50GFLA | 20 |
| 65 | 63 | 100 | 20 | – | DR65GFLA | 20 |
| 80 | 100 | 100 | 30 | – | DR80GFLA | 20 |
| 100 | 160 | 100 | 40 | – | DR100GFLA | 30 |
| 125 | 250 | 70 | 40 | – | DR125GFLA | 30 |
| 150 | 630 | 50 | 40 | – | DR150GFLA | 40 |
| 200 | 1600 | 50 | 40 | – | DR200GFLA | 40 |
| 200 | 1000 | 50 | 40 | -- | DR200GFLA1 | 40 |

SUITABLE ACTUATORS

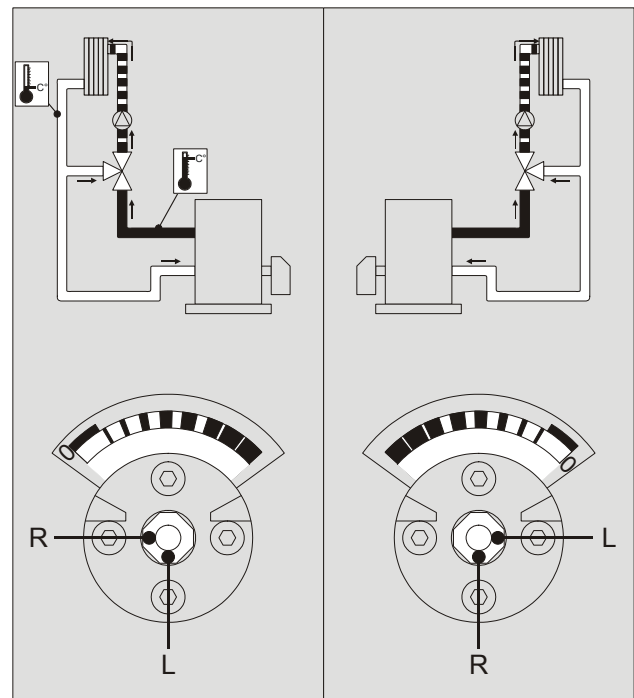
M6061A (24V; floating); M6061L (230V/240V; floating); M7061E (0/2 to 10V modulating)

| torque [Nm] | OS no. 24 Vac floating | OS no. 230 Vac floating | OS no. 0/2...10 V |
|-------------|---------------------------|----------------------------|----------------------|
| 20 | M6061A1021 / VMM20-24 | M6061L1027 / VMM20 | M7061E1020 / VRM20 |
| 30 | M6061A1039 / VMM30-24 | M6061L1035 / VMM30 | – |
| 40 | M6061A1047 / VMM40-24 | M6061L1043 / VMM40 | – |
| 40 | VMM40-24F | VMM40F | – |

OPERATION

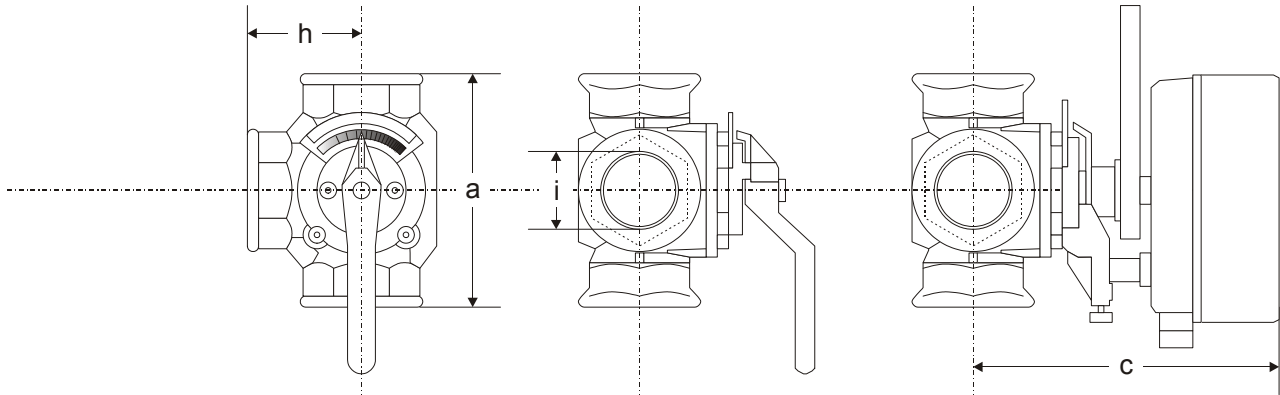
The valve controls a mixing water temperature with a rotating plug. The plug adjusts with two control curves the water flow of two inputs. The required flow water temperature is reached by adding a proportion of return water to the boiler hot water. For optimum control performance, the DR has special control characteristics.

MOUNTING



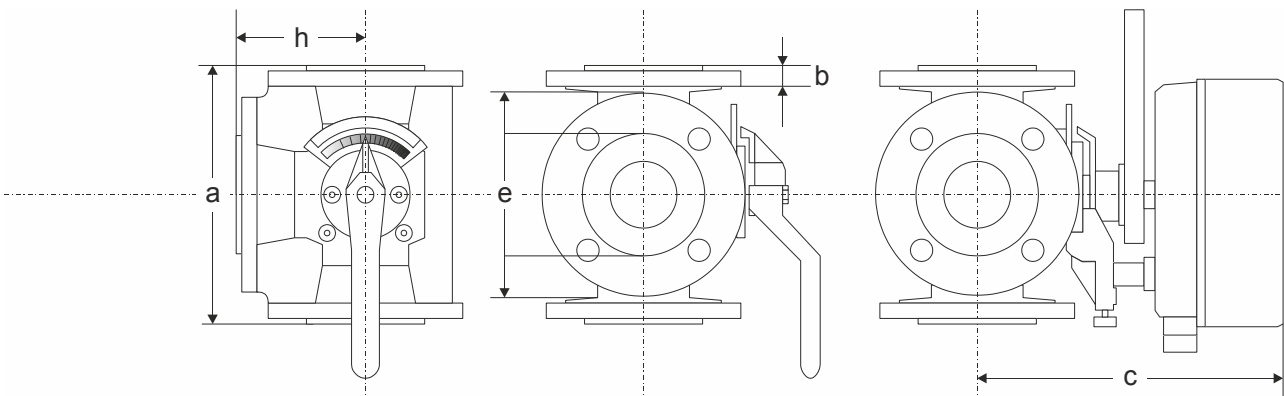
DIMENSIONS WITH DRxxGMLA (MM)

| type | DN | a | c | SW | h | i | net weight |
|----------|----|-----|-----|----|----|-----------|------------|
| DR15GMLA | 15 | 110 | 179 | 41 | 55 | R ½ in. | 2.2 kg |
| DR20GMLA | 20 | 110 | 179 | 46 | 55 | R ¾ in. | 2.3 kg |
| DR25GMLA | 25 | 115 | 179 | 50 | 58 | R 1 in. | 2.4 kg |
| DR32GMLA | 32 | 140 | 188 | 60 | 70 | R 1 ¼ in. | 4.1 kg |
| DR40GMLA | 40 | 150 | 188 | 65 | 75 | R 1 ½ in. | 4.3 kg |



DIMENSIONS WITH DRxxxGFLA (MM)

| type | DN | a | b | c | e | h | net weight |
|-----------------------|-----|-----|----|-----|-----|-----|------------|
| DR20GFLA | 20 | 140 | 15 | 179 | 90 | 70 | 3.5 kg |
| DR25GFLA | 25 | 150 | 15 | 179 | 100 | 75 | 4.0 kg |
| DR32GFLA | 32 | 160 | 17 | 188 | 120 | 80 | 6.6 kg |
| DR40GFLA | 40 | 170 | 16 | 188 | 130 | 85 | 7.1 kg |
| DR50GFLA | 50 | 190 | 16 | 202 | 140 | 95 | 9.8 kg |
| DR65GFLA | 65 | 210 | 16 | 219 | 160 | 105 | 12.3 kg |
| DR80GFLA | 80 | 250 | 18 | 219 | 190 | 125 | 21.4 kg |
| DR100GFLA | 100 | 270 | 18 | 240 | 210 | 135 | 26.5 kg |
| DR125GFLA | 125 | 310 | 20 | 267 | 240 | 155 | 42.0 kg |
| DR150GFLA | 150 | 330 | 20 | 274 | 265 | 165 | 49.0 kg |
| DR200GFLA/ DR200GFLA1 | 200 | 390 | 22 | 314 | 320 | 195 | 78.0 kg |



Honeywell

Manufactured for and on behalf of the Environmental and Combustion Controls Division of Honeywell Technologies Sàrl, Rolle, Z.A. La Pièce 16, Switzerland by its Authorized Representative:

Automation and Control Solutions

Honeywell GmbH
Böblinger Strasse 17
71101 Schönaich, Germany
Phone +49 (0) 7031 637 01
Fax +49 (0) 7031 637 740
<http://ecc.emea.honeywell.com>

EN0B-0607GE51 R0915

Subject to change without notice