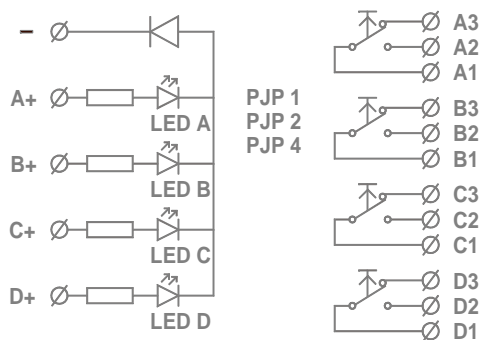


LOW VOLTAGE PUSH BUTTON PJP

PJP buttons can control low voltage devices directly and mains devices, like lights and motors, by using auxiliary relays. Exceeding the maximum current or power of the switch is not allowed.

The button includes a change-over contact and a removable clear cover. The needed text or symbol can be placed under the cover. Indicator light can be connected to the ac or dc supply. The "-" terminal is common for all the PJP 2 and PJP 4 indicator lights.

Wiring



Technical data

Switch:

U (max.)	42 Vac, 60 Vdc
I (max.)	250 mA
P (max.)	9 W

Indicator light:

luminous intensity	40 mcd/45sr
colour	green
U (max.)	24 Vac, 35 Vdc

Housing

white plastic, IP20

Ordering guide:

Model	Product number	Description
PJP 1	1185030	1 button and 1 indicator light
PJP 2	1185031	2 buttons and 2 indicator lights
PJP 4	1185032	4 buttons and 4 indicator lights

Products fulfil the requirements of directive 2004/108/EY and are in accordance with the standards EN61000-6-3: 2001 (Emission) and EN61000-6-2: 2001 (Immunity).