

VFG54 LON

Contact temperature sensor

thermokon
Sensortechnik GmbH

Datasheet

Subject to technical alteration
Issue date: 14.07.2015



Application

Contact temperature sensor for measurement of pipes and round surfaces. Spring loaded brass contact sensor. Designed for control and monitoring applications.

Types available

VFG54 LON active, with output LON

Security Advice – Caution



The installation and assembly of electrical equipment should only be performed by authorized personnel.

The product should only be used for the intended application. Unauthorised modifications are prohibited! The product must not be used in relation with any equipment that in case of failure may threaten, directly or indirectly, human health or life or result in danger to human beings, animals or assets. Ensure all power is disconnected before installing. Do not connect to live/operating equipment.

Please comply with

- Local laws, health & safety regulations, technical standards and regulations
- Condition of the device at the time of installation, to ensure safe installation
- This data sheet and installation manual



Notes on Disposal

As a component of a large-scale fixed installation, Thermokon products are intended to be used permanently as part of a building or a structure at a pre-defined and dedicated location, hence the Waste Electrical and Electronic Act (WEEE) is not applicable. However, most the product may contain valuable materials that should be recycled and not disposed of as domestic waste. Please note the relevant regulations for local disposal.

Build-up of Self-Heating by Electrical Dissipative Power

Temperature sensors with electronic components always have a dissipative power, which affects the temperature measurement of the ambient air. The dissipation in active temperature sensors shows a linear increase with rising operating voltage. This dissipative power has to be considered when measuring temperature. In case of a fixed operating voltage ($\pm 0,2$ V) this is normally done by adding or reducing a constant offset value. As Thermokon transducers work with a variable operating voltage, only one operating voltage can be taken into consideration, for reasons of production engineering. Transducers 0..10 V / 4..20 mA have a standard setting at an operating voltage of 24 V =. That means, that at this voltage, the expected measuring error of the output signal will be the least. For other operating voltages, the offset error will be increased by a changing power loss of the sensor electronics. If a re-calibration should become necessary later directly on the sensor, this can be done by means of a trimming potentiometer on the sensor board.

Remark: Occurring draft leads to a better carrying-off of dissipative power at the sensor. Thus temporally limited fluctuations might occur upon temperature measurement.

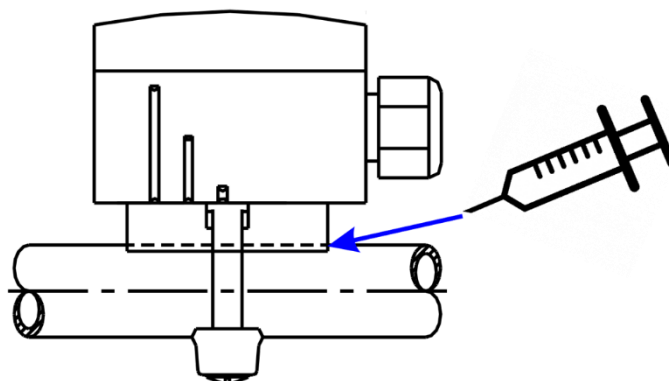
Technical Data

Measuring values	Temperature
Network technology	LON FTT (free topology)
Power supply	15..24 V = ($\pm 10\%$) or 24 V ~ ($\pm 10\%$)
Power consumption	typ. 0,5 W (24 V =) 1,7 VA (24 V ~)
Measuring range temperature	-45..+130 °C
Accuracy temperature	$\pm 0,5$ K (typ. at 21 °C)
Enclosure	PA6, pure white
Protection	IP65 according to EN 60529
Cable entry	M20 for wire max. $\varnothing=8$ mm , seal insert for double cable entry for wire max. $\varnothing=6$ mm
Connection electrical	terminal block max. 1,5 mm ² , 4-wire
Pocket	brass, spring loaded sensor
Ambient condition	enclosure: -35..+70 °C, max. 85% rH non-condensing
Weight	130 g

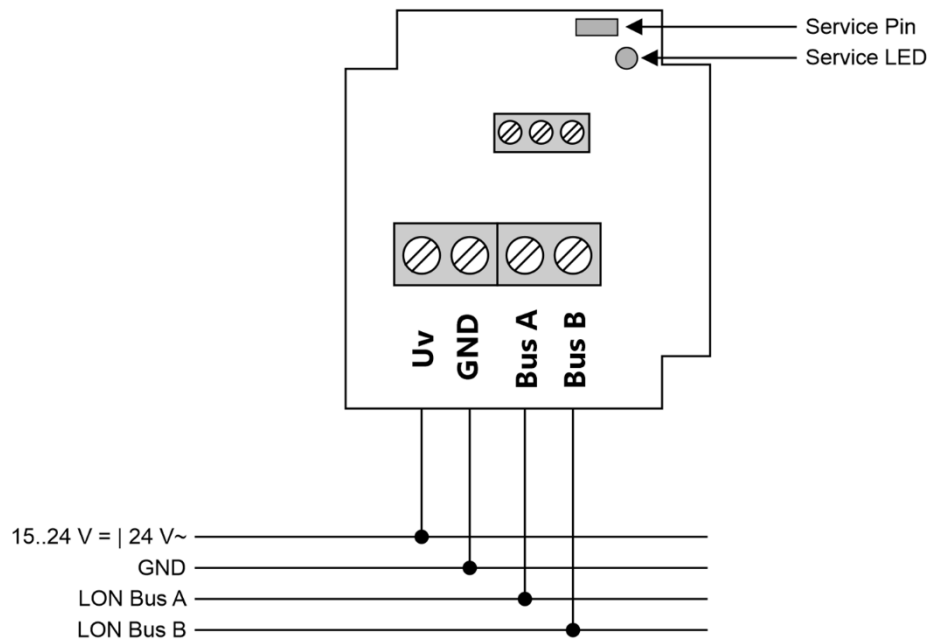
Mounting Advices

The device is fixed using the tightening strap. **Use contact fluid for better heat transfer between sensor and measuring medium.**

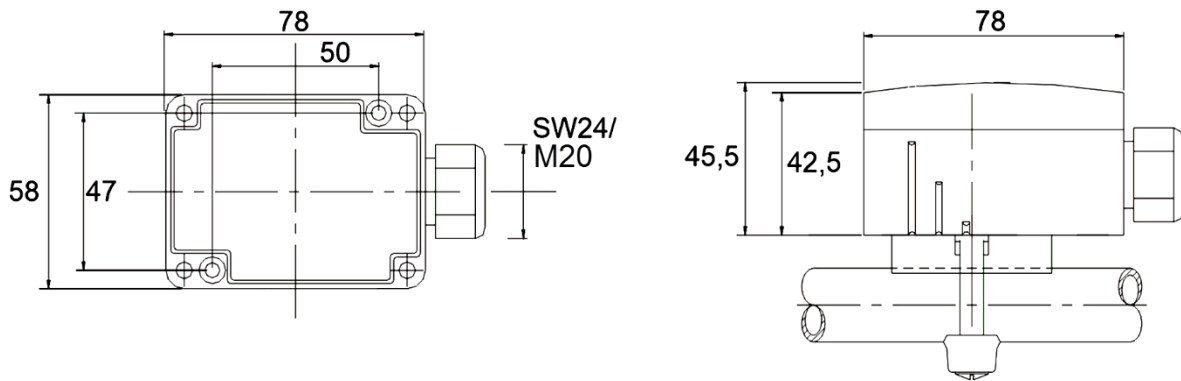
To avoid permeation of condensate, mount the sensor on top of the tube, if possible.



Terminal Connection Plan



Dimensions (mm)



Accessories

- | | |
|--|-----------------|
| Tightening strap 2" with contact fluid | Item No. 102254 |
| Tightening strap 900 mm with contact fluid | Item No. 102315 |