

L-GATE

LGATE-900 CEA-709/BACnet Gateway

Installation instructions

Instructions de montage

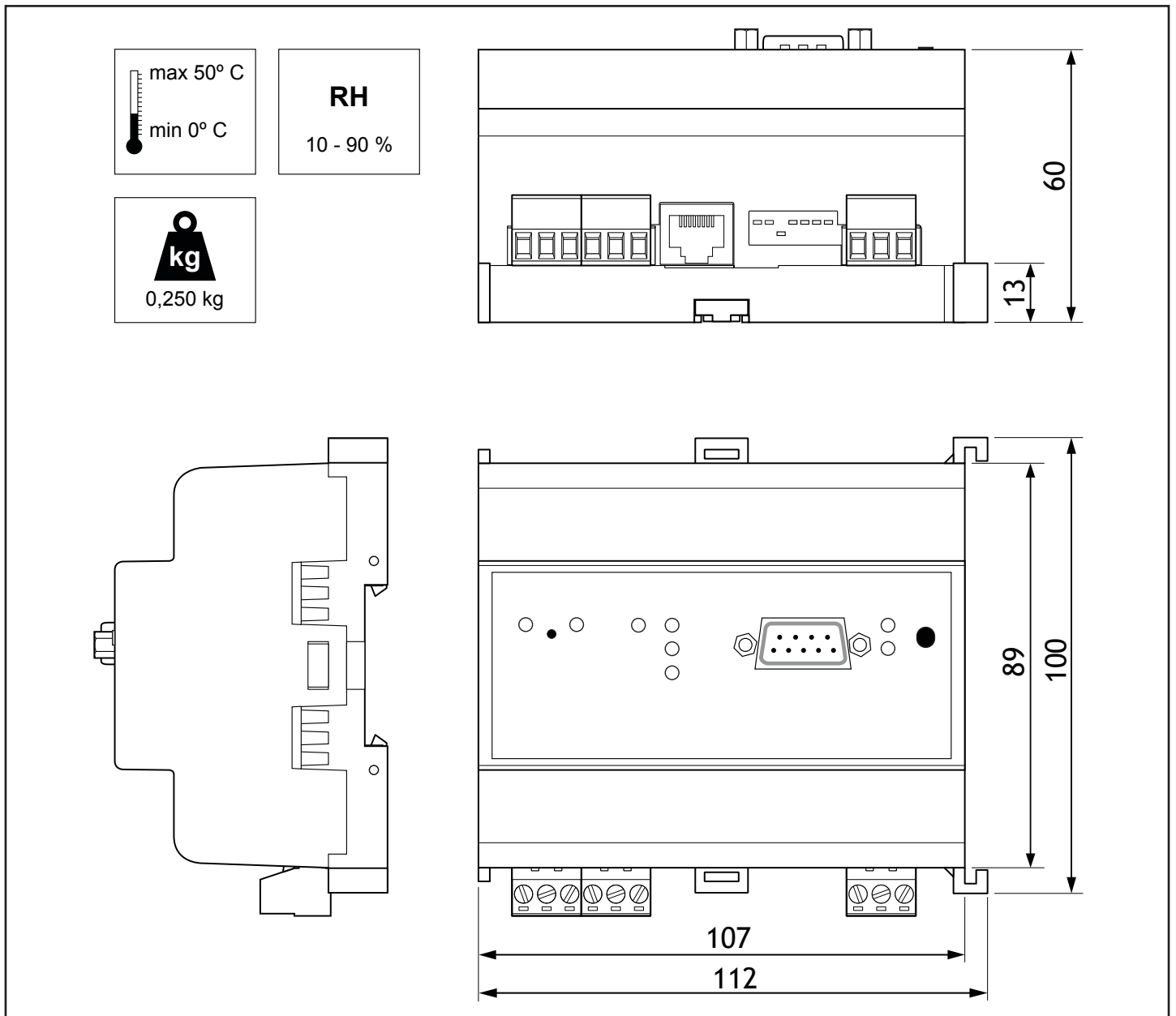
Montageanweisung

Montagevoorschrift

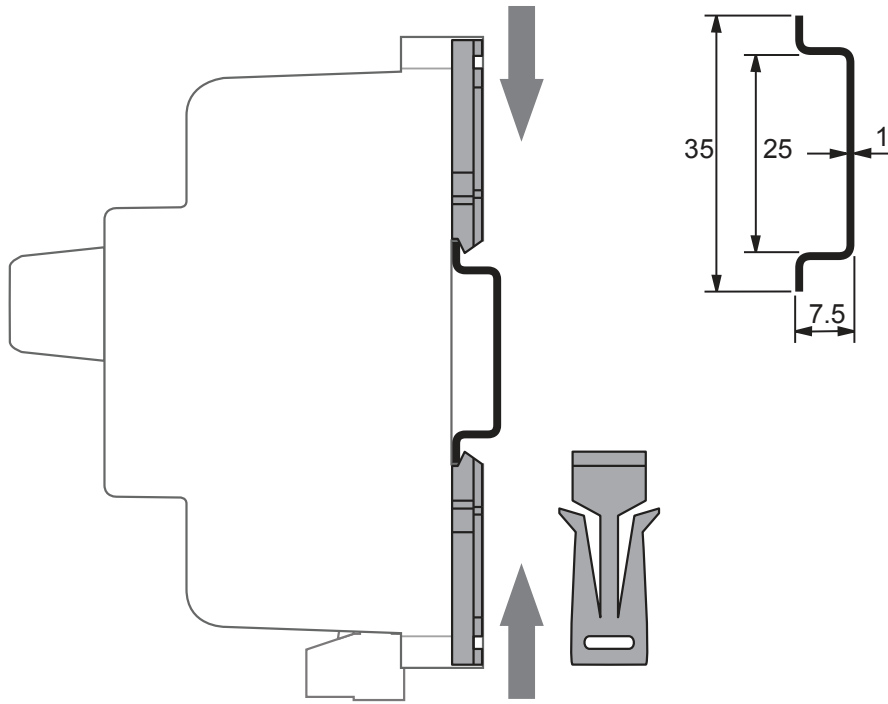
Istruzioni di montaggio

Instrucciones de montaje

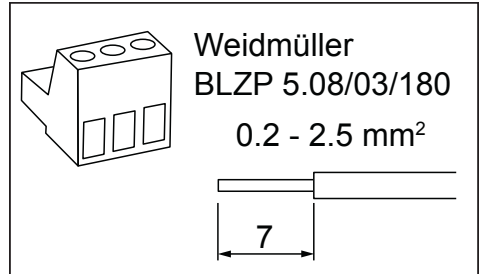
Monteringsanvisning

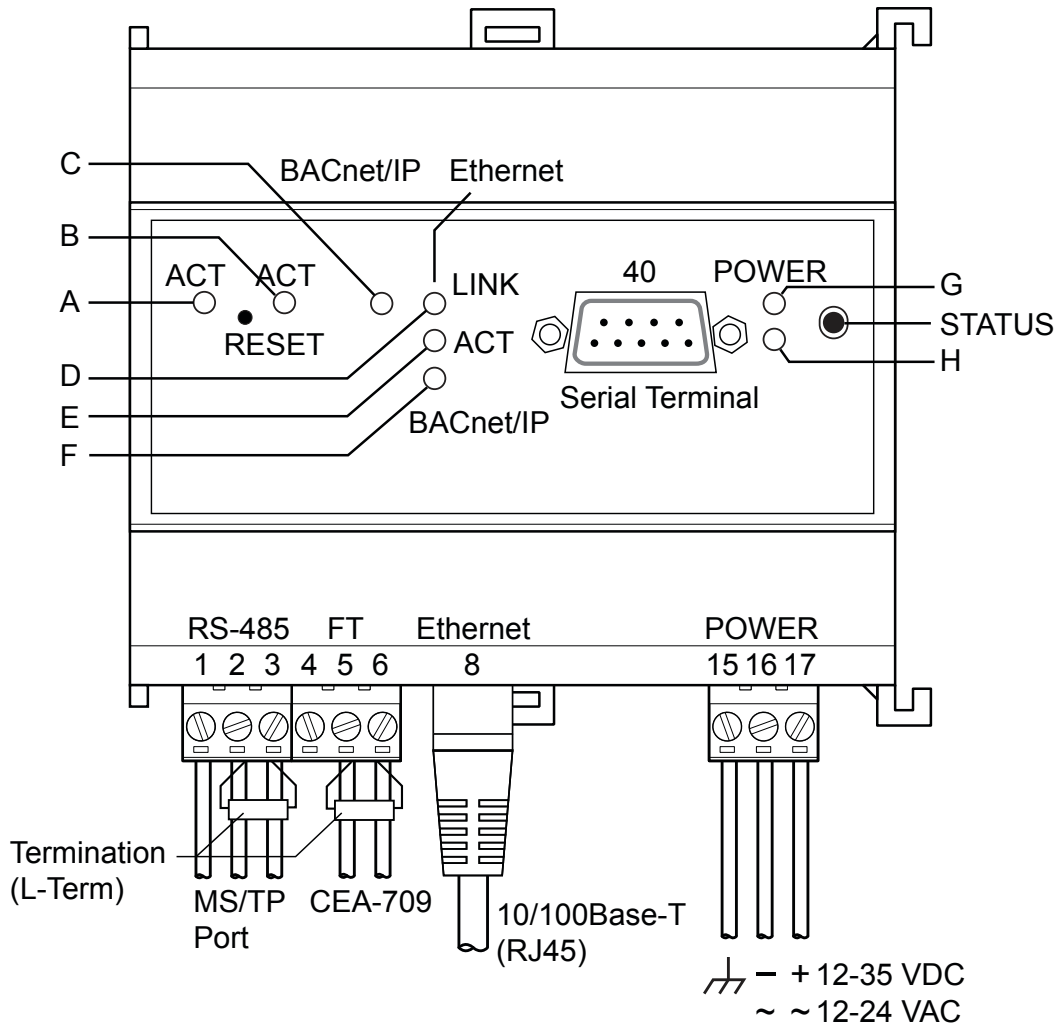


35 mm x 7.5 mm DIN rail (EN 50022, BS 5584, DIN 46277-3)



<http://192.168.1.254>
User: admin
Password: loytec4u





Connectors

MS/TP	1	Input GND
	2	Input + (B) non-inverting input
	3	Input - (A) inverting input
CEA-709	4	Input EARTH GND
	5	Input B
	6	Input A
Ethernet	8	10/100Base-T (RJ45)
POWER	15	Power supply input EARTH GND
	16	Power supply input MINUS
	17	Power supply input PLUS
		⚠ Do NOT be connect to EARTH GND
SERIAL	40	EIA-232 (DB9 male)

Buttons

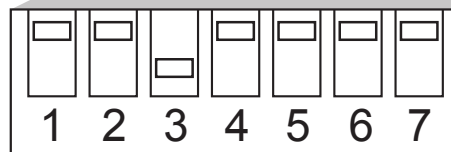
RESET	Reset
STATUS	Send "I AM" message

Status LEDs

A	Green flashing fast	Traffic on MS/TP port
B	Green flashing fast	Traffic on CEA-709 port
	Green flashing at 1 HZ	Port not commissioned
	Red permanent	CEA-709 port damaged
C	Red flashing fast	Traffic overload on port
	Green	IP port is fully functional
	Yellow	IP port functional but config. is not up-to-date
	Red	IP port is non-functional
D	Flashing at 1 Hz	IP port is not commissioned
	OFF	IP port is not active
	Green	Ethernet link
E	Green flashing	Ethernet traffic
F	Green	BACnet IP enabled
G	Green	Power
H	OFF	Normal operation

NOTE: If terminal 1 is not connected make a short between terminal 15 and 16, and connect to EARTH GND.

Serial Port



OFF
ON

7	Serial Port
OFF	Terminal Mode
ON	M-Bus Mode

Factory default, do not change!

1	2	3	4	5	6
OFF	OFF	ON	OFF	OFF	OFF

MAC address of Ethernet port

Serial number of the device

