



CCID1445

IP High-Speed Dome Cameras

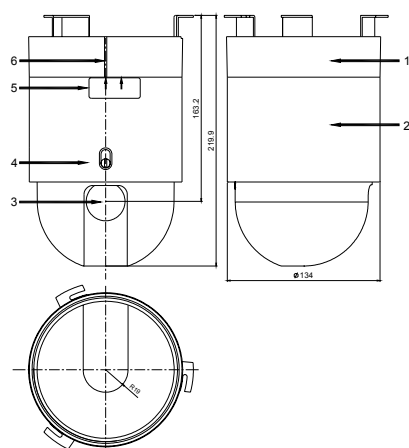
H.264, MPEG-4, MJPEG



CCID1445-ST18
CCID1445-DN18
CCID1445-DN26
CCID1445-DN36

H.264, MPEG-4 & MJPEG triple encoding functionality allows the use of the Siemens IP high-speed dome cameras in almost every networking application. The Siemens IP high-speed dome camera range includes one colour model and three day/night models with exceptional low-light performance. A mechanically removable IR-cut filter allows the day/night dome cameras to provide excellent colour picture quality in day mode and IR-sensitive crisp, clear monochrome images at night. A wide range of accessories is available and will meet most installation requirements.

- H.264, MPEG-4 & MJPEG triple encoding
- Hybrid video: CVBS: up to 530 TV lines, Network: D1, VGA, QVGA @ max. 25 ips
- Bidirectional monaural audio
- ONVIF protocol support
- High-speed dome camera (pan speed max. 400 °/s)
- D/N models support Wide Dynamic function
- Exceptional Low-Light Sensitivity : 0.7 lux @ colour / 0.01 lux @ b&w (IR-sensitive)
- Up to 36x optical zoom (3.4 – 122.4 mm), 12x digital zoom
- Motion detection
- Object tracking
- Support of up to 5 video cropping areas
- 2 GB microSD card for local alarm recording
- 8 user-definable privacy zones
- Programmable tours and presets
- 4 alarm inputs with AAM function (Advanced Alarm Management)
- Proportional zoom speed
- 24 V AC power supply & PoE+
- Wide range of accessories



Legend

- 1 Dome IP base
- 2 Dome Head-unit
- 3 Lens
- 4 Screw for cover
- 5 Positioning label
- 6 Notch

■ Details for ordering

Type	Part no	Designation	Weight
CCID1445-ST18	S54561-C30-A1	1/4" IP High Speed Dome Colour 18x optical zoom	1.58 kg
CCID1445-DN18	S54561-C31-A1	1/4" IP High Speed Dome D/N 18x optical zoom	1.58 kg
CCID1445-DN26	S54561-C32-A1	1/4" IP High Speed Dome D/N 26x optical zoom	1.58 kg
CCID1445-DN36	S54561-C33-A1	1/4" IP High Speed Dome D/N 36x optical zoom	1.58 kg

■ Technical data

	CCID1445-ST18	CCID1445-DN18	CCID1445-DN26	CCID1445-DN36
Electrical				
Power requirements	24 V AC \pm 10 %, 50 Hz; PoE+			
Power consumption	25 VA			
Functional				
Pan speed	0.1 – 90.0 °/s Max. dig. zoom: 0.1 °/s Max. opt. zoom: 0.4 °/s			
Tilt speed	0.1 – 45.0 °/s Max. dig. zoom: 0.1 °/s Max. opt. zoom: 0.4 °/s			
Preset pan/tilt speed	Pan: max. 400 °/s Tilt: max. 200 °/s			
Speed control	Zoom-proportional: On/Off			
Pan travel	360° continuous rotation			
Tilt travel	Indoor: 85° Outdoor: 92°			
Pan/tilt limits	User-definable			
Zoom total	216x	216x	312x	432x
Auto flip	On/Off			
Optical zoom	18x	18x	26x	36x
Digital zoom	12x			
Zoom stop	18x, 36x, 72x, 144x, 216x	18x, 36x, 72x, 144x, 216x	26x, 52x, 104x, 208x, 312x	36x, 72x, 144x, 288x, 432x
Programmable presets	64			

	CCID1445-ST18	CCID1445-DN18	CCID1445-DN26	CCID1445-DN36
Programmable tours			4	
Programmable privacy zones			8	
Scan function	Selectable: random, frame or auto-scan			
Synchronisation	Internal: crystal External: line lock; phase adjustable			
Alarm inputs	4 (linked to definable functions)			
Alarm outputs	1 (NO/NC)			
Motion detection	Yes			
Object tracking	Yes			
Preset characters	Max. 20			
Camera				
Image sensor	1/4" Super-HAD CCD	1/4" Ex-View CCD	1/4" Ex-View CCD	1/4" Ex-View CCD
Pixels	752 H x 582 V			
Television standard	PAL, 625 lines, 50 fields/s	PAL, 625 lines, 50 fields, 25 frames, 2:1	PAL, 625 lines, 50 fields, 25 frames, 2:1	PAL, 625 lines, 50 fields, 25 frames, 2:1
Interlace	Horizontal: 15.625 kHz Vertical: 50 Hz			
Analog video output	1.0 V _{pp} , 75 Ω			
Signal/noise ratio	> 50 dB (typical)			
Horizontal resolution	480 TV lines		530 TV lines	
Minimum illumination	Col.: 1.0 lx (F1.4 ; 1/50 s)	Col.: 0.7 lx (F1.4; 1/50 s) B/W: 0.01 lx (F1.4; 1/3 s)	Col.: 1.0 lx (F1.6; 1/50 s) B/W: 0.01 lx (F1.4; 1/3 s)	Col.: 1.4 lx (F1.6; 1/50 s) B/W: 0.01 lx (F1.4; 1/3 s)
White balance control	ATW (2000 – 10000 °K), automatic (3000 – 7500 °K); one push			
Automatic gain control	Yes			
AE compensation	Automatic, manual, BLC			
EV compensation	-10.5 to +10.5 dB (15 steps)			
Back light compensation (BLC)	On/Off			
Wide dynamic	—		On/Off	
Shutter speed	Auto.: 1/50 – 1/10,000 s Manual: 16 steps	Auto.: 1/1 – 1/10,000 s Manual: 22 steps	Auto.: 1/1 – 1/10,000 s Manual: 22 steps	Auto.: 1/1 – 1/10,000 s Manual: 22 steps
Auto slow shutter	—	On/Off (max. 1.0 s)	On/Off (max. 1.0 s)	On/Off (max. 1.0 s)
Focusing system	Automatic sensitivity: normal, low			
Focus type	Automatic / manual / interval / zoom trigger			
Day/night function	—	Mechanical IR-cut filter (automatic/off)	Mechanical IR-cut filter (automatic/off)	Mechanical IR-cut filter (automatic/off)
Privacy zones	8, user-definable			
Lens				
Focal length	4.1 – 73.8 mm	4.1 – 73.8 mm	3.5 – 91.0 mm	3.4 – 122.4 mm
Angle of view	2.8 – 48.0°	2.8 – 48.0°	2.2 – 54.2°	1.7 – 57.8°
Maximum relative aperture	F1.4 – F3.0	F1.4 – F3.0	F1.6 – F3.8	F1.6 – F4.5

Network	
Network interface	10BASE-T / 100BASE-TX
Image compression	MJPEG / MPEG-4 / H.264 (triple encoding)
Resolution	MJPEG : D1(720 x 576) / VGA (640 x 480) / QVGA (320 X 240): max. 25 ips (PAL) MPEG-4: D1(720 x 576) / VGA (640 x 480) / QVGA (320 X 240): max. 25 ips (PAL) H.264 : D1(720 x 576) / VGA (640 x 480) / QVGA (320 X 240): max. 25 ips (PAL)
Image quality setting	5 levels
Protocols	TCP/IP, UDP, HTTP, HTTPS, SMTP, SNMP, DNS, DHCP, NTP, ARP, ICMP, FTPc, FTPs, DDNS, RTSP (RTP, RTCP), IGMP v3, UpnP, CIFS, NFS, IEC802.1x, ONVIF
Security	Multiple password for admin, advanced and standard users
Audio	2-way audio, monaural
Alarm memory	Support of up to 2 GB microSD card (2 GB microSD card included at delivery)
Web browser	Internet Explorer 6.0 (Service Pack 2 or above) / Safari / Mozilla FireFox
Middle-ware	Active-X
Concurrent user	Less than 20 clients by HTTP (depends on network conditions)
Mechanical / environmental	
Dimensions (Ø x H)	134.0 x 219.9 mm
Weight	1.85 kg
Ambient temperature, operating	0 – 50 °C (-30 to +50 °C with suitable weatherproof housing)
Ambient temperature, storage	-20 to +60 °C

The information in this document contains general descriptions of technical options available, which do not always have to be present in individual cases. The required features should therefore be specified in each individual case at the time of closing the contract.

© Siemens AG • Document no. A6V10314912 • Edition: 29.04.2010

Siemens AG
Siemensallee 84
D-76187 Karlsruhe
Tel. +49 721 595 1