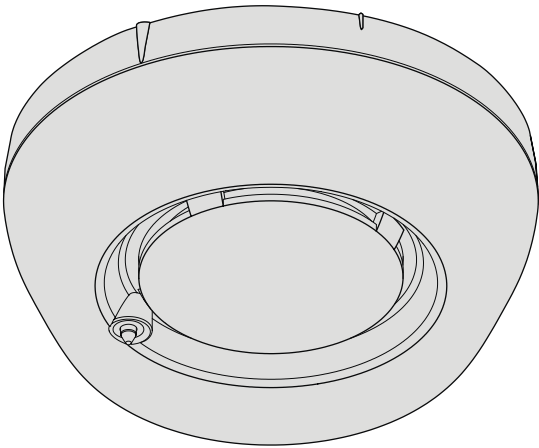


SIEMENS



FDS229

**Alarm sounder with
supplementary optical indication**

Technical Manual

Legal notice

Technical specifications and availability subject to change without notice.

© 2007-2014 Copyright by Siemens Switzerland Ltd

Transmittal, reproduction, dissemination and/or editing of this document as well as utilization of its contents and communication thereof to others without express authorization are prohibited. Offenders will be held liable for payment of damages. All rights created by patent grant or registration of a utility model or design patent are reserved.

Issued by:

Siemens Switzerland Ltd.

Infrastructure & Cities Sector

Building Technologies Division

International Headquarters

Gubelstrasse 22

CH-6301 Zug

Tel. +41 41 724-2424

www.siemens.com/buildingtechnologies

Edition: 2014-02-10

Document ID: 010095_k_en_--

Table of contents

1	About this document.....	5
1.1	Applicable documents.....	7
1.2	Download center.....	7
1.3	Technical terms.....	7
1.4	History of changes.....	8
2	Safety.....	10
2.1	Safety instructions.....	10
2.2	Safety regulations for the method of operation.....	12
2.3	Standards and directives complied with.....	14
2.4	Release Notes.....	14
3	Structure and function.....	15
3.1	Overview.....	15
3.1.1	Details for ordering.....	16
3.1.2	Product version ES.....	16
3.2	Function.....	17
3.2.1	Escalation levels and sound levels.....	17
3.2.2	Line separator.....	18
3.2.3	Behavior in degraded mode.....	18
3.2.4	Interface to service devices.....	18
3.2.5	Diagnosis levels.....	18
3.3	Accessories.....	19
3.3.1	Addressable detector base FDB221/FDB221-AA.....	19
3.3.2	Addressable detector base, flat FDB222.....	20
3.3.3	Sealing kit FDBZ295.....	20
3.3.4	Base attachment FDB291.....	20
3.3.5	Base attachment wet FDB295.....	21
3.3.6	Protective cage DBZ1194.....	21
3.3.7	Detector heating unit FDBH291.....	21
3.3.8	Designation plate FDBZ291.....	22
3.3.9	Designation plate DBZ1193A.....	22
3.3.10	Detector locking device FDBZ293.....	22
3.3.11	Dummy detector FDX291.....	23
3.3.12	Micro terminal DBZ1190-AA.....	23
3.3.13	Connection terminal DBZ1190-AB.....	23
3.3.14	M20 x 1.5 metal cable gland.....	23

4	Project engineering	24
4.1	Compatibility.....	24
4.2	Ranges of application	24
4.3	Installation site.....	25
4.4	Limitations	25
4.5	Configuration.....	25
	4.5.1 Alarm sounder	26
	4.5.2 Optical display	27
5	Mounting / Installation.....	28
5.1	Base attachment FDB291.....	30
5.2	Base attachment wet FDB295	30
5.3	Sealing kit FDBZ295.....	33
5.4	Detector locking device FDBZ293.....	35
5.5	Designation plate FDBZ291	36
5.6	Designation plate DBZ1193A.....	36
5.7	Detector heating unit FDBH291	37
	5.7.1 Installation of the detector heating unit	37
	5.7.2 Connection of the detector heating unit	38
5.8	Protective cages.....	39
	5.8.1 Installation of the protective cages	39
6	Commissioning.....	40
7	Maintenance / Repair.....	41
7.1	Status query	41
7.2	Function check	41
8	Specifications	42
8.1	Technical data.....	42
8.2	Dimensions	45
8.3	Environmental compatibility and disposal	45
9	Annex technical data.....	46
9.1	Tones and sound levels of the alarm sounder (DC 32 V).....	46
9.2	Beam characteristics of the additional optical indicator.....	48
	9.2.1 FDS229-R, red (32 VDC).....	49
	9.2.2 FDS229-A, orange (32 VDC)	50
	Index	51

1 About this document

Goal and purpose

This document contains all necessary information on the alarm sounder with additional optical indicator FDS229. Following the instructions consistently will ensure that the product can be used safely and without any problems.

Target groups

The information in this document is intended for the following target groups:

Target group	Activity	Qualification
Product Manager	<ul style="list-style-type: none"> ● Is responsible for information passing between the manufacturer and regional company. ● Coordinates the flow of information between the individual groups of people involved in a project. 	<ul style="list-style-type: none"> ● Has obtained suitable specialist training for the function and for the products. ● Has attended the training courses for Product Managers.
Project Manager	<ul style="list-style-type: none"> ● Coordinates the deployment of all persons and resources involved in the project according to schedule. ● Provides the information required to run the project. 	<ul style="list-style-type: none"> ● Has obtained suitable specialist training for the function and for the products. ● Has attended the training courses for Project Managers.
Installation personnel	<ul style="list-style-type: none"> ● Assembles and installs the product components at the place of installation. ● Carries out a performance check following installation. 	<ul style="list-style-type: none"> ● Has received specialist training in the area of building installation technology or electrical installations.
Commissioning personnel	<ul style="list-style-type: none"> ● Configure the product at the place of installation according to customer-specific requirements. ● Check the product operability and release the product for use by the operator. ● Searches for and corrects malfunctions. 	<ul style="list-style-type: none"> ● Has obtained suitable specialist training for the function and for the products. ● Has attended the training courses for commissioning personnel.
Maintenance personnel	<ul style="list-style-type: none"> ● Carries out all maintenance work. ● Checks that the products are in perfect working order. ● Searches for and corrects malfunctions. 	<ul style="list-style-type: none"> ● Has obtained suitable specialist training for the function and for the products.

Reference document and source language

- The source language of this document is German (de).
- The reference version of this document is the international version in English. The international version is not localized.

The reference document has the following designation:

ID_x_en_--

x = version, en = English, -- = international

Document identification

The document ID is structured as follows:

ID code	Examples
ID_ModificationIndex_Language_COUNTRY -- = multilingual or international	A6V10215123_a_de_DE A6V10215123_a_en_-- A6V10315123_a_--_--

Date format

The date format in the document corresponds to the recommendation of international standard ISO 8601 (format YYYY-MM-DD).

Conventions for text marking

Markups

Special markups are shown in this document as follows:

▷	Requirement for a behavior instruction
1. 2.	Behavior instruction with at least two operation sequences
–	Version, option, or detailed information for a behavior instruction
⇒	Intermediate result of a behavior instruction
⇨	End result of a behavior instruction
●	Numbered lists and behavior instructions with an operation sequence
[→ X]	Reference to a page number
'Text'	Quotation, reproduced identically
<Key>	Identification of keys

Supplementary information and tips



The 'i' symbol identifies supplementary information and tips for an easier way of working.

1.1 Applicable documents

Document ID	Title
007227	Technical manual Detector exchanger and tester FDUD292
008331	List of compatibility (for 'Sinteso™' product line)
009718	Technical Manual Intelligent detector tester FDUD293
010096	Installation Alarm sounder beacon FDS229
A6V10208532	Installation Sealing element FDBZ295
A6V10208546	Installation Detector base FDB20x/FDB201-AA, FDB22x/FDB221-AA, Base attachment FDB291, Detector designation plate FDBZ291, Dummy detector FDX291
A6V10208552	Installation Detector locking device FDBZ293
A6V10229261	List of compatibility (for 'Cerberus™ PRO' product line)
A6V10229545	Data sheet Alarm sounder with supplementary optical indication FDS229-R, FDS229-A
A6V10331076	Installation Base attachment wet FDB295, Detector designation plate DBZ1193A, Protective cage DBZ1194, EMC-protective cage FDBZ294

Please also observe the documentation for your fire detection system.

1.2 Download center

You can download various types of documents, such as data sheets, installation instructions, and license texts via the following Internet address:

<http://siemens.com/bt/download>

- Enter the document ID in the 'Find by keywords' input box.



You will also find information about search variants and links to mobile applications (apps) for various systems on the home page.

1.3 Technical terms

Term	Explanation
AI	Alarm indicator
FDnet/C-NET	Addressable detector line
ES	Product version
MC link	Maintenance and commissioning link (proximity interface)

1.4 History of changes

The reference document's version applies to all languages into which the reference document is translated.



The first edition of a language version or a country variant may, for example, be version 'd' instead of 'a' if the reference document is already this version.

The table below shows this document's history of changes:

Modification index	Edition date	Brief description
k	2014-02-10	Data sheet in 'Applicable documents' chapter added; 'Download center' chapter added; sound levels in the annex changed; base attachment wet FDB295 added as accessory; term 'sound intensity' changed to 'sound level'; protective cage DBZ1194 added; detector heating unit FDBH291 added; base attachment humid FDB293 removed
j	2013-02-22	Notice added: The additional optical display does not serve the purpose of evacuation in accordance with the area of application of EN 54-23
i	2013-01-28	Device designation changed; change to date format in line with ISO 8601 specifications (yyyy-mm-dd format)
h	2010-06	'Annex technical data' changed, editorial changes made
g	2008-02	Sound levels in the annex changed
f	2007-09	Diagnosis levels changed Escalation levels added Beacon configurations added/changed Tone 31 added
e	2007-07	Chapter 4.5.1: 'Adjustable sound levels' revised Chapter 9.1 revised
d	2007-05	Chapter 4.5.2: 'At 32 V' added Chapter 8.1 Ambient conditions: '(0° mark left or AI downwards)' added
c	2007-04	Tones nos. 5, 6, 9-11 corrected. Technical data for line separator inserted. Operating temp. red/orange different.
b	2007-04	Measured values for alarm sounder and beacon at DC 32 V (instead of DC 33 V)
a	2007-03	First edition

The table below shows the published language versions with the corresponding modification index:

Modification index	en_--	de_--	fr_--	it_--	es_--
k	X	X	X	X	X
j	X	X	X	X	X
i	-	X	-	-	-
h	X	X	X	X	X
g	X	X	-	-	-
f	X	X	-	-	-
e	X	X	-	-	-
d	X	X	-	-	-
c	X	X	-	-	-
b	X	X	X	X	X
a	X	X	X	X	X

X = published

- = no publication with this modification index

2 Safety

2.1 Safety instructions

The safety notices must be observed in order to protect people and property.

The safety notices in this document contain the following elements:

- Symbol for danger
- Signal word
- Nature and origin of the danger
- Consequences if the danger occurs
- Measures or prohibitions for danger avoidance

Symbol for danger



This is the symbol for danger. It warns of **risks of injury**.

Follow all measures identified by this symbol to avoid injury or death.

Additional danger symbols

These symbols indicate general dangers, the type of danger or possible consequences, measures and prohibitions, examples of which are shown in the following table:



General danger



Explosive atmosphere



Voltage/electric shock



Laser light



Battery



Heat


Signal word

The signal word classifies the danger as defined in the following table:

Signal word	Danger level
DANGER	DANGER identifies a dangerous situation, which will result directly in death or serious injury if you do not avoid this situation.
WARNING	WARNING identifies a dangerous situation, which may result in death or serious injury if you do not avoid this situation.
CAUTION	CAUTION identifies a dangerous situation, which could result in slight to moderately serious injury if you do not avoid this situation.
<i>NOTICE</i>	<i>NOTICE</i> identifies possible damage to property that may result from non-observance.


How risk of injury is presented

Information about the risk of injury is shown as follows:

	<p>⚠ WARNING</p>
	<p>Nature and origin of the danger Consequences if the danger occurs</p> <ul style="list-style-type: none"> • Measures / prohibitions for danger avoidance

How possible damage to property is presented

Information about possible damage to property is shown as follows:


	<p>NOTICE</p>
	<p>Nature and origin of the danger Consequences if the danger occurs</p> <ul style="list-style-type: none"> • Measures / prohibitions for danger avoidance

2.2 Safety regulations for the method of operation

National standards, regulations and legislation

Siemens products are developed and produced in compliance with the relevant European and international safety standards. Should additional national or local safety standards or legislation concerning the planning, assembly, installation, operation or disposal of the product apply at the place of operation, then these must also be taken into account together with the safety regulations in the product documentation.

Electrical installations

	▲ WARNING
	<p>Electrical voltage Electric shock</p> <ul style="list-style-type: none"> ● Work on electrical installations may only be carried out by qualified electricians or by instructed persons working under the guidance and supervision of a qualified electrician, in accordance with the electrotechnical regulations.

- Wherever possible disconnect products from the power supply when carrying out commissioning, maintenance or repair work on them.
- Lock volt-free areas to prevent them being switched back on again by mistake.
- Label the connection terminals with external external voltage using a 'DANGER External voltage' sign.
- Route mains connections to products separately and fuse them with their own, clearly marked fuse.
- Fit an easily accessible disconnecting device in accordance with IEC 60950-1 outside the installation.
- Produce earthing as stated in local safety regulations.

Assembly, installation, commissioning and maintenance

- If you require tools such as a ladder, these must be safe and must be intended for the work in hand.
- When starting the fire control panel ensure that unstable conditions cannot arise.
- Ensure that all points listed in the 'Testing the product operability' section below are observed.
- You may only set controls to normal function when the product operability has been completely tested and the system has been handed over to the customer.

Testing the product operability

- Prevent the remote transmission from triggering erroneously.
- If testing building installations or activating devices from third-party companies, you must collaborate with the people appointed.
- The activation of fire control installations for test purposes must not cause injury to anyone or damage to the building installations. The following instructions must be observed:
 - Use the correct potential for activation; this is generally the potential of the building installation.
 - Only check controls up to the interface (relay with blocking option).
 - Make sure that only the controls to be tested are activated.
- Inform people before testing the alarm devices and allow for possible panic responses.
- Inform people about any noise or mist which may be produced.
- Before testing the remote transmission, inform the corresponding alarm and fault signal receiving stations.

Modifications to the system design and the products

Modifications to the system and to individual products may lead to faults, malfunctioning and safety risks. Written confirmation must be obtained from Siemens and the corresponding safety bodies for modifications or additions.

Modules and spare parts

- Components and spare parts must comply with the technical specifications defined by Siemens. Only use products specified or recommended by Siemens.
- Only use fuses with the specified fuse characteristics.
- Wrong battery types and improper battery changing lead to a risk of explosion. Only use the same battery type or an equivalent battery type recommended by Siemens.
- Batteries must be disposed of in an environmentally friendly manner. Observe national guidelines and regulations.

Disregard of the safety regulations

Before they are delivered, Siemens products are tested to ensure they function correctly when used properly. Siemens disclaims all liability for damage or injuries caused by the incorrect application of the instructions or the disregard of danger warnings contained in the documentation. This applies in particular to the following damage:



- Personal injuries or damage to property caused by improper use and incorrect application
- Personal injuries or damage to property caused by disregarding safety instructions in the documentation or on the product
- Personal injury or damage to property caused by poor maintenance or lack of maintenance


2.3 Standards and directives complied with

A list of the standards and directives complied with is available from your Siemens contact.

2.4 Release Notes

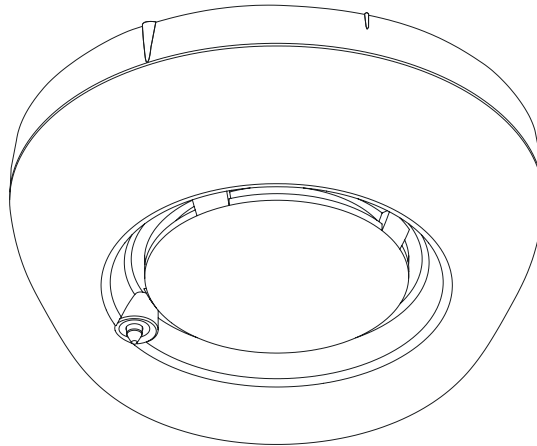
Limitations to the configuration or use of devices in a fire detection installation with a particular firmware version are possible.

	 WARNING
	<p>Limited or non-existent fire detection</p> <p>Personal injury and damage to property in the event of a fire.</p> <ul style="list-style-type: none"> • Read the 'Release Notes' before you plan and/or configure a fire detection installation. • Read the 'Release Notes' before you carry out a firmware update to a fire detection installation.

	NOTICE
	<p>Incorrect planning and/or configuration</p> <p>Important standards and specifications are not satisfied. Fire detection installation is not accepted for commissioning. Additional expense resulting from necessary new planning and/or configuration.</p> <ul style="list-style-type: none"> • Read the 'Release Notes' before you plan and/or configure a fire detection installation. • Read the 'Release Notes' before you carry out a firmware update to a fire detection installation.

3 Structure and function

3.1 Overview



View of the FDS229

The FDS229 alarm sounder with supplementary optical indication provides an acoustic alarm in an addressed FS20/FS720 fire detection system. It also features an optical display.

The loud sound of the alarm sounder can be clearly heard as a danger signal when a fire alarm sounds. The LEDs on the additional optical display also light up.

Eleven tones are programmed in the alarm sounder. Two tones can be activated for different events (e.g. alarm and evacuation). A set flashing sequence is preprogrammed in the optical signal transmitter.

The alarm sounder with supplementary optical indication is available with optical displays in various colors:

- FDS229-R with transparent red hood
- FDS229-A with transparent orange hood

Features

- Addressable on the FDnet/C-NET
- Communication with the control panel via the detector loop
- Supply via detector loop
- Compatible with
 - Addressable detector base FDB221/FDB221-AA
 - Flat, addressable detector base FDB222
 - Base attachment FDB291
 - Base attachment wet FDB295
- Integrated line separation function
- Self test function
- Sounds are synchronized with all FDSB291 alarm sounders and sounder bases on the same detector line (product version ≥ 30 and higher)
- Additional optical display

3.1.1 Details for ordering

Type	Order no.	Designation
FDS229-R	A5Q00023093	Alarm sounder with additional optical indicator, red
FDS229-A	A5Q00023092	Alarm sounder with additional optical indicator, orange

3.1.2 Product version ES

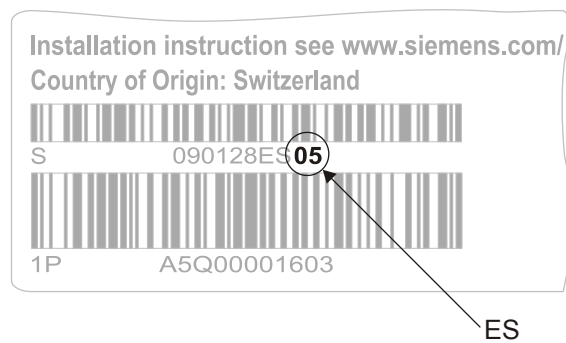
The product version ES provides the technical status of a device in terms of software and hardware. The product version is provided as a two-digit number.

You will find the details of your device's product version:

- On the packaging label
- On the product label or the type plate

Product version on the packaging label

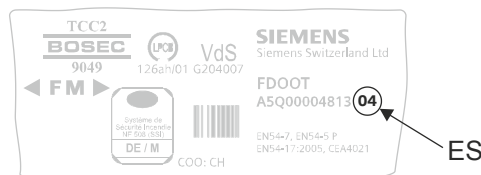
Details of the product version can be found directly on the packaging label in the barcode:



Example of a packaging label with details of the product version

Product version on the product label and the type plate

Details of the product version can be found after the device order number:



Example of a product label with details of the product version



Depending on the product and various approvals, the product labels may differ in terms of the information type and layout.

Look for your device's order number on the product label.

You will find the product version after the order number.

3.2 Function

3.2.1 Escalation levels and sound levels

The alarm sounder with additional optical display can be activated for the following selectable escalation levels:

- Warning (Alert)
- Evacuation (EVAC)

The tone can be configured individually for the two selectable escalation levels and the sound level can be configured by device. Different tones are available, each with three sound levels.

The additional optical display has a set flashing frequency of approx. 0.8 Hz and can be used as follows:

Control panel	Configuration of the additional optical display	Description
FC20 MP1.1	Not configurable (display activation always with both escalation levels)	The additional optical display also flashes whenever the alarm sounder is active.
From FC20 MP1.2	Display activation with both escalation levels (default)	The additional optical display also flashes whenever the alarm sounder is active (as with MP1.1).
	Display activation only with 2nd escalation level (evacuation)	The additional optical display flashes as well only when 'Evacuation' is configured.
	Display activation only with degraded fire alarm	The additional optical display is only activated with a degraded fire alarm.
	Switched off	The additional optical display is never activated, i.e., the FDS229 behaves like an FDS221.



The additional optical display does not serve the purpose of evacuation in accordance with the area of application of EN 54-23.



The degraded fire alarm is a fire alarm which occurs during degraded mode operation of the fire control panel. Degraded mode operation is a defined reduced operating mode which occurs when part of the fire detection installation fails.

See also

- 📄 Alarm sounder [→ 26]
- 📄 Behavior in degraded mode [→ 18]

3.2.2 Line separator

All FDnet/C-NET devices are equipped with a line separator.

The FDnet/C-NET device is equipped with electronic switches which isolate the defective part in case of a short-circuit on the FDnet/C-NET detector line. The rest of the detector line remains serviceable. On a loop line all FDnet/C-NET devices remain fully functional after a simple error.

3.2.3 Behavior in degraded mode

Applicable for the FDnet/C-NET:

When the main processor of the fire control panel fails, the control panel is in degraded mode operation. Depending on the control panel type, the fire control panel can continue to perform the most important alarming and signaling functions in degraded mode operation.

Alarm sounders are also activated and deactivated in case of a fire alarm in degraded mode.

Degraded mode operation on the FDnet/C-NET is not supported in the same way by all control panels. The information in the 'List of compatibility' and in the corresponding control panel documentation must be taken into account during project planning.

3.2.4 Interface to service devices

A proximity interface (MC link) is available for commissioning and maintenance in order to communicate with the detector exchanger and tester FDUD292 and the intelligent detector tester FDUD293.

You will find more information in documents 007227 and 009718.



Status queries with detector exchanger and tester FDUD292 or intelligent detector tester FDUD293 are only possible with devices of the 'Sinteso' product line on the FDnet.

3.2.5 Diagnosis levels

The device largely monitors its function by itself. The following diagnosis levels are taken from the different control measuring processes:

- Normal
- Fault

For details, see table below.

When a fatal error occurs, which impairs the proper function of the alarm sounder, a fault message is signaled.

To correct the cause of the fault, additional information is available in the device. The additional information can be displayed using e.g. the detector exchanger and tester FDUD292 or the intelligent detector tester FDUD293.

You will find more information in documents 007227 and 009718.

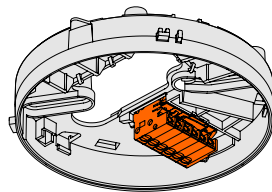
Display	Meaning	Measures
'no deviation'	Normal, no fault is present The alarm sounder is fully functional	None
Any fault message	Fault present <ul style="list-style-type: none"> ● Invalid parameter settings ● Alarm function no longer ensured (Piezo element defective) 	<ul style="list-style-type: none"> ● Set valid parameters ● Replace alarm sounder
	Supply error	<ul style="list-style-type: none"> ● Check detector line voltage ● Exchange device
	Software error (Watchdog error)	Exchange device
	Memory error	Exchange device
	Communication error involving device and control panel	Remedy cause



The status 'Any fault message' can be displayed together with another status, e.g. 'needed excha.' (replacement necessary).

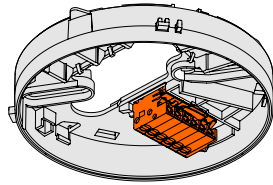
3.3 Accessories

3.3.1 Addressable detector base FDB221/FDB221-AA



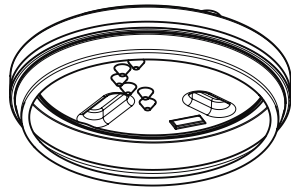
- For the installation of point detectors and alarm sounders
- For the recess-mounted cable entry
- For surface-mounted cable entry, up to 6 mm cable diameter
- Orange terminal block
- Detector base FDB221-AA additionally with a micro terminal
- Compatible with:
 - Point detectors from the 'Sinteso' product line, not with 'Sinteso' in 'collective' mode
 - Alarm sounder FDS221
 - Alarm sounder with additional optical indicator FDS229
 - Sounder interbase FDSB221
 - Sounder interbase with additional optical indicator FDSB229
- Order no. FDB221: A5Q00001664
- Order no. FDB221-AA: A5Q00012741

3.3.2 Addressable detector base, flat FDB222



- For the installation of point detectors and alarm sounders
- For the recess-mounted cable entry
- Directly attached to the mounting surface
- Orange terminal block
- Compatible with:
 - Point detectors from the 'Sinteso' product line, not with 'Sinteso' in 'collective' mode
 - Alarm sounder FDS221
 - Alarm sounder with additional optical indicator FDS229
 - Sounder interbase FDSB221
 - Sounder interbase with additional optical indicator FDSB229
 - Air sampling smoke detection kit FDBZ290
- Order no.: S54319-F1-A1

3.3.3 Sealing kit FDBZ295

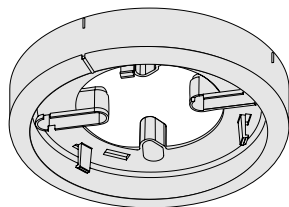


- To protect an alarm sounder or point detector against dirt and splash water
- Cannot be used in conjunction with designation plate FDBZ291
- A detector base FDB2x1 or FDB2x1-AA must be used in addition to the alarm sounder or point detector
- Compatible with:
 - Point detectors from the 'Sinteso' product line
 - Alarm sounder FDS221
 - Alarm sounder with additional optical indicator FDS229
- Order no.: S54319-F10-A1

See also

📄 Sealing kit FDBZ295 [→ 33]

3.3.4 Base attachment FDB291

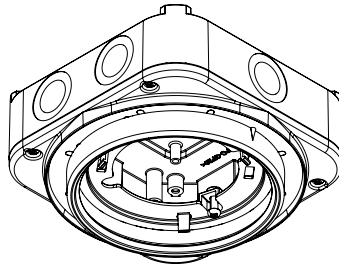


- For the surface-mounted cable entry, as of 6 mm cable diameter
- Compatible with:
 - Detector base FDB2x1/FDB2x1-AA
 - Flat detector base FDB2x2
- Order no.: A5Q00001603

See also

📄 Base attachment FDB291 [→ 30]

3.3.5 Base attachment wet FDB295

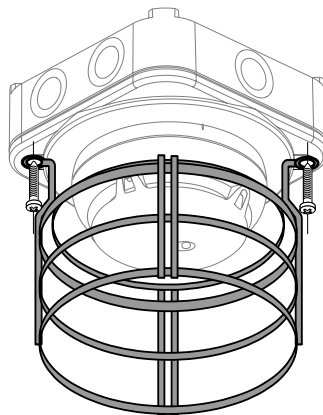


- For installation in humid, wet environments and if the detector heating unit is used
- Maximum protection category achievable: IP54
- Six break-out points for M20 x 1.5 metal cable glands
- Compatible with:
 - Detector base FDB201/FDB221
 - Flat detector base FDB222
 - Detector heating unit FDBH291
 - Designation plate DBZ1193A
 - M20 x 1.5 metal cable gland
- Order no.: S54319-F21-A1

See also

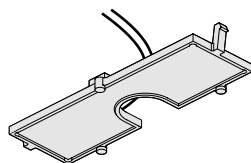
📄 Base attachment wet FDB295 [→ 30]

3.3.6 Protective cage DBZ1194



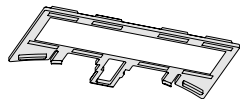
- To protect the devices against mechanical damage
- Can only be used in conjunction with the following accessories:
 - Base attachment wet FDB295
 - Base attachment wet BA721
- Order no.: BPZ:4677110001

3.3.7 Detector heating unit FDBH291



- For operating point detectors in critical ambient conditions during icy conditions or when there is a danger of moisture condensation
- Compatible with:
 - Addressable detector base FDB2x1/FDB2x1-AA
 - Flat detector base FDB2x2
 - Base attachment wet FDB295/BA721
- Order no.: A5Q00004439

3.3.8 Designation plate FDBZ291

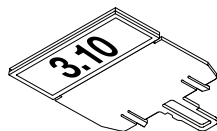


- To identify the location
- Compatible with:
 - Detector base FDB2xx/-AA
 - Detector base FDB271
 - Sounder base FDSB29x
 - Base attachment FDB291
- Order no.: A5Q00002621

See also

📄 Designation plate FDBZ291 [→ 36]

3.3.9 Designation plate DBZ1193A

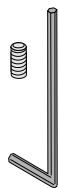


- To identify the location
- Compatible with:
 - Base attachment wet FDB295/BA721
 - Base attachment, surface-mounted, humid DBZ1192
 - DBW1171 base
 - Sounder interbase DBS721
 - Sounder interbase with additional optical indicator DBS729
- Order no.: BPZ:4864330001

See also

📄 Designation plate DBZ1193A [→ 36]

3.3.10 Detector locking device FDBZ293

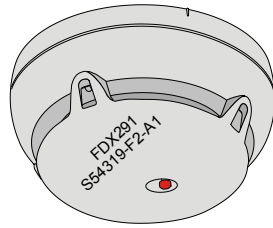


- For protection against theft
- Compatible with:
 - Point detectors from the 'Sinteso' product line
 - Alarm sounder FDS221
 - Alarm sounder with additional optical indicator FDS229
 - Wireless alarm sounder FDS271
 - Sounder interbase FDSB221
 - Sounder interbase with additional optical indicator FDSB229
- Order no.: A5Q00005035

See also

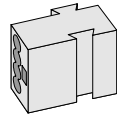
📄 Detector locking device FDBZ293 [→ 35]

3.3.11 Dummy detector FDX291



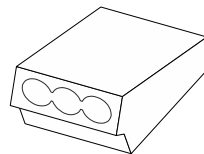
- To protect the detector base from dirt
- External labelling for identification
- Does not open the contact in the detector base
- Compatible with:
 - Detector base FDB2xx
 - Sounder base FDSB29x
- Order no.: S54319-F2-A1

3.3.12 Micro terminal DBZ1190-AA



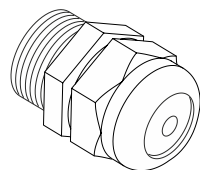
- Auxiliary terminal for connecting cables
- For T-branches of additional cabling e.g. for detector heating units, sounder base, external alarm indicators etc.
- For wire diameters of 0.28...0.5 mm²
- 4-pin
- Order no.: BPZ:4677080001

3.3.13 Connection terminal DBZ1190-AB



- Auxiliary terminal for connecting cables
- For T-branches of additional cabling e.g. for cable shielding, detector heating units, sounder base, external alarm indicators etc.
- For wire diameters of 1...2.5 mm²
- 3 poles
- Order no.: BPZ:4942340001

3.3.14 M20 x 1.5 metal cable gland



- For introducing a cable into a housing
- For cable diameters of 3.5...5.5 mm
- Temperature range: -40...+100 °C
- Allows for increased IP protection
- Compatible with:
 - M20 x 1.5 metal counter nut
 - Housing FDMH231-S-R
 - Housing FDMH292-x
 - Housing FDMH293-x
 - Housing FDMH297-R
 - Housing FDCH221
 - Air sampling smoke detection kit FDBZ290
- Order no.: A5Q00004478

4 Project engineering

Please always take the country-specific provisions and the alarm organization for project planning into account. In addition, the connection factors stated in the specifications must also be taken into account.

See also

 [Technical data \[→ 42\]](#)

4.1 Compatibility

The device is compatible with the following control panels:

- FDnet: all FC20xx control panels
- C-NET: all FC72x control panels

For details, see 'List of compatibility'.

The table below shows the compatibility of the device with various control panels:

Detector line	Control panel			
	FC20xx	FC72x	SIGMASYS	AlgoRex
FDnet	X	–	–	–
C-NET	–	X	–	–

X = compatible

– = not compatible

4.2 Ranges of application

The device can be used along escape routes, such as

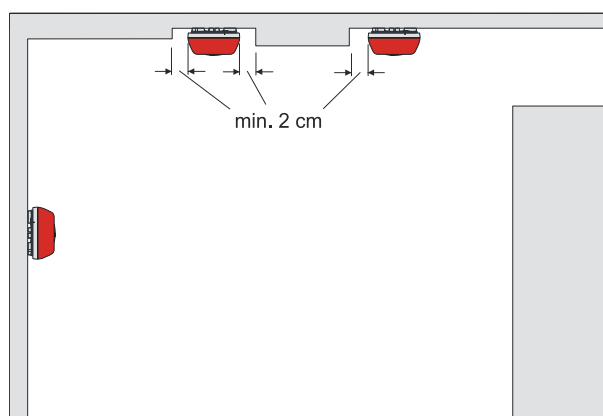
- Corridor
- Staircases
- Offices
- Warehouses
- Production halls

4.3 Installation site

The alarm sounder with additional optical indicator FDS229 can be mounted on the ceiling or wall.

The device must be easily accessible for commissioning and maintenance so that it can communicate with the detector exchanger and tester FDUD292 or the intelligent detector tester FDUD293 via the interface (MC link).

You will find more information in documents 007227 and 009718.



Installation of the alarm sounder on the wall or ceiling


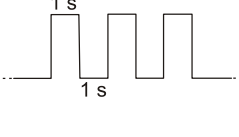
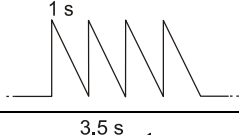
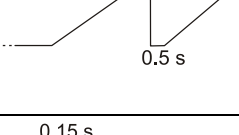
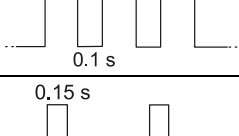
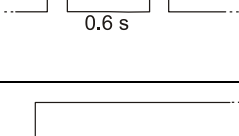
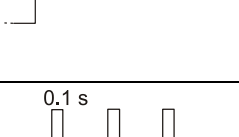


4.4 Limitations

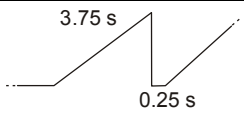
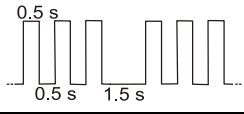
- Cannot be synchronized with the sounder base FDSB291 (only for ES <30)
- Synchronization with the sounder base FDSB291 and with other alarm sounders is only possible for devices with a product version ES \geq 30.
- Optical signal and alarm sounds cannot be synchronised

4.5 Configuration

The following chapters contain the specifications of the different tones and optical indicators.

4.5.1 Alarm sounder

No.	Tone	Frequency pattern Sweep from → to	Pulse pattern	Adjustable sound levels (typ. values in [dBA/1m] ¹⁾)		Norm
				at 12 V	at 32 V	
1	Continuous	970 Hz		98 88 81	101 92 82	'evacuate' BS 5839 Part 1 1988
2	Intermittent	950 Hz		96 87 79	100 91 81	'alert' BS 5839 Part 1 1988
3	Sweep-down	1,200 Hz → 500 Hz		96 87 79	100 91 80	DIN tone DIN 33404 Part 3
4	Slow-whoop Sweep-up, linear	500 Hz → 1,200 Hz		97 88 81	101 92 82	NEN 2575 (Netherlands)
5	Pulse tone	500 Hz		94 85 75	97 88 75	Swedish Standard SS 03 17 11, No. 1 'Imminent Danger'
6	Intermittent	500 Hz		93 84 75	96 87 75	Swedish Standard SS 03 17 11, No. 6 'Local Warning'
7	Continuous	500 Hz		94 85 76	97 88 76	Swedish Standard SS 03 17 11, No. 4 'All clear'
8	Alternating	560 Hz 440 Hz		94 85 75	98 89 76	'French fire sound' NF S 32-001-1975
9	Intermittent	420 Hz		94 85 76	98 89 77	Australia 'Alert' AS 2220 -1978

No.	Tone	Frequency pattern Sweep from → to	Pulse pattern	Adjustable sound levels (typ. values in [dBA/1m] ¹)		Norm
				at 12 V	at 32 V	
10	Slow-whoop Sweep-up, linear	500 Hz → 1,200 Hz		96 89 81	100 93 82	Australia 'Action' AS 2220 -1978
11	Intermittent	970 Hz		99 89 82	102 92 83	ISO 8201 US Temporal Tone LF
31	Mute	–	–	0	0	Alarm sounder is switched off so that the FDS229 can be operated simply as an optical indicator.

¹ Details of sound level -0 / +4 dBA

The sound level depends on the angle. See 'Annex technical data'

4.5.2 Optical display

No.	Indicator mode	Frequency pattern	Light intensity at 32 V, angle-dependent (typ.)	Norm
1	Intermittent	0.8 Hz	Red hood: 1.27...3.2 cd Orange hood: 1.1...2.8 cd	---

5 Mounting / Installation

The alarm sounder with supplementary optical indication FDS229 requires an addressed detector base. The detector base is mounted on the wall or on the ceiling.

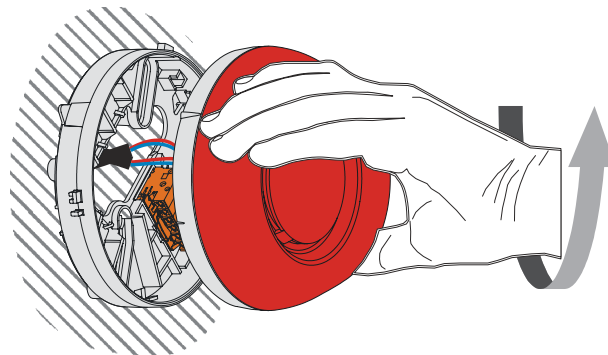
The device must be easily accessible for commissioning and maintenance so that it can communicate with the detector exchanger and tester FDUD292 or the intelligent detector tester FDUD293 via the interface (MC link).



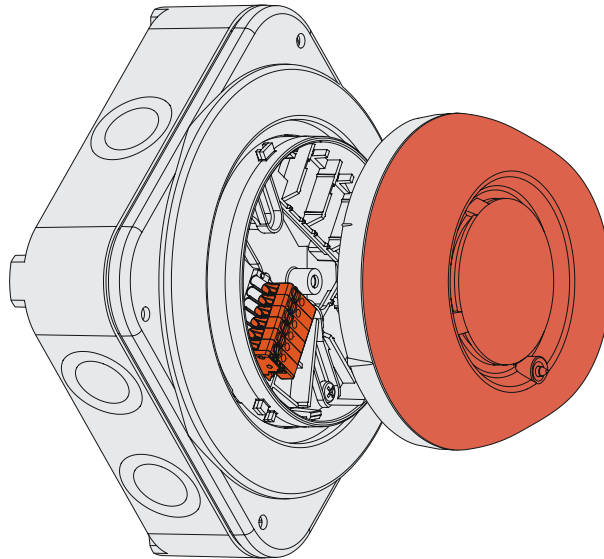
The alarm sounder with supplementary optical indication FDS229 cannot be used or removed with the detector exchanger and tester FDUD292 or the intelligent detector tester FDUD293!

Proceed as follows when installing:

1. Install a detector base.
 - For recess-mounted cable entry: Flat, addressable detector base FDB222
 - For surface-mounted cable entry and cable diameter ≤ 6 mm: Addressable detector base FDB221 or FDB221-AA
 - For surface-mounted cable entry and cable diameter > 6 mm: Base attachment FDB291 and addressable detector base FDB221 or FDB221-AA
 - For applications in wet rooms: Base attachment wet FDB295 and flat, addressable detector base FDB222 or base attachment wet FDB295 and addressable detector base FDB221/FDB221-AA
2. **WARNING! Radiation of an LED in class 1M. Harmful to the eyes! Do not look at the LED using optical instruments!** Place the alarm sounder with supplementary optical indication FDS229 into the detector base and turn the alarm sounder until it snaps in.



Wall mounting of the alarm sounder with additional optical indicator FDS229 in a detector base FDB221



Wall mounting of the alarm sounder with supplementary optical indication FDS229 with a base attachment wet FDB295 and a detector base FDB221

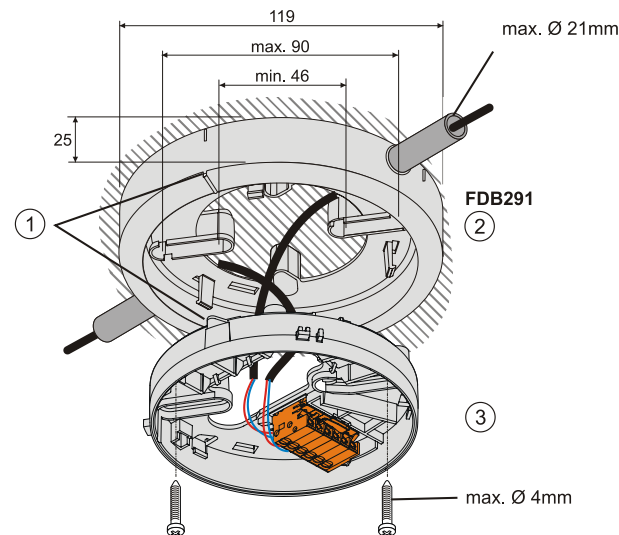
See also

- 📄 Installation site [→ 25]
- 📄 Base attachment FDB291 [→ 30]

5.1 Base attachment FDB291

▷ Use the base attachment FDB291 for surface-mounted cable entry and cable diameters between 6 mm and 21 mm.

1. Break out the required cable entries on the base attachment FDB291.
2. Insert the cables through the break-outs in the base attachment FDB291.



Installation of detector base on base attachment FDB291

1 Identification

3 Detector base acc. to
'Accessories' chapter

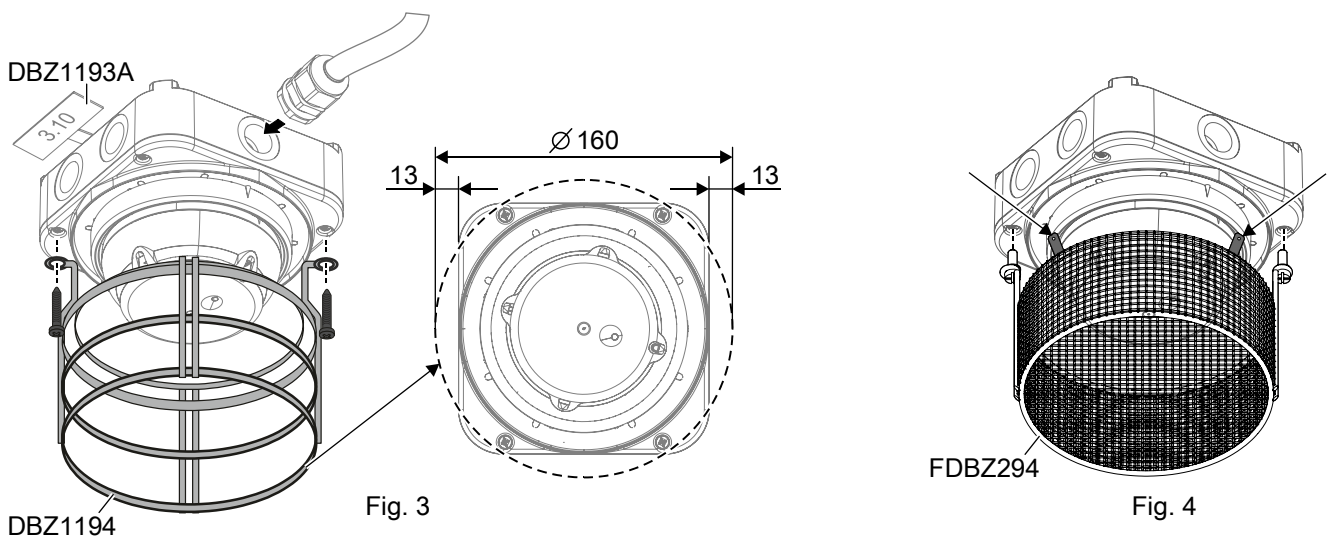
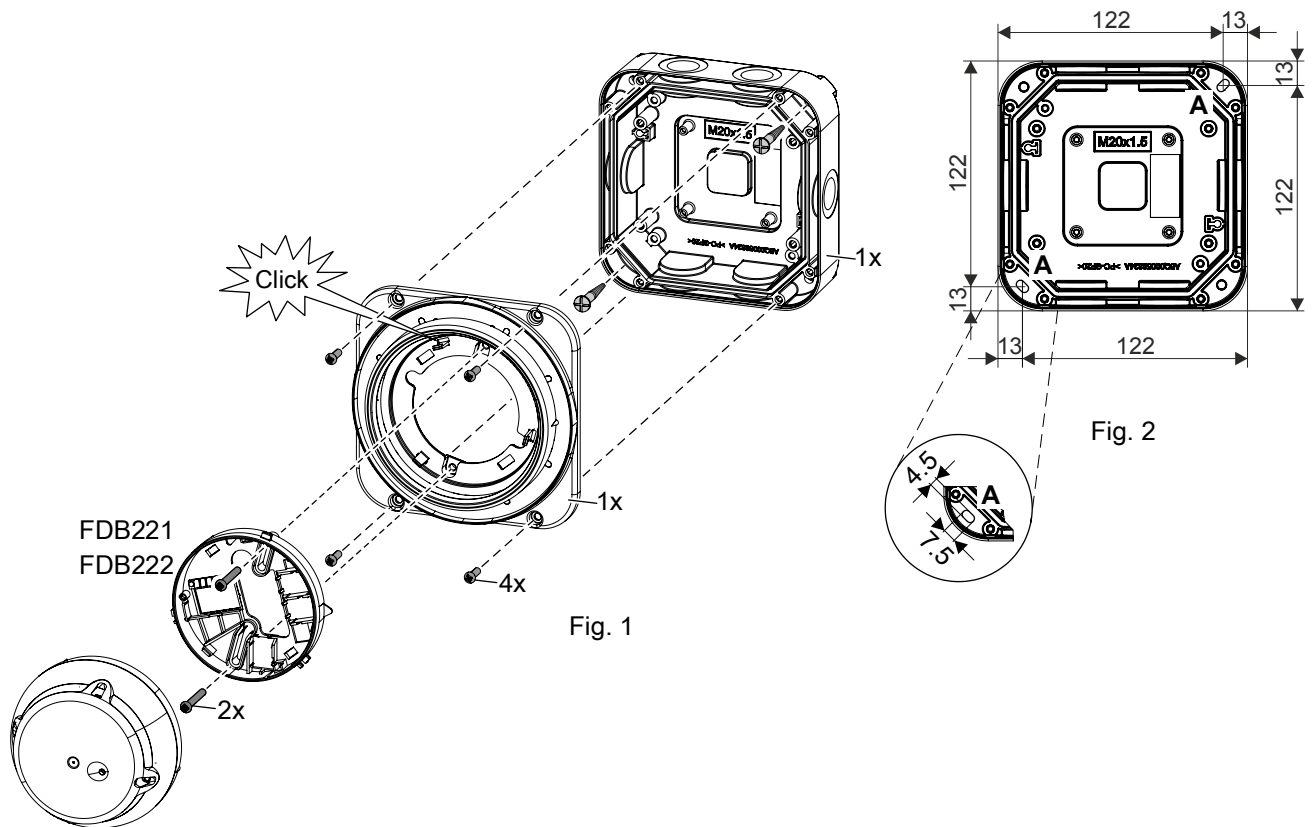
2 Base attachment

See also

- ▣ Addressable detector base FDB221/FDB221-AA [→ 19]
- ▣ Addressable detector base, flat FDB222 [→ 20]

5.2 Base attachment wet FDB295

- The 'base attachment wet FDB295' is for surface-mounted feed lines in humid and cold environments.
- It is not possible to remove the detector using the detector tester FDUD291/detector exchanger and tester FDUD292/intelligent detector tester FDUD293.
- The cables are inserted using M20 x 1.5 metal cable glands (Fig. 3).
- Protective cages DBZ1194/FDBZ294 can be installed on 'base attachment wet FDB295'.
 - Protective cage DBZ1194 (Fig. 3) protects the detector against mechanical damage.
 - EMC-protective cage FDBZ294 (Fig. 4) protects the detector against mechanical damage and electromagnetic fields.
- Note the dimensions of the protective cages (Fig. 3).
- To connect detector heating unit FDBH291, see chapter: 'Connection of the detector heating unit'.



Installation and removal of base adapter FDB241 on detector base

Fig. 1 Installation of base attachment wet FDB295

- Installation on substructure (2 screws)
- Installation of cover (4 screws)
- Installation of detector base (2 screws)

Fig. 2 Master gauge for recesses

Fig. 3 Installation of protective cage DBZ1194, M20 x 1.5 metal cable gland, DBZ1193A designation plate

Fig. 4 Installation of EMC-protective cage FDBZ294

**⚠ WARNING****Danger of falling**

Bodily injury

- When installing, use a secured ladder or work platform.
- Only use the appropriate detector exchanger and tester or detector tester as installation tools.

Installation (Fig. 1 and 2)

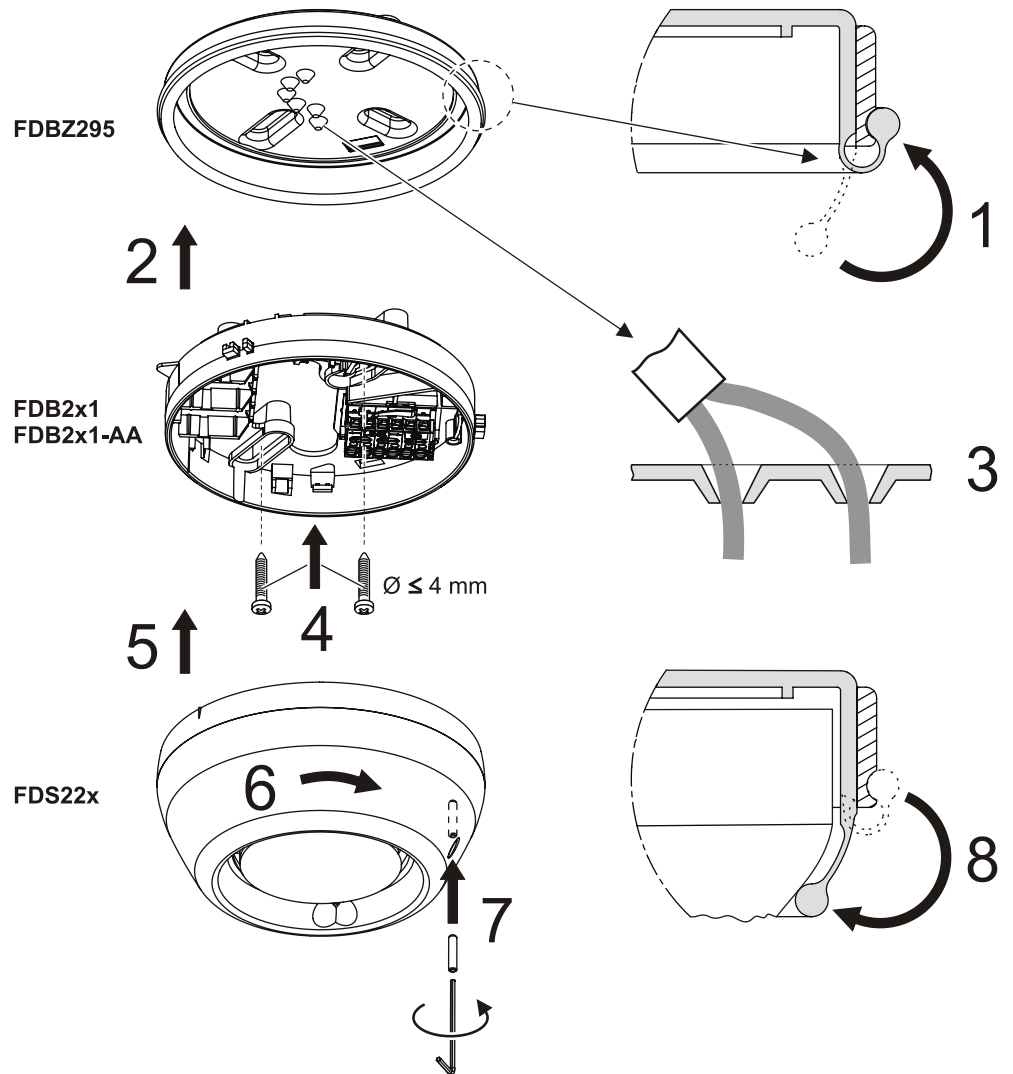
1. Install the M20 x 1.5 metal cable gland in the housing.
2. Install the housing securely onto the substructure using 2 screws (detail A).
3. Screw the cover securely onto the housing using 4 screws.
4. Place the detector base in 'base attachment wet FDB295' and listen for it clicking into place.
5. Screw the detector base securely onto 'base attachment wet FDB295' using 2 screws.

Removing the detector base

1. Loosen the two screws on the detector base.
2. Disengage the lock with a screwdriver (listen for click).
3. Remove the detector base from 'base attachment wet FDB295'.

5.3 Sealing kit FDBZ295

The sealing element FDBZ295 is used in conjunction with detector bases FDB2x1/FDB2x1-AA. The sealing element provides the device with protection against dirt and spray water.



Installation of sealing kit FDBZ295

Installation

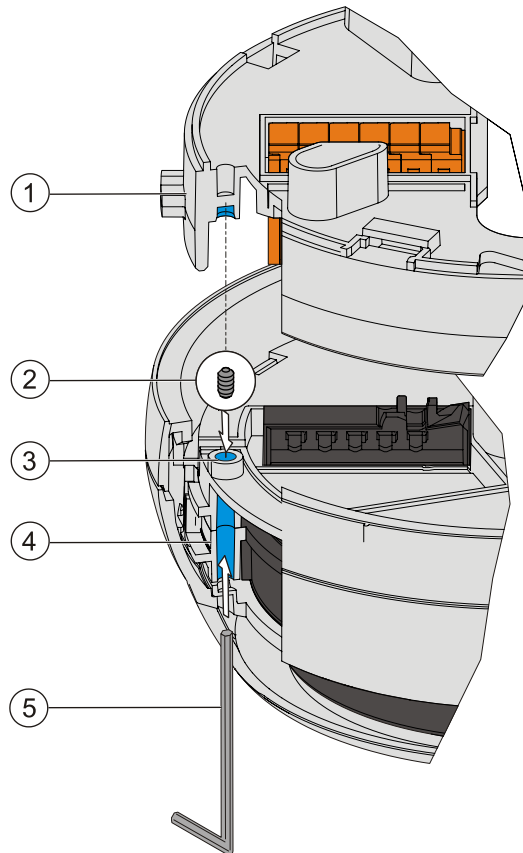
- ▷ The kit is installed by hand
- 1. Fold the sealing lip back.
- 2. Insert the detector base into the sealing kit. Make sure that the opening in the detector base lines up with the marking and opening on the rubber base.

!	NOTICE
	Risk when piercing the rubber base with a tool! Consequences: Leaks in rubber base <ul style="list-style-type: none">• Do not use tools for piercing!

- 3. Push the connection wires through the rubber base from the rear.
 - 4. Install the detector base.
 - 5. Place a point detector or alarm sounder in the detector base.
 - 6. Turn the point detector or alarm sounder to the right to screw it firmly into the detector base.
 - 7. Screw the supplied set screw into the point detector or alarm sounder until it no longer protrudes. This step is not needed when using detector locking device FDBZ293.
 - 8. Fold the folded-back sealing lip over the point detector or alarm sounder.
- ⇒ The sealing element is installed.

5.4 Detector locking device FDBZ293

A point detector or alarm sounder can be protected against theft with the detector locking device FDBZ293.



Installation of detector locking device FDBZ293

1	Detector base	4	Detector
2	Set screw with a hexagon socket	5	Allen key
3	Hole		

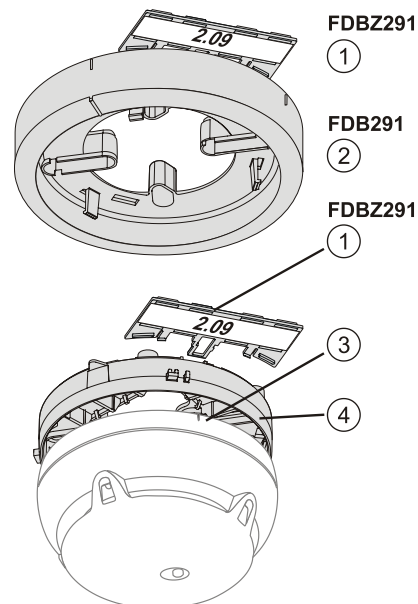
1. Place the 'set screw with a hexagon socket' (2) in the hole (3) on the detector (4).
 2. Insert the detector (4) into the detector base (1).
 3. Using the Allen key provided (5), insert the 'set screw with a hexagon socket' (2) through the hole in the detector base (1) and tighten.
- ⇒ The detector can no longer be removed from the base without tools.

See also

- 📄 [Addressable detector base FDB221/FDB221-AA \[→ 19\]](#)
- 📄 [Addressable detector base, flat FDB222 \[→ 20\]](#)

5.5 Designation plate FDBZ291

1. Label designation plate FDBZ291 with location address of point detector or alarm sounder.
2. Note the small mark on the installed point detector or alarm sounder and slide designation plate into detector base or sounder base.



Installation of designation plate FDBZ291

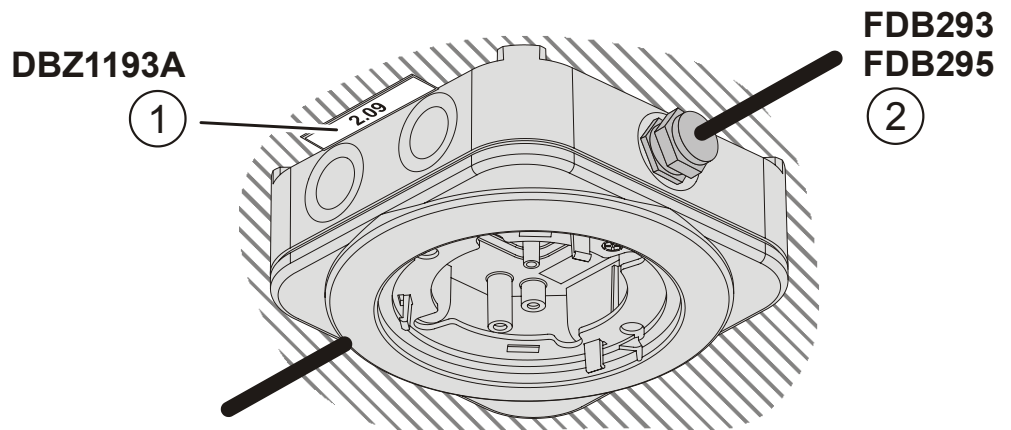
- | | |
|-----------------------------|---|
| 1 Designation plate FDBZ291 | 3 Marks on point detector/alarm sounder |
| 2 Base attachment FDB291 | 4 Detector base/sounder base |

See also

- 📄 Addressable detector base FDB221/FDB221-AA [→ 19]
- 📄 Addressable detector base, flat FDB222 [→ 20]

5.6 Designation plate DBZ1193A

To provide a detector or alarm sounder on a base attachment wet FDB295 with a location address, the designation plate DBZ1193A is labeled and placed on the base attachment wet FDB295.



Installation of designation plate DBZ1193A

1 Designation plate DBZ1193A

2 Base attachment wet FDB295

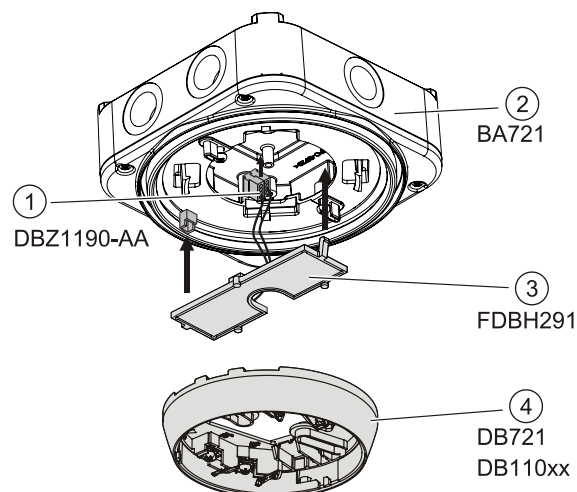
5.7 Detector heating unit FDBH291

5.7.1 Installation of the detector heating unit

When the detector is exposed to icing or moisture condensation (e.g., in cooling rooms, attics, loading ramps), detector heating unit FDBH291 is installed in the detector base. The detector heating unit increases the detector temperature by approximately 2 °C over the ambient temperature and thus avoids moisture condensation on the detector.



Optimum function of the detector heating unit is only guaranteed with base attachment wet BA721.



Installation of the detector heating unit FDBH291

1 Micro terminals

2 Base attachment humid

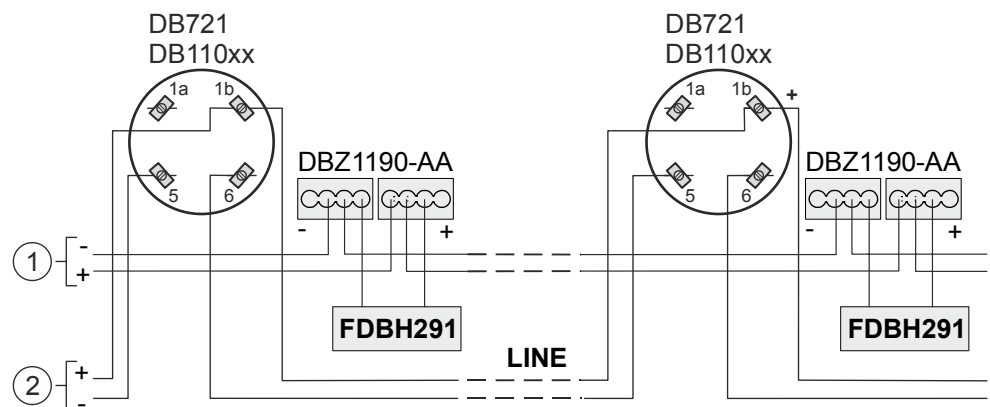
3 Detector heating unit

4 Detector base

5.7.2 Connection of the detector heating unit

- Connect the cables for the monitored supply from the control panel and the detector heating unit to the supplied micro terminals DBZ1190-AA.
- The cables can be placed in the same cable harness as the detector line or separately.
- Several detector heating units can be connected in parallel.
- Detector heating units require a separate supply.

!	NOTICE
	Risk of icing Malfunction <ul style="list-style-type: none"> • To ensure smooth operation, the detector must be checked regularly for icing.



Connection diagram for detector heating unit FDBH291

- 1 Control panel supply (monitored)
- 2 Control panel

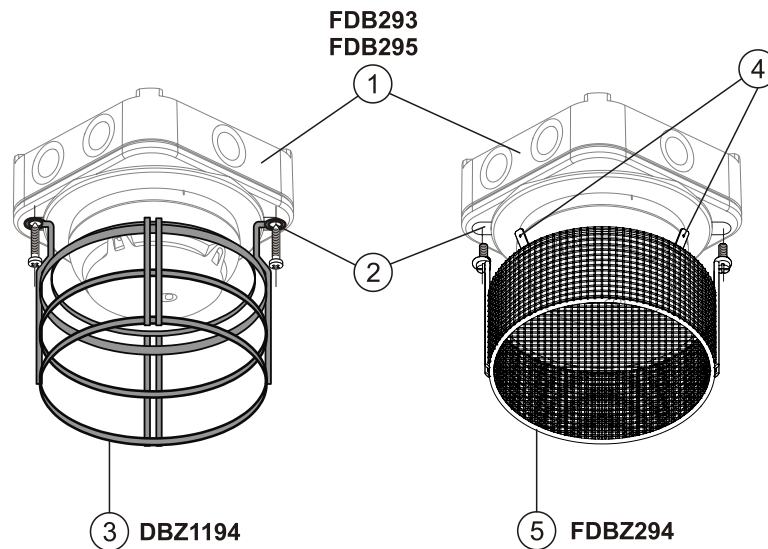
5.8 Protective cages

Protective cage DBZ1194 protects the detector against mechanical damage.

EMC-protective cage FDBZ294 protects the detector against mechanical damage and electromagnetic fields.

5.8.1 Installation of the protective cages

The protective cages can only be installed on the base attachment wet FDB295.



Installation of the protective cages

- | | | | |
|---|---|---|------------------------|
| 1 | Base attachment | 4 | Flat plug 6.3 x 0.8 mm |
| 2 | Break out and screw protective cage on firmly | 5 | EMC-protective cage |
| 3 | Protective cage | | |

6 Commissioning

The devices are commissioned via the control panel. The exact procedure is described in the control panel documentation.

Conduct a performance check once commissioning is complete.

7 Maintenance / Repair

7.1 Status query

The alarm sounder with additional optical indicator FDS229 has a proximity interface (MC link).

Using this interface, it is possible to read out data from the device in a proximity method over short distances with the detector exchanger and tester FDUD292 or the intelligent detector tester FDUD293.

You will find more information in documents 007227 and 009718.



Status queries with detector exchanger and tester FDUD292 or intelligent detector tester FDUD293 are only possible with devices of the 'Sinteso' product line on the FDnet.

The following actions can be performed from the control panel:

- Configure sounds
- Commissioning
- Activate / deactivate sound
- Activate / deactivate additional optical indicator
- Read error list / status register

7.2 Function check

The devices are automatically subjected to a performance check during the self-test. Nevertheless, it is necessary to check the devices on site at regular intervals.

Recommendation:

- Check the devices every year.
- Replace heavily soiled or damaged devices.

No other special maintenance work is necessary.

You will find more detailed information in the fire detection system documentation.

8 Specifications

8.1 Technical data

You will find information on approvals, CE marking, and the relevant EU directives for this device (these devices) in the following document(s); see 'Applicable documents' chapter:

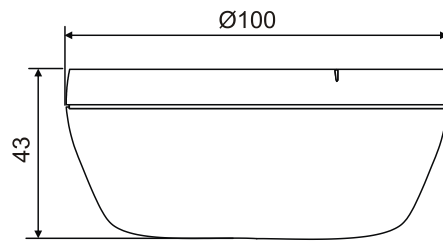
- Document A6V10229545

Detector line	Operating voltage	DC 12...33 V
	Operating current:	
	● Standby	250 μ A
	● Sound activated	3.5 mA
	● Additional optical indicator activated	3.5 mA
	● Sound and additional optical indicator activated	7.0 mA
	Quiescent current connection factor	1
	Address connection factor	1
	Separator connector factor	1
	Protocol	FDnet/C-NET
	System compatibility	See 'List of compatibility'
	Connection factor:	
	● Sound activated	15
	● Additional optical indicator activated	15
● Sound and additional optical indicator activated	30	
Line separator	Line voltage:	
	● Nominal	DC 32 V (= V_{nom})
	● Minimum	DC 12 V (= V_{min})
	● Maximum	DC 33 V (= V_{max})
	Voltage at which the separator opens:	
	● Minimum	DC 7.5 V (= $V_{SO min}$)
	● Maximum	DC 10.5 V (= $V_{SO max}$)
	Permanent current when switches are closed:	Max. 0.5 A (= $I_{C max}$)
	Switching current (e.g., in the event of a short-circuit)	Max. 1 A (= $I_{S max}$)
	Leakage current when switches are open:	Max. 1 mA (= $I_{L max}$)
Serial impedance when switches are closed:	Max. 0.5 Ω (= $Z_{C max}$)	

External alarm indicators	Number of external alarm indicators that can be connected	2
	Voltage	DC 10...17 V
	Current	9...15 mA
	Length of line	<ul style="list-style-type: none"> ● Max. 30 m with unshielded cables (recommended), or when the shielding is connected to the positive pole of the AI on the detector base ● Max. 5 m, if the shielding is connected to earth
Function	Number of sounds	11
	Number of optical indicator patterns	1
	Activation levels	2
	Sound level	Depending on the set tone; see chapter 'Configuration' for details
	Luminous intensity at DC 32 V (depending on viewing angle -30...+30°):	
<ul style="list-style-type: none"> ● FDS229-R: Red hood ● FDS229-A: Orange hood 	1.0...2.1 cd Depending on the viewing angle, see 'Technical data annex', sub-chapter 'FDS229-R, red' 0.9...1.8 cd Depending on the viewing angle, see 'Technical data annex', sub-chapter 'FDS229-A, orange'	
Connections	Detector line:	
	<ul style="list-style-type: none"> ● Design 	Plug-type connection
	External alarm indicators:	
	<ul style="list-style-type: none"> ● Design 	Plug-type connection
	MC link:	
<ul style="list-style-type: none"> ● Design 	Proximity interface	

Ambient conditions	Operating temperature:	
	● FDS229-R: Red hood	-25...+65 °C
	● FDS229-A: Orange hood	-25...+55 °C
	Storage temperature	-30...+75 °C
	Air humidity	≤95 % rel.
	Protection categories according to EN 60529 / IEC 60529:	
	● Detector base FDB221, FDB222, wall mounting, connection from below	IP43
	● Detector base FDB221, FDB222, all other modes of installation	IP42
	● Detector base FDB291 with sealing element FDBZ295	IP44
	● Base attachment FDB291, wall mounting, connection from below (0° mark left or AI downwards)	IP43
	● Base attachment FDB291, all other installation methods	IP42
	● Base attachment wet FDB295	IP54
Electromagnetic compatibility at:		
● 1 MHz...1 GHz	50 V/m	
● 1 GHz...2 GHz	30 V/m	
Mechanical data	Dimensions (Ø x H)	100 x 43 mm
	Material	Polycarbonate (PC)
	Colors of the hoods:	
	● FDS229-R	Transparent red
	● FDS229-A	Transparent orange
Standards	European standards	<ul style="list-style-type: none"> ● EN 54-3 ● EN 54-17

8.2 Dimensions



Dimensions of the alarm sounder with additional optical indicator FDS229

8.3 Environmental compatibility and disposal



This device is manufactured using materials and procedures which comply with current environmental protection standards as best as possible. More specifically, the following measures have been undertaken:

- Use of reusable materials
- Use of halogen-free plastics
- Electronic parts and synthetic materials can be separated

Larger plastic parts are labeled according to ISO 11469 and ISO 1043. The plastics can be separated and recycled on this basis.



Electronic parts and batteries must not be disposed of with domestic waste.

- Take electronic parts and batteries to local collection points or recycling centers.
- Contact local authorities for more information.
- Observe national requirements for disposing of electronic parts and batteries.

9 Annex technical data

9.1 Tones and sound levels of the alarm sounder (DC 32 V)

Minimum sound level measured in dBA/1 m (DC 32 V)

Tone No. 1: Continuous

Sound level	Horizontal						Vertical					
	15°	45°	75°	105°	135°	165°	15°	45°	75°	105°	135°	165°
0 (max.)	82	88	89	89	88	86	82	88	89	89	88	86
1 (mid.)	72	78	79	79	78	76	72	78	79	79	78	76
2 (low)	62	68	69	69	68	66	62	68	69	69	68	66

Tone No. 2: Intermittent

Sound level	Horizontal						Vertical					
	15°	45°	75°	105°	135°	165°	15°	45°	75°	105°	135°	165°
0 (max.)	83	87	91	90	88	87	83	87	91	90	88	87
1 (mid.)	73	77	81	80	78	77	73	77	81	80	78	77
2 (low)	63	67	71	70	68	67	63	67	71	70	68	67

Tone No. 3: Sweep-down

Sound level	Horizontal						Vertical					
	15°	45°	75°	105°	135°	165°	15°	45°	75°	105°	135°	165°
0 (max.)	86	89	93	93	90	88	86	89	93	93	90	88
1 (mid.)	76	79	83	83	80	78	76	79	83	83	80	78
2 (low)	66	69	73	73	70	68	66	69	73	73	70	68

Tone No. 4: Slow-whoop Sweep-up, linear

Sound level	Horizontal						Vertical					
	15°	45°	75°	105°	135°	165°	15°	45°	75°	105°	135°	165°
0 (max.)	89	91	94	93	91	89	89	91	94	93	91	89
1 (mid.)	79	81	84	83	81	79	79	81	84	83	81	79
2 (low)	69	71	74	73	71	69	69	71	74	73	71	69

Tone No. 5: Pulse tone

Sound level	Horizontal						Vertical					
	15°	45°	75°	105°	135°	165°	15°	45°	75°	105°	135°	165°
0 (max.)	83	87	89	90	86	82	84	87	89	90	86	82
1 (mid.)	73	77	79	80	76	72	74	77	79	80	76	72
2 (low)	63	67	69	70	66	62	64	67	69	70	66	62

Tone No. 6: Intermittent

Sound level	Horizontal						Vertical					
	15°	45°	75°	105°	135°	165°	15°	45°	75°	105°	135°	165°
0 (max.)	84	85	85	88	84	81	84	85	85	88	84	81
1 (mid.)	74	75	75	78	74	71	74	75	75	78	74	71
2 (low)	64	65	65	68	64	61	64	65	65	68	64	61

Tone No. 7: Continuous

Sound level	Horizontal						Vertical					
	15°	45°	75°	105°	135°	165°	15°	45°	75°	105°	135°	165°
0 (max.)	83	85	88	88	85	83	83	85	88	88	85	83
1 (mid.)	73	75	78	78	75	73	73	75	78	78	75	73
2 (low)	63	65	68	68	65	63	63	65	68	68	65	63

Tone No. 8: Alternating

Sound level	Horizontal						Vertical					
	15°	45°	75°	105°	135°	165°	15°	45°	75°	105°	135°	165°
0 (max.)	87	90	91	91	89	85	87	90	91	91	89	85
1 (mid.)	77	80	81	81	79	75	77	80	81	81	79	75
2 (low)	67	70	71	71	69	65	67	70	71	71	69	65

Tone No. 9: Intermittent

Sound level	Horizontal						Vertical					
	15°	45°	75°	105°	135°	165°	15°	45°	75°	105°	135°	165°
0 (max.)	80	85	88	86	82	81	80	85	88	86	82	81
1 (mid.)	70	75	78	76	72	71	70	75	78	76	72	71
2 (low)	60	65	68	66	62	61	60	65	68	66	62	61

Tone No. 10: Slow-whoop Sweep-up, linear

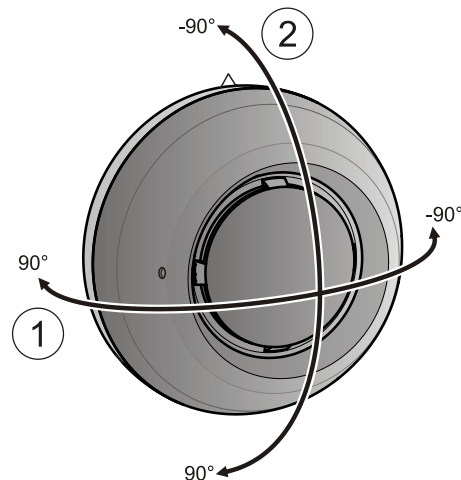
Sound level	Horizontal						Vertical					
	15°	45°	75°	105°	135°	165°	15°	45°	75°	105°	135°	165°
0 (max.)	88	91	94	94	92	91	88	91	94	94	92	91
1 (mid.)	78	81	84	84	82	81	78	81	84	84	82	81
2 (low)	68	71	74	74	72	71	68	71	74	74	72	71

Tone No. 11: Intermittent

Sound level	Horizontal						Vertical					
	15°	45°	75°	105°	135°	165°	15°	45°	75°	105°	135°	165°
0 (max.)	82	83	90	93	84	86	82	83	90	93	84	86
1 (mid.)	72	73	80	83	74	76	72	73	80	83	74	76
2 (low)	62	63	70	73	64	66	62	63	70	73	64	66

9.2 Beam characteristics of the additional optical indicator

The zero point (0°) relates to the triangular mark on the base of the alarm sounder FDS229. Values for azimuth angle and elevation angle >90° derive from the rotational symmetry.



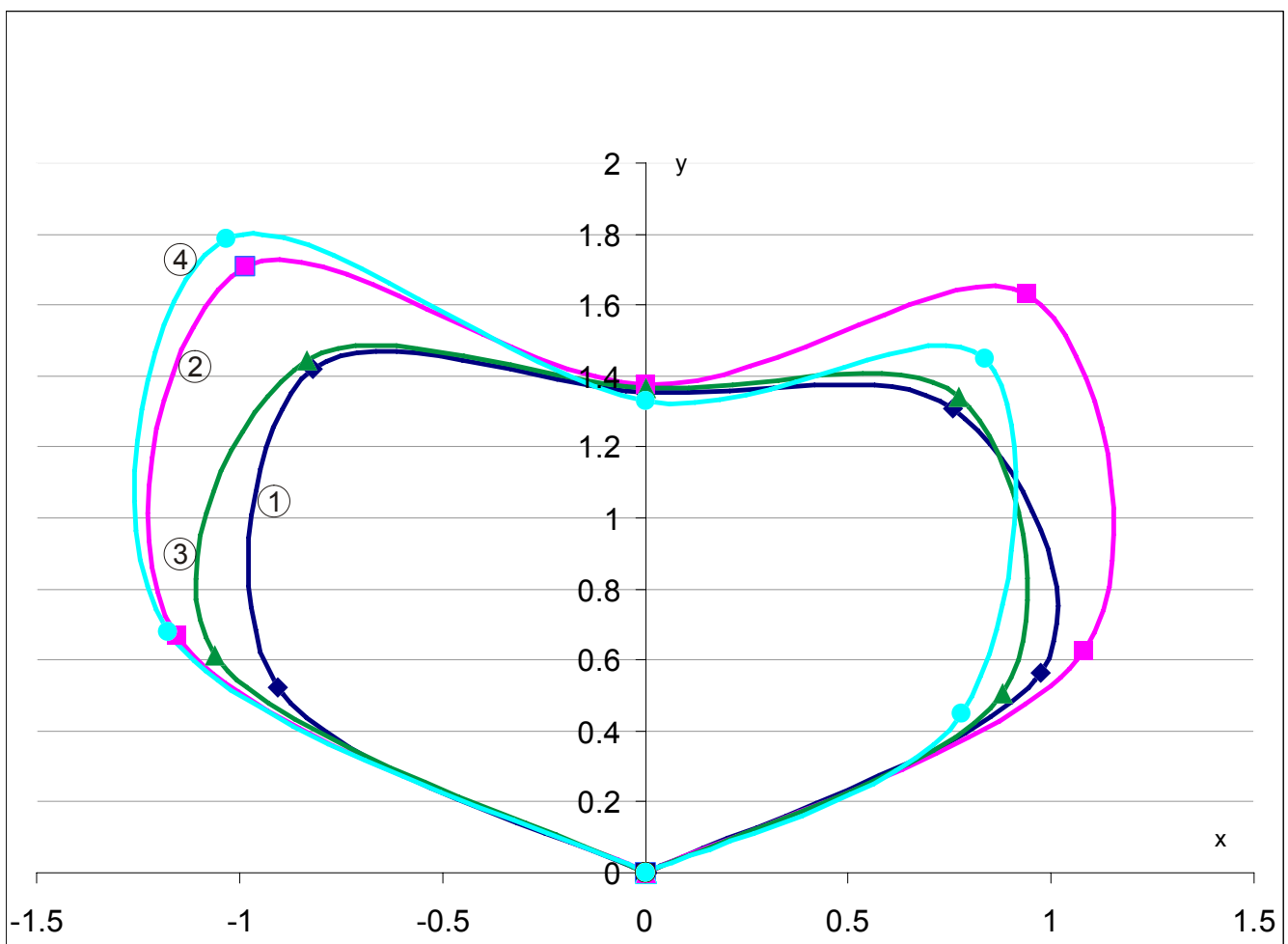
Representation of the zero point of horizontal and vertical angles

1	Azimuth (horizontal angle)	2	Elevation (vertical angle)
---	----------------------------	---	----------------------------

9.2.1 FDS229-R, red (32 VDC)

Azimuth	0°		30°		60°		90°	
Elevation [°]	[cd/60 s]	[cd/pulse]	[cd/60 s]	[cd/pulse]	[cd/60 s]	[cd/pulse]	[cd/60 s]	[cd/pulse]
-60	11	1.0	14	1.3	13	1.2	14	1.4
-30	17	1.6	21	2.0	18	1.7	22	2.1
0	14	1.4	15	1.4	14	1.4	14	1.3
30	16	1.5	20	1.9	16	1.5	18	1.7
60	12	1.1	13	1.3	11	1.0	9.5	0.9

Beam characteristics of the additional optical indicator



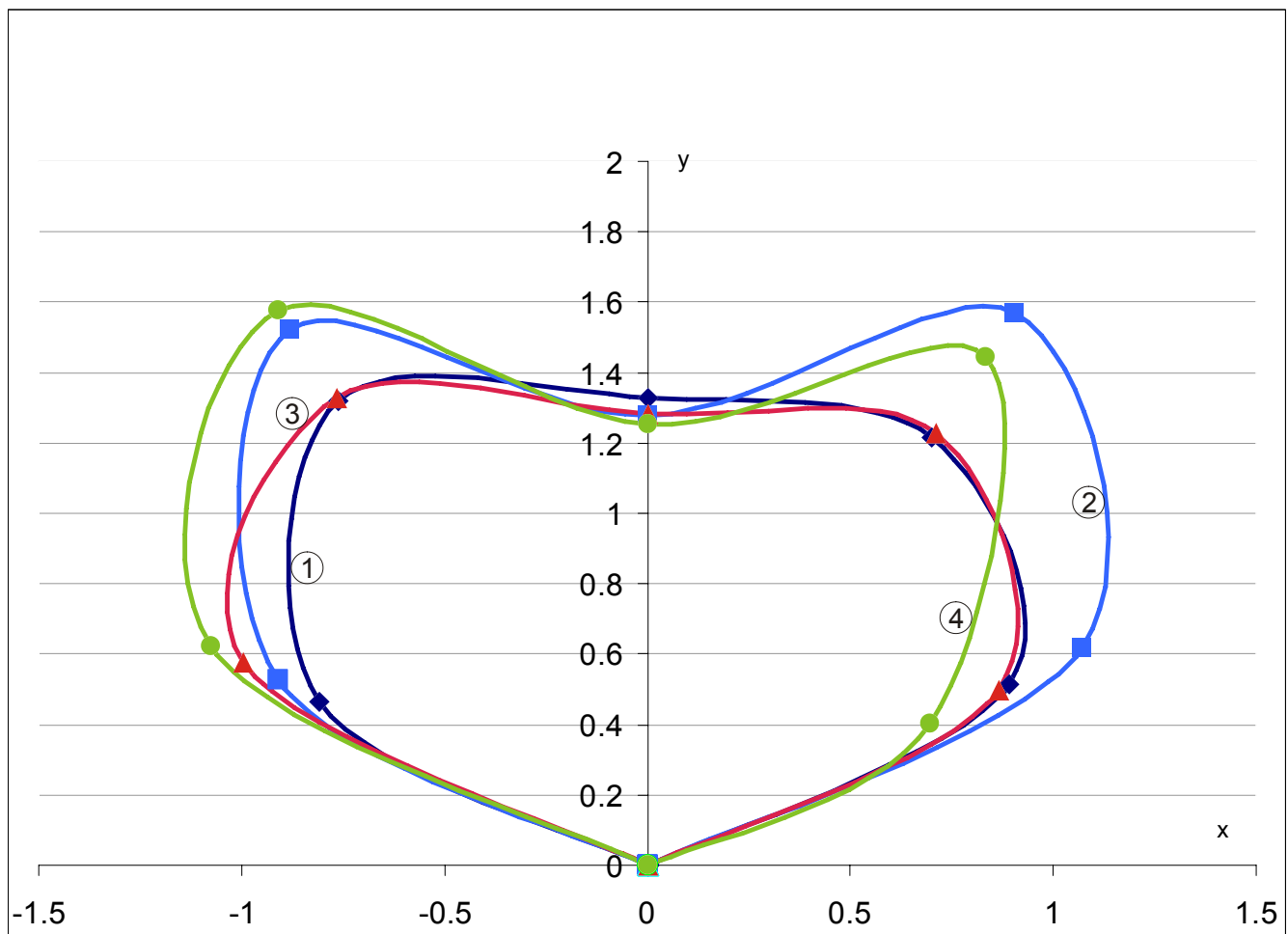
Graphic representation of the beam characteristics of the additional optical indicator

1	0°	3	60°
2	30°	4	90°

9.2.2 FDS229-A, orange (32 VDC)

Azimuth	0°		30°		60°		90°	
	[cd/60 s]	[cd/pulse]	[cd/60 s]	[cd/pulse]	[cd/60 s]	[cd/pulse]	[cd/60 s]	[cd/pulse]
-60	10	0.9	11	1.1	12	1.2	13	1.2
-30	16	1.5	19	1.8	16	1.5	19	1.8
0	14	1.3	14	1.3	14	1.3	13	1.3
30	15	1.4	19	1.8	15	1.4	18	1.7
60	11	1.0	13	1.2	11	1.0	8.5	0.8

Beam characteristics of the additional optical indicator



Graphic representation of the beam characteristics of the additional optical indicator

1	0°	3	60°
2	30°	4	90°

Index

A

Approvals, 42

C

CE marking, 42

Compatibility

with control panels, 24

with sounder base FDSB29x, 25

Control panel, 40

D

Degraded mode operation

Fire control panel failure, 18

Detector exchanger and tester FDUD292

MC link, 18, 41

Detector heating unit

Installation, 37

Diagnosis levels, 18

Disposal, 45

Documentation for fire detection system, 7

Download center

URL, 7

E

Environmental compatibility, 45

ES

Product version, 16

Escalation levels, 17

Evacuation, 17

Warning, 17

EU directives, 42

F

Faults

Error, 18

Fire control panel failure

Degraded mode operation, 18

Fire detection system

addressed, 15

I

Intelligent detector tester FDUD293

MC link, 18, 41

Interface

MC link, 41

L

Line separator

Function, 18

List of compatibility, 7, 18, 24

M

Maintenance intervals, 41

MC link, 41

Detector exchanger and tester FDUD292, 18, 41

Intelligent detector tester FDUD293, 18, 41

Proximity interface, 18

O

Optical display

Flashing frequency, 17

P

Packaging label

Product version, 16

Product label

Product version, 16

Proximity interface

MC link, 18

R

Recycling, 45

S

Short-circuit

Line separator, 18

Standards, 44

T

Type plate

Product version, 16

Issued by
Siemens Switzerland Ltd
Infrastructure & Cities Sector
Building Technologies Division
International Headquarters
Gubelstrasse 22
CH-6301 Zug
Tel. +41 41-724 24 24
www.siemens.com/buildingtechnologies

© 2007-2014 Copyright Siemens Switzerland Ltd
Technical specifications and availability subject to change without notice.