



CCDA1425-DN

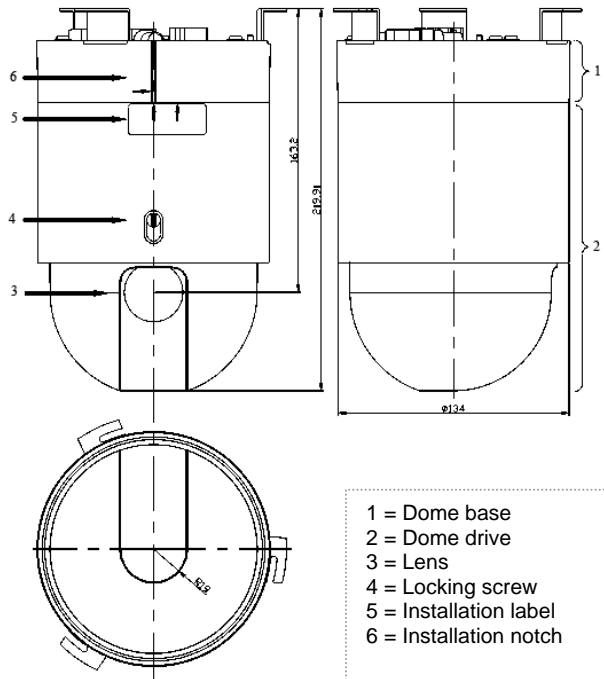
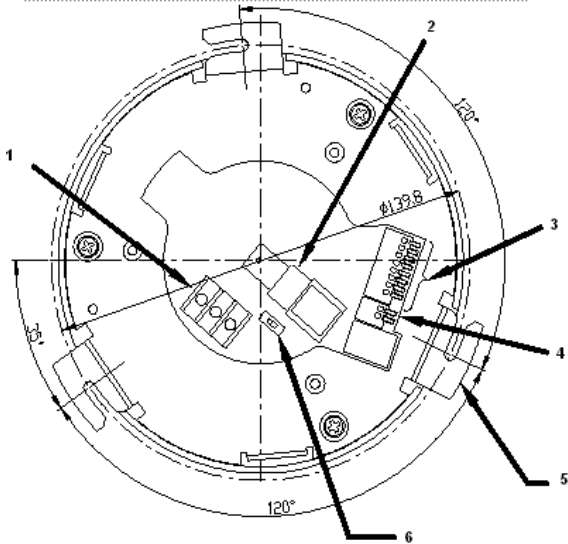
Day/Night High Speed Dome Camera

- High-speed dome camera
- High resolution 1/4-inch day/night camera (EX-View CCD)
- Day-night function with mechanical IR cut filter
- High sensitivity (up to 0.01 lux in night mode)
- 18x optical zoom (4.1 – 73.8 mm)
- 12x digital zoom
- 8 user-definable privacy zones
- Programmable tours and presets
- OSD / remote camera setup
- 20 characters preset titles
- 4 alarm inputs
- Proportional zoom
- Multi-protocols for remote configuration
- Wide range of accessories
- Easy installation

The Siemens high speed dome camera range includes a day-night model with exceptional low-light performance. A mechanically removable IR-cut-filter allows the dome camera to provide good color picture quality in the day mode and IR sensitive monochrome pictures in the night mode. The camera includes market relevant features and is very simple to operate thanks to macro / preset commands that quickly access the dome configuration menus. Setting-up a camera from a remote keyboard has never been easier. A wide range of accessories are available and will meet most installation requirements.

Dimensions

- 1 = Power terminal (24 VAC)
- 2 = BNC video output
- 3 = Alarm input/output
- 4 = Control input RS485
- 5 = Mounting bracket (3 legs)
- 6 = Bus termination switch (RS485)



- 1 = Dome base
- 2 = Dome drive
- 3 = Lens
- 4 = Locking screw
- 5 = Installation label
- 6 = Installation notch

Technical data

Operational

Manual pan speed	0.1 – 90°/s 0.1°/s: max. dig. zoom 0.4°/s: max. opt. zoom
Manual tilt speed	0.1 – 45°/s 0.1°/s: max. dig. zoom 0.4°/s: max. opt. zoom
Preset pan/tilt speed	pan: max. 300°/s tilt: max. 200°/s
Speed control	zoom-proportional: on/off
Pan range	360° continuous rotation
Tilt range	85° indoor; 92° outdoor
Pan/tilt limits	user-definable
Total zoom	216 x
Auto Flip	on / off
Optical zoom	18 x
Digital zoom	12 x
Zoom stop	18 x, 36 x, 72 x, 144 x, 216 x
Programmable presets	64
Programmable tours	4
Programmable privacy zones	8
Scan function	random, frame and auto-scan selectable
Synchronisation	internal / Line-Lock; phase adjustable
Alarm inputs	4 (linked to definable PRESET)
Alarm outputs	1 (NO / NC)
OSD menu languages	English
Preset titles	max. 20 characters / preset

Password protection	alphanumeric Dome OSD setup protection
Camera	
Image sensor	¼-inch Ex-View CCD
Effective pixels	752 (H) x 582 (V)
Scanning system	625 lines, 50 fields/s, 50 Hz (vertically), 15.625 Hz (horizontally); PAL
Video output	CVBS: 1.0 Vpp, 75 Ohm, composite
Signal-to-noise	> 50 dB (typical)
Horizontal resolution	480 lines
Minimum illumination	0.7 lux (F1.4, 1/50 s) 0.01 lux (F1.4, 1/3 s, night mode)
White balance	ATW (2000 – 10.000 °K), auto (3000 – 7500 °K); one push
Gain	AGC
AE compensation	auto, manual, BLC
EV compensation	-10.5 – +10.5 dB
Back light compensation	BLC on / off
Electronic shutter	auto: 1/1 – 1/10.000 s manual: 22 steps
Auto slow shutter	on / off (max. 1.0 s)
Focusing system	auto (sensitivity: normal, low)
Focus	auto / manual
Day/night function	mechanical IR cut filter, auto / off
Privacy zones	8 areas user-definable
Lens	
Focal length	4.1 – 73.8 mm
Angle of view	approx. 48 – 2.7°
Aperture	F1.4 – F3.0
Remote control	
Stop time	1 – 120 s
Interface	RS485
Data rate	1200, 2400, 4800, 9600; DIP-switch selectable
Protocols*	SIEMENS, PELCO-D/P; VCL; KALATEL; VICON, ERNITEC
Mechanical / environmental	
Dimensions (Ø x H)	134 mm x 219.9 mm
Weight	1.75 kg
Operating temperature	0 – 50 °C
Storage temperature	-20 – +60 °C
Electrical	
Input voltage	24 V AC ±10%, 50 Hz
Power consumption	20 VA

* Note: 3rd party protocols may be subject to changes without notice.

Details for ordering

Type	Part No.	Designation	Weight
CCDA1425-DN	2GF1192-8AC	¼-inch CCD Day/Night High Speed Dome 480 TVL, PAL, 24 V AC	1.75 kg

Accessories

Type	Part No.	Designation	Weight
CCDA1425-WPH	2GF1192-8BA	Weatherproof outdoor housing	4.0 kg
CCDA1425-SM	2GF1192-8BB	Ceiling surface mount (indoor)	1.2 kg
CCDA1425-FM	2GF1192-8BC	Ceiling flush mount (indoor)	1.4 kg
CCDA1425-PMA	2GF1192-8BD	Pole mount adapter	0.8 kg
CCDA1425-WM	2GF1192-8BE	Wall mount	3.4 kg
CCDA1425-WMJ	2GF1192-8BF	Wall mount with junction box	4.8 kg
CCDA1425-PM	2GF1192-8BG	Pendant mount	3.0 kg
CCDA1425-CMA	2GF1192-8BH	Corner mount adapter	1.0 kg
CCDA1425-EP	2GF1192-8BJ	Extension pole	1.0 kg
CCDA1425-FMSB	2GF1192-8BK	Tinted/smoked bubble for CCDA1425-FM	0.3 kg
CCDA1425-SMSB	2GF1192-8BL	Tinted/smoked bubble for CCDA1425-SM	0.2 kg
CCDA1425-WPHSB	2GF1192-8BM	Tinted/smoked bubble for CCDA1425-WPH	0.6 kg
CCDA-IDPS	2GF1191-8BA	Indoor power supply 24 V AC	1.9 kg
CCDA-ODPS	2GF1191-8CA	Junction box with power supply 24 VAC	6.3 kg
