



## Color High Speed Dome Camera

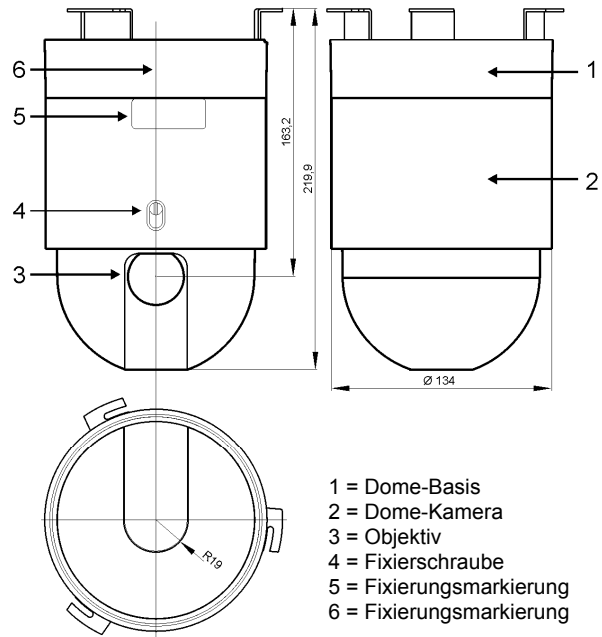
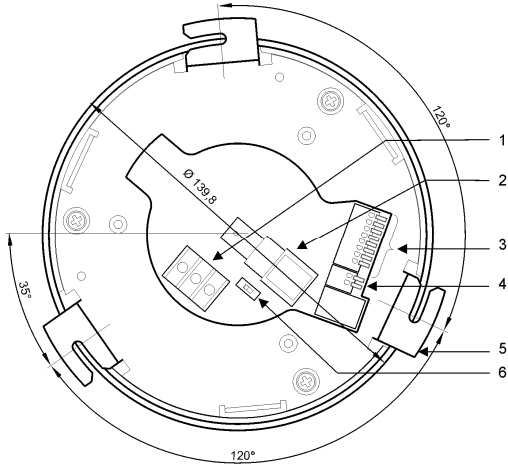
CCDA1435-ST

- High-speed dome camera (pan speed max. 400°/s)
- High resolution ¼ inch color camera
- Sensitivity 1.0 Lux
- 18x optical zoom (4.1 – 73.8 mm), 12x digital zoom
- 8 user-definable privacy zones
- Programmable tours and presets
- OSD / remote camera setup
- 20 characters preset titles
- 4 alarm inputs with AAM-function (Advanced Alarm Management)
- Proportional zoom
- Multi-protocols for remote configuration
- Wide range of accessories
- Easy installation
- RoHS conform

The Siemens CCDA1435-ST high-speed dome camera will perform well in standard color camera applications with a sufficient level of illumination and will provide crisp high resolution images. The camera includes market relevant features and is very simple to operate thanks to macro / preset commands that quickly access the dome configuration menus. Setting-up a camera from a remote keyboard has never been easier. A wide range of accessories are available and will meet most installation requirements.

## Dimensions

- 1 = Power terminal (24 V AC)
- 2 = BNC video output
- 3 = Alarm input/output
- 4 = Control input RS485
- 5 = Mounting bracket (3 legs)
- 6 = Bus termination switch (RS485)



## Technical data

### Operational

Manual pan speed	0.1 – 90°/s 0.1°/s: max. dig. zoom 0.4°/s: max. opt. zoom
Manual tilt speed	0.1 – 45°/s 0.1°/s: max. dig. zoom 0.4°/s: max. opt. zoom
Preset pan/tilt speed	pan: max. 400°/s tilt: max. 200°/s
Speed control	zoom-proportional: on/off
Pan range	360° continuous rotation
Tilt range	85° indoor; 92° outdoor
Pan/tilt limits	user-definable
Total zoom	216x
Auto Flip	on / off
Optical zoom	18 x
Digital zoom	12 x
Zoom stop	18 x, 36 x, 72 x, 144 x, 216 x
Programmable presets	64
Programmable tours	4
Programmable privacy zones	8
Scan function	random, frame and auto-scan selectable
Synchronisation	internal: crystal external: Line-Lock; phase adjustable
Alarm inputs	4 (linked to definable Functions, AAM)
Alarm outputs	1 (NO / NC)
OSD menu languages	English
Preset titles	max. 20 characters / preset
Password protection	alphanumeric Dome OSD setup protection

<b>Camera</b>	
Image sensor	¼-inch Super HAD CCD
Effective pixels	752 (H) x 582 (V)
Scanning system	PAL, 625 lines, 50 fields/s, 50 Hz (vertically), 15.625 Hz (horizontally)
Video output	CVBS: 1.0 Vpp, 75 Ohm,
Signal-to-noise	> 50 dB (typical)
Horizontal resolution	480 lines
Minimum illumination	1.0 lux (F1.4, 1/50 s)
White balance	ATW (2000 – 10.000 °K), auto (3000 – 7500 °K); one push
Gain	AGC
AE compensation	auto, manual, BLC
EV compensation	-10.5 – +10.5 dB
Back light compensation	BLC on / off
Electronic shutter	auto: 1/50 – 1/10.000 s manual: 16 steps
Auto slow shutter	—
Focusing system	auto (sensitivity: normal, low)
Focus	auto / manual
Day/night function	—
Privacy zones	8 areas user-definable
<b>Lens</b>	
Focal length	4.1 – 73.8 mm
Angle of view	approx. 48 – 2.7°
Aperture	F1.4 – F3.0
<b>Remote control</b>	
Stop time	1 – 120 s
Interface	RS485 (2-wire)
Data rate	2400, 4800, 9600, 19200; DIP-switch selectable
Protocols*	SIEMENS, PELCO-D/P; VCL; KALATEL, ER- NITEC, SENSOMATIC RS485, MONLYNX-D, DIP-switch selectable
<b>Mechanical / environmental</b>	
Dimensions (Ø x H)	134 mm x 219.9 mm
Weight	1.75 kg
Operating temperature	0 – 50 °C
Storage temperature	-20 – +60 °C
<b>Electrical</b>	
Input voltage	24 V AC ±10%, 50 Hz
Power consumption	20 VA

\* Note: 3<sup>rd</sup> party protocols may be subject to changes without notice.

## Details for ordering

Type	Part No.	Designation	Weight
CCDA1435-ST	2GF1193-8AA	¼-inch CCD Color High Speed Dome, 18 x zoom , 480 TVL, PAL, 24 V AC	1.75 kg

## Accessories

Type	Part No.	Designation	Weight
CCDA1425-WPH	2GF1192-8BA	Weatherproof outdoor housing	3.2 kg
CCDA1425-SM	2GF1192-8BB	Ceiling surface mount (indoor)	1.2 kg
CCDA1425-FM	2GF1192-8BC	Ceiling flush mount (indoor)	1.4 kg
CCDA1425-PMA	2GF1192-8BD	Pole mount adapter	0.8 kg
CCDA1425-WM	2GF1192-8BE	Wall mount	3.4 kg
CCDA1425-WMJ	2GF1192-8BF	Wall mount with junction box	4.8 kg
CCDA1425-PM	2GF1192-8BG	Pendant mount	3.0 kg
CCDA1425-CMA	2GF1192-8BH	Corner mount adapter	1.0 kg
CCDA1425-EP	2GF1192-8BJ	Extension pole	1.0 kg
CCDA1425-FMSB	2GF1192-8BK	Tinted/smoked bubble for CCDA1425-FM	0.3 kg
CCDA1425-SMSB	2GF1192-8BL	Tinted/smoked bubble for CCDA1425-SM	0.3 kg
CCDA1425-WPHSB	2GF1192-8BM	Tinted/smoked bubble for CCDA1425-WPH	0.3 kg
CCDA1425-WMI	2GF1192-8BQ	Wall mount (indoor)	1.3 kg
CCDA1425-PMI	2GF1192-8BN	Pendant mount adapter (indoor)	0.6 kg
CAPA2415-C230	2GF1800-8BK	Indoor power supply 24 V AC	1.9 kg
CCDA-ODPS	2GF1191-8CA	Junction box with power supply 24 V AC	6.3 kg