

# SC7 Smart Card Reader

## Installation Note



SC7



SC7P

### General

The SC7 is a Smart Card Reader that only reads data from the Chip Serial Number in Mifafre® cards. It provides as default a 26Bit Wiegand output, but this can be changed to Clock&Data by using a configuration card. The Reader is available in 2 variants – the SC7 Smart Card only Reader and SC7P Smart Card and keypad Reader.

### Installation

#### Mounting

The SC7 Smart Card Reader can be connected to a Granta 4422 Reader Module, Entro DC-12 or DC-22 Door Controllers or an Entro Lite DC800 Door Controller. The SC7 is prepared with a fixed 3m cable mounting.

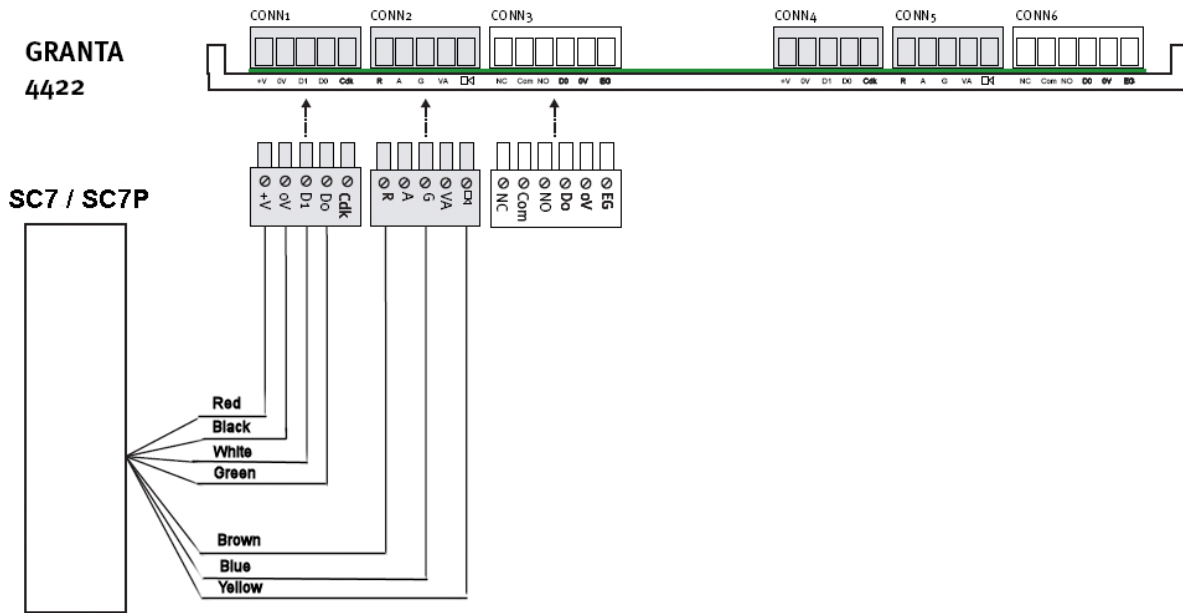
Remove the cover by pushing in the lug on its lower edge using a suitable screwdriver. Choose a suitable position to mount the Reader near the door. The SC7 Reader has a typical range of 2cm so it must be mounted in a position where the Smart Card can easily be brought within this distance. We recommend it is mounted approximately 1m (3.5ft) above the ground. Also consider ease of access to the door once the Smart Card has been read, for example, it is better to mount the Reader near the opening side of the door rather than the hinge side.

The Reader should be mounted with the LED at the top. Mark out and drill the two mounting holes over the hole for the cable (a drawing is provided on the last page in this document – Note: not to scale.) If this hole does not exist make sure to prepare for this as well, do not cut the cable less than 10cm (4in).

Do not fix the Reader to the wall yet. The holes accept 4mm machine screws or No 8 wood screws (provided with the Reader).

Connect the Reader according the wiring diagram on the following pages, depending of which system the Reader is connected to.

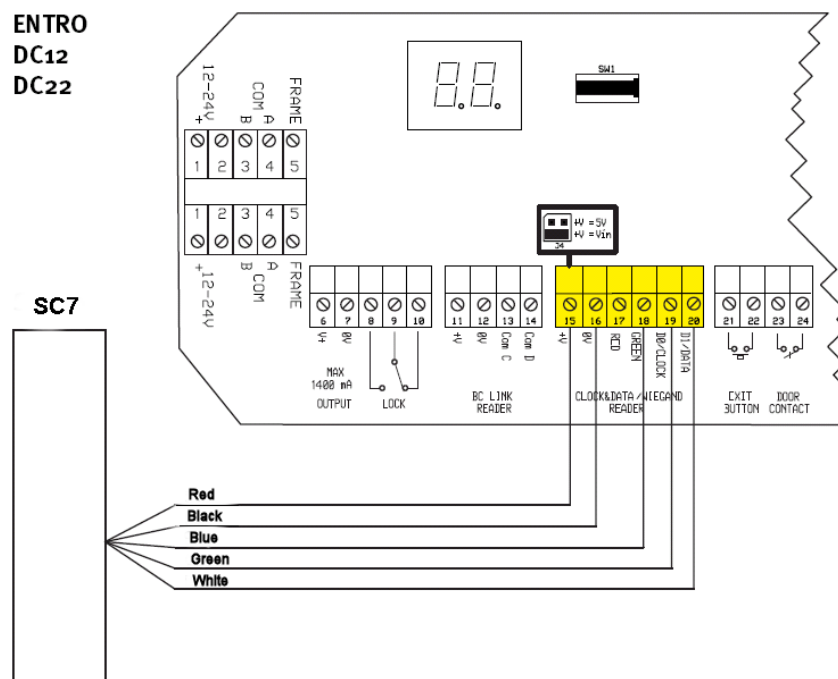
## Connection to a Granta 4422 Reader Module



## Configuration

See also the installation note for the Granta 4422 Reader Module in order to make necessary settings of the jumpers (Wiegand, +12V and active-low strobe signal). Use interface number 323 for definition of Access Points in Granta SW, configure a site code of 0 within the system & create and send a sequence file (.seq) with the following contents `%42C00:*C=2,23,26,D,D,D,D,1,26,0,1,1,0 ??#` to the system.

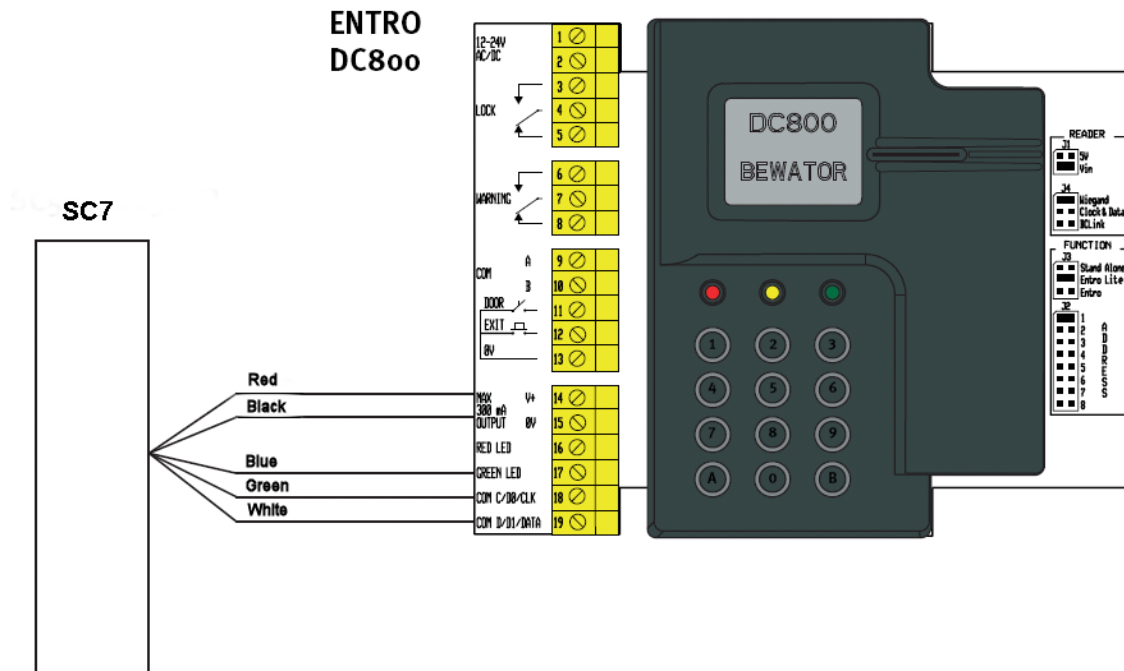
## Connection to Entro DC-12 and DC-22 Door Controllers



## Configuration

The interface used is Wiegand. Ensure that the power jumper is set to **VIN**.

## Connection to an Entro Lite DC800 Door Controller



### Configuration

Following jumper selections must be done:

- Reader type (J4) must be put on the Wiegand
- Voltage jumper (J1) to VIN
- Function jumper (J3) to Entro Lite
- (Note - if the DC800 is used in Entro - set J3 to Entro)

### Operation

When the Reader is powered the LED is flashing for 5 seconds. After these 5 seconds the LED flashes by the sequence red, yellow and green before the LED is switched off and the Reader is ready for use.

When a Smart Card is provided within the reading sector of the SC7 and the card is accepted, the yellow LED is lit for approximately 0.5 seconds at same time as a message is sent out. The yellow LED is only lit when a message is sent out from the Reader. After this the Reader goes back to wait state, code from the same card is not sent again before a time of 3 seconds has been elapsed provided the card has been out of the reading sector.

### Technical Specifications

**Power Supply:** 24V (+10 / +30 V)  
**Current consumption:** 100mA max  
**Interfaces:** Wiegand  
 Clock and Data  
**Housing:** Plastic  
**Dimensions:** SC7: 110 x 43 x 24  
 (H x W x D)mm: SC7P: 138 x 43 x 24  
**Temperature:** -40 to 55°C

**Storage temperature:** -40 to 55°C  
**IP Rating:** SC7: IP67  
 SC7P: IP47  
**Connection:** 3m cable  
**Led:** Tricolor  
**Buzzer:** Yes  
**Carrier frequency:** 13.56 MHz

### Hole Pattern Drawing

