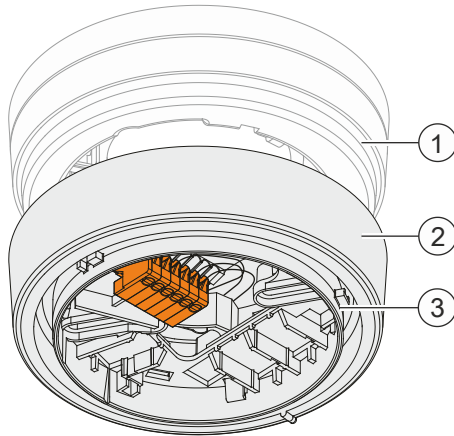


## Base adapter FDB281



### Function:

- For adapting MS8/PMT for Sinteso detector systems



- 1 Detector base Z84 (MS8/PMT)
- 2
- Base height: 37 mm
  - When using the point detector:  
73 mm

- 3 Adapter incl. detector base, 'orange'  
connection terminals