



FC721

Cerberus™ PRO

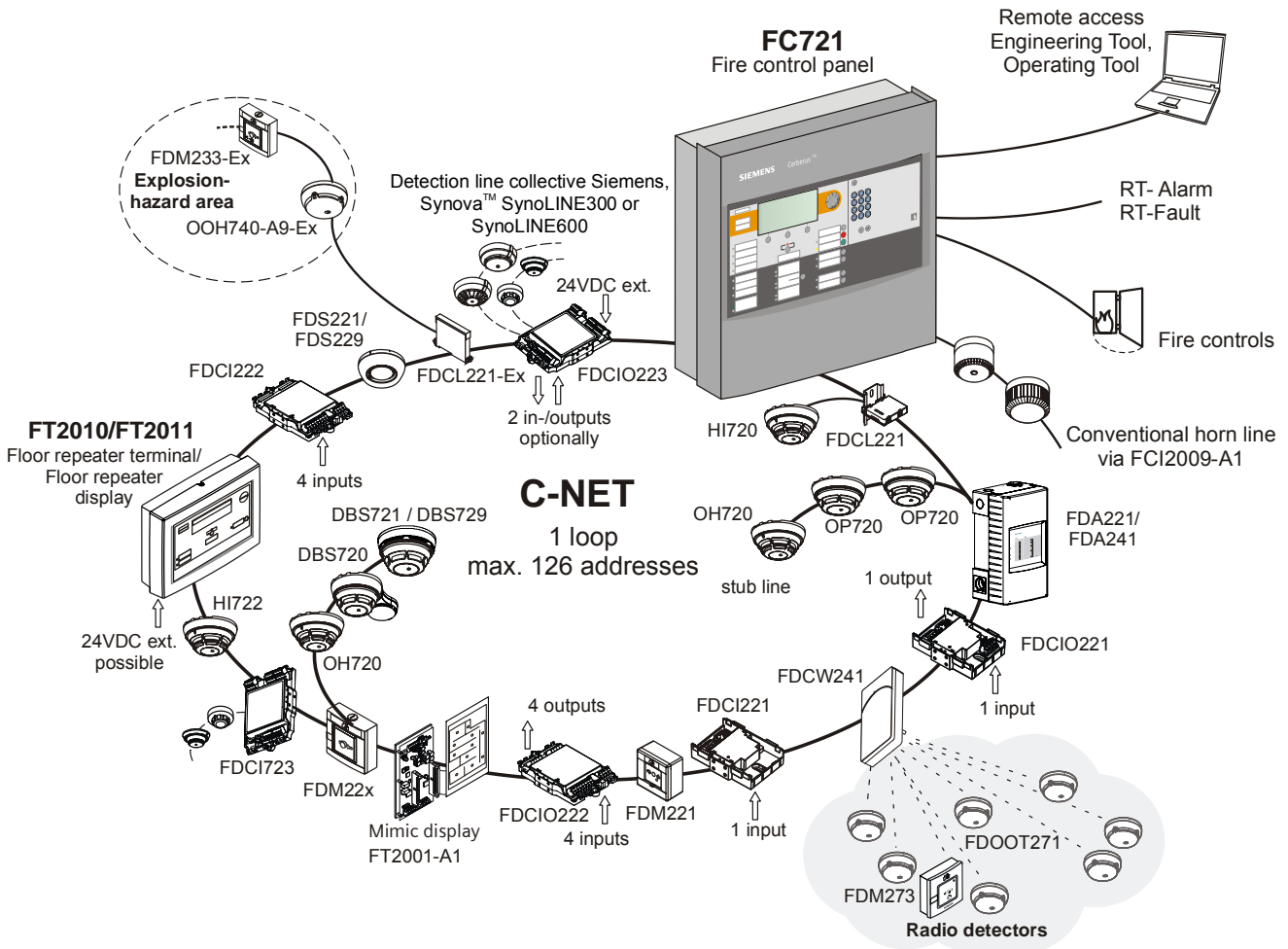
Fire control panel



FS720 series, IP6

- Compact, pre-assembled, microprocessor-controlled standalone fire control panel with integrated operating unit for up to 126 addresses
- Detection and automatic reading in (auto-configuration) of all C-NET devices, ready for operation immediately
- Processes signals from Cerberus PRO FD720 detector series
- Integrated degraded mode function
- Fast Ethernet interface for remote control service
- Can be extended by adding key switches
- Slot for one RS232 or RS485 serial interface
- Emergency power supply for emergency operating time of up to 72 hours
- Floor repeater displays, floor repeater operating units, and alarm devices on detector line (C-NET)
- Flexible configuration of complex applications and controls
- Configuration data can be uploaded/downloaded via remote access
- Firmware for all processor-controlled control panel components can be updated

System overview



Function features

- The FC721 is a compact standalone fire control panel with integrated operating unit for processing signals from FD720 devices.
- The control panel is custom-configured using the Cerberus-Engineering-Tool software.
- All the detector lines are monitored for ground faults.
- Customer texts can be adapted directly on the operating unit of the control panel or with the Cerberus-Engineering-Tool software.
- Up to 2000 events can be retrieved from the event memory based on various criteria.
- Automatic summer/winter time changeover

Function elements

Operating unit

The following elements are available on the operating unit:

- CPU module and electronics
- Ethernet connection
- Slot for RS232 or RS485 module
- Space for 'Kaba' or 'Nordic' key switch

Periphery board

Connection terminals for the following elements are available on the periphery board:

- C-NET lines
- Remote transmission (alarm, fault)
- Horn output
- Configurable control inputs and outputs
- Monitored alarm and fault output
- Power supply

Power supply unit 70 W, emergency power supply

The power supply feeds the hardware and charges the batteries.

In the event of a power cut, the batteries provide emergency current.

Configuration

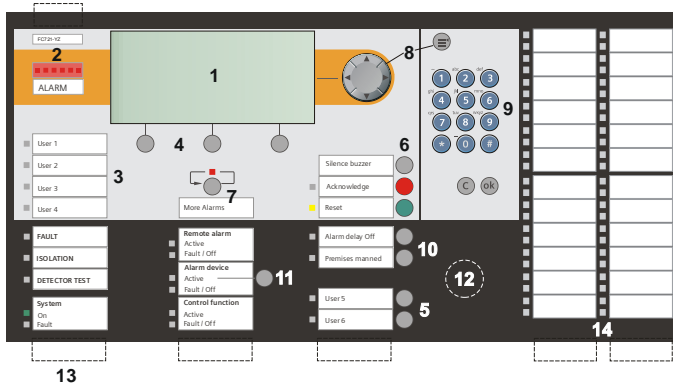
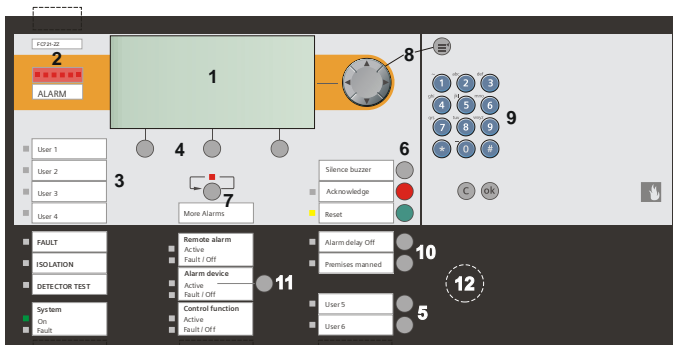
The FXS7212 Cerberus-Engineering-Tool allows the system to be customized.

Application ranges

The FC721 is ideal for smaller applications, e.g., for use in workshops or hotels.

Indication and operating elements

Each FC721 has an integrated operating unit.



- 1 8-line display with 40 characters per line with detailed text information about all events that occur:
 - Event type, event location, action texts, operating states
 - Instructions displayed directly in alarm situations to tell you what to do
 - Convenient operation via soft keys and navigation button
- 2 Alarm indicator, lights up red when an alarm event occurs
- 3 Four configurable LEDs and associated inscription fields
- 4 Soft keys for direct operation depending on state
- 5 Two buttons with LEDs, individually configurable
- 6 Buttons for 'Buzzer off', 'Acknowledge' message, and 'Reset' message
- 7 Button for scrolling through alarm messages
- 8 Navigation and menu buttons
- 9 Keypad for entering numeric and alphanumeric texts, e.g., password or customer text
- 10 Alarm organization buttons
- 11 Button and LEDs with inscription fields for alarming equipment
- 12 Optional key switch for operating access (Kaba or Nordic)
- 13 Insertable inscription strips
- 14 24 indicator groups with one red/green and one yellow LED each

Overview of fire control panels FC721

Housing (Eco)

FC721-ZZ



1 loop
with power supply (70 W)
Max. battery capacity 7 Ah

FC721-YZ

Featuring 24 indicator groups
with one red/green + one yellow LED each



1 loop
with power supply (70 W)
Max. battery capacity 7 Ah

Empty housing for free use

FH7201-Z3

Housing (Eco)
430 x 398 x 103 mm



E.g., for extra batteries,
Operating add-ons or
Event printer

FH7202-Z3

Housing (Standard)
430 x 398 x 183 mm



E.g., for extra batteries
Power supply
Space for batteries
2x FA2003-A1 (7 Ah) or
2x FA2004-A1 (12 Ah)

Internal printer

FTO2001-A1

Event printer



For installation in empty housing
RS232 module must
be ordered separately

External printer

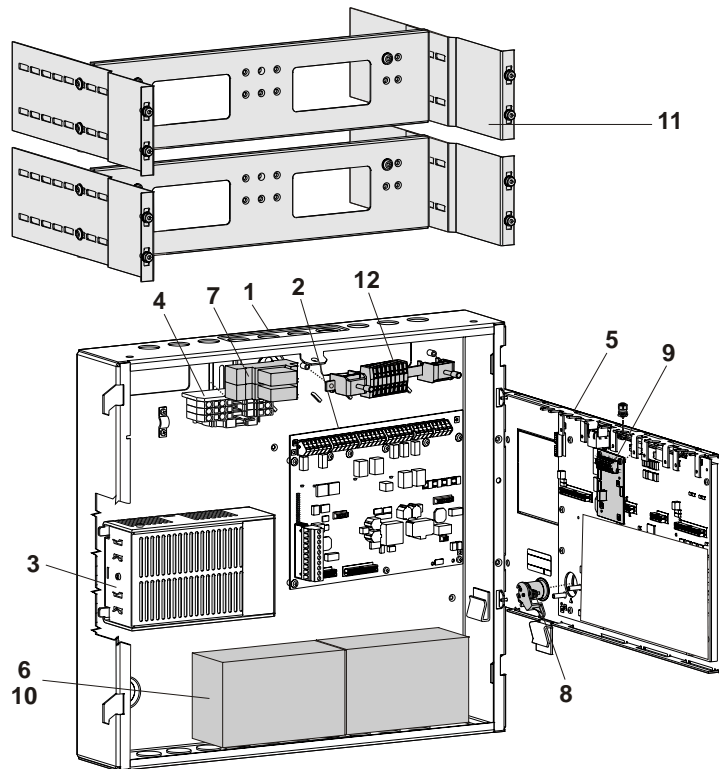
DL3750+

Matrix printer (external)
RS232 interface



RS232 module must
be ordered separately


Layout of FC721



Basic equipment		Designation	Notes	
1	Housing (Eco)	FH7201-A1	Items 1-5: Basic equipment for each FC721 (Eco)	
2	Periphery board (1-loop)	FCI2010-A1		
3	Power supply (70 W)	FP2015-A1		
4	Mains terminals on TS35 DIN rail	-		Space for two relay modules
5	Operating unit	FCM72xx-xx		Operating unit with CPU
6	Space for batteries	-	2x 12 V/7 Ah	
Extensions				
7	Relay module	Z3B171	Relay for fire controls	
8	Key switch (Kaba)	FTO2005-C1	For operating access authorization	
	Key switch (nordic)	FTO2006-B1		
9	RS485 module (isolated) or	FCA2002-A1	For peripheral devices with RS485 interface	
	RS232 module (isolated)	FCA2001-A1	For devices with an RS232 interface	
10	Battery (12 V, 7 Ah, VDS)	FA2003-A1	For the emergency power supply	
11	19" mounting kit	FHA2016-A1	For installation in 19" third-party housing	
12	Cable kit (communication)	FCA2014-A1	For flexible cable joints running to the modules on the operating unit	

Technical data

Mains voltage	AC 97...127 V/AC 196...253 V
Power supply	70 W
Operating voltage	DC 20.5...28.6 V
Operating current	Max. 2.5 A
Battery capacity	2x 12 V, 7 Ah
Battery monitoring	Yes
Network monitoring	Yes
Connectable detector series	Cerberus PRO FD720 (C-NET)
Number of lines	
– Loop or	1 loop with 126 C-NET devices
– Stub	2 stubs with 32 C-NET devices
Number of addresses	Max. 126
Integrated inputs/outputs	
– Relay output	
– RT alarm	1
– RT fault	1
– Monitored outputs	
– Alarm	1
– Fault	1
– Horn	1
– Freely programmable inputs/outputs	4
Operating unit	Integrated
Slot for serial interface	
– RS232 or RS485	1
Mounting space for cable kit (communication)	1
Ethernet connection RJ45	1
Operating temperature	-8...+42 °C
Storage temperature	-20...+60 °C
Air humidity (no moisture condensation permitted)	≤95 % rel.
Dimensions (W x H x D)	
– Without cover cap	430 x 398 x 80 mm
– With cover cap	430 x 398 x 103 mm
Color	
– Housing	~RAL 7035, light gray
– Cover cap	~RAL 000 50 00
Protection category (IEC 60529)	IP30
Approvals	
– LPCB	126bn/05
– FM	3051081

09  0786	FC721-HZ / FC721-YZ / FC721-ZZ	Siemens Switzerland Ltd; Gubelstrasse 22 CH-6301 Zug Technical data: see doc. A6V10210355
FC721 - Control and Indicating Equipment incl. FP2001 or FP2015 - 70W/24VDC Power Supply Equipment for use in fire detection and fire alarm systems installed in buildings.		
305/2011/EU (CPR): EN 54-2 / EN 54-4 ; 2014/30/EU (EMC): EN 50130-4 / EN 61000-6-3 ; 2014/35/EU (LVD): EN 60950-1 ; 2011/65/EU (RoHS): EN 50581		
The declared performance and conformity can be seen in the Declaration of Performance (DoP) and the EU Declaration of Conformity (DoC), which is obtainable via the Customer Support Center: Tel. +49 89 9221-8000 or http://siemens.com/bt/download		
DoP No.: 0786-CPR-20721; DoC No.: CED-FC721		

Details for ordering

	Type	Art. no.	Designation	Weight
Control panels	FC721-ZZ	S54400-C32-A2	Fire control panel (1L)	8.900 kg
	FC721-YZ	S54400-C32-A3	Fire control panel (1L, 1LED)	9.000 kg
Extensions	Z3B171	BPZ:4843830001	Relay module AC 250 V / 10 A (1 relay)	0.042 kg
	FTO2001-A1	A5Q00010126	Event printer	0.250 kg
	–	A5Q00017619	Spare printer reels (10 reels)	0.090 kg
	FTO2005-C1	A5Q00010113	Key switch (Kaba)	0.013 kg
	FTO2006-B1	A5Q00010129	Key switch (nordic)	0.050 kg
	FCA2002-A1	A5Q00009923	RS485 module (isolated)	0.067 kg
	FCA2001-A1	A5Q00005327	RS232 module (isolated)	0.068 kg
	FCA2014-A1	A5Q00023027	Cable kit (communication)	0.224 kg
	FH7201-Z3	S54400-B72-A101	Housing (Eco)	5.700 kg
	FH7202-Z3	S54400-B70-A101	Housing (Standard)	7.500 kg
	FHA2016-A1	A5Q00020179	19" mounting kit	3.000 kg
Auxiliary power supply	FP2015-A1	S54400-B121-A1	Power supply (70 W)	1.300 kg
	FP2004-A1	A5Q00020825	Power supply kit (150 W, A) for installation into empty housing	1.366 kg
Batteries	FA2003-A1	A5Q00019353	Battery (12 V, 7 Ah, VDS)	2.450 kg
	FA2004-A1	A5Q00019354	Battery (12 V, 12 Ah, VDS)	3.930 kg
	FA2006-A1	A5Q00019356	Battery (12 V, 26 Ah, VDS)	7.572 kg
External printer	DL3750+	A5Q00023962	Matrix printer (external)	7.300 kg
Spare part	–	A5Q00023963	Color ribbon for matrix printer DL3750+	0.078 kg