



CCIS1425 CCMW1025, CCMS2025

IP Camera Range (VGA, HD 720p & 2MP)
H.264, MPEG-4, MJPEG



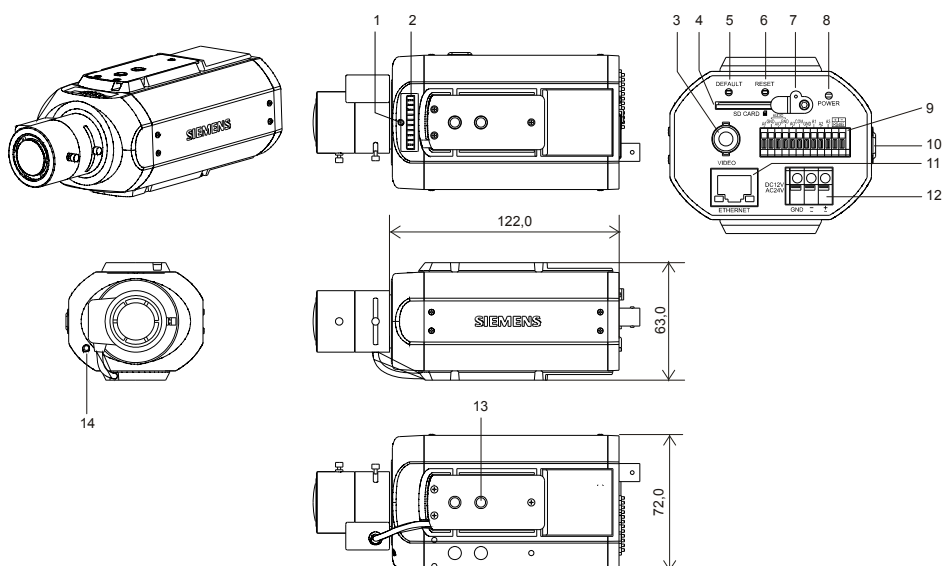
The new range of Siemens IP cameras combines the requirements of classic analogue CCTV cameras with the high performance, flexibility and IT security of a modern video-over-IP device. Thanks to hybrid technology, this camera range allows the upgrade of existing video installations to state-of-the-art IP systems.

The new range includes three model variations that ensure the best camera solution is available for almost any networking application. The three models range from VGA up to 2 megapixel resolution (HD image quality) and ensure the best possible image quality for indoor requirements. Thanks to the H.264, MPEG-4 & MJPEG triple encoding functionality, and the state-of-the-art ONVIF compatibility these cameras can be easily integrated into 3rd party systems. Their compact design is an ideal fit even for stylish environments.

- H.264, MPEG-4 & MJPEG triple encoding
- VGA, HD 720p (WD) and 2 MP models available
- Hybrid video: CVBS: up to 480 TVL
- Bidirectional mono audio
- ONVIF protocol support
- Excellent low-light sensitivity
- Motion detection
- Local alarm recording on SD card
- 8 user-definable privacy zones
- 12 V DC, 24 V AC or PoE power supply
- Integrated web server
- Audio In, integrated microphone
- CVBS video control output (BNC)
- Day/Night and Wide Dynamic hybrid IP cameras
- Day/Night & Wide Dynamic camera with built-in mechanical IR-cut filter
- Motion detection and event e-mail notification

Answers for infrastructure.

SIEMENS



Legend

- 1 Back-focus locking screw
- 2 Back-focus adjustment ring
- 3 BNC connector
- 4 SD card slot
- 5 Default button
- 6 Reset button
- 7 SD card protection
- 8 Power indicator
- 9 Digital I/O terminal
- 10 IRIS connector
- 11 RJ45 Ethernet connector
- 12 Power supply terminal
- 13 ¼ -inch 20 UNC female thread
- 14 Microphone

■ Details for ordering

Type	Part number	Designation	Weight
CCIS1425	S54561-C91-A2	1/4" IP Box Camera, VGA, D/N	430 g
CCMW1025	S54561-C91-A7	1/3" IP Box Camera, HD 720p, D/N, WD	430 g
CCMS2025	S54561-C91-A5	1/3" IP Box Camera, 2 MP, D/N,	430 g

■ Technical data VGA camera

CCIS1425	
Image sensor	1/4" VGA CMOS image sensor MT9V136
Effective pixels	680 (H) x 512 (V)
Image compression method	MPEG4 / Motion JPEG / H.264
Image frame rate	D1, VGA 25 fps
Monitor output	CVBS: 1V _{ss} , 75 Ω, PAL
Electrical	
Synchronisation	Internal
Signal/noise ratio	> 50 dB
Lens mount	C/CS with adapter
IR cut filter	Yes
Gamma correction	0,45
Sensitivity Colour / B&W	Colour: 0.2 lux (F1.2) 50 IRE B/W: 0.1 lux (F1.2) 50 IRE
White balance	Off/On/Outdoor/Indoor
Electronic shutter	AES 1/50 – 1/10000 s
Back-light compensation (BLC)	6 zones
Automatic gain control (AGC)	Yes
Audio codec	G.711 (U-law, A-law)
Audio feature	Two-way mono audio; full duplex
Alarm	Yes; 3x Alarm In & 1x Alarm Out

Motion detection	Yes; 16x 12 MD windows & 3 sensitivity levels
Privacy zones	8
Image enhancement	2 DNR
Storage medium	SD card, up to 32 GB (2 GB SD card included in the delivery)
Power supply	
Power requirement	DC 12 V / AC 24 V / PoE
Power consumption	5.5 W
Power connector	Terminal block
Environment	
Environmental operating temperature	0 – 50°C
Relative humidity	0 – 80%
Storage temperature	-20 to +60°C
Network	
Web browser	IE 6.0 above/ Firefox, Safari with VLC plug-in
Security	Firewall / forbidden protocol / 802.1x
Ethernet	1 x 10/100 base-T Ethernet connection for LAN
Internet protocol	TCP/IP, UDP, HTTP, HTTPs, SMTP, SNMP, DNS, DHCP, NTP, ARP, ICMP, FTPc, FTPs, DDNS, RTSP (RTP, RTCP), IGMP v3, UpnP, CIFS, NFS, IEC802.1x, ONVIF
Connections	RJ-45 for Ethernet 10BaseT/100BaseTX (PoE) Power connector (terminal block type) Terminal block for 3 alarm inputs, 1 output
I/O connector	
Network port	RJ45 with LEDs
Audio IN/OUT	Spring type terminal block
Video output	BNC
Mechanical	
Dimensions (L x W x H)	122 x 72 x 63 mm

■ Technical data megapixel cameras

	CCMW1025	CCMS2025
Image sensor	1/3" CMOS image sensor OV10633 WDR	1/3" 1080p HD CMOS image sensor OV2715
Effective pixels	1280 (H) x 720 (V)	1920 (H) x 1080 (V)
Image compression method	H.264 / MPEG4 / MJPEG (Triple streaming)	H.264 / MPEG4 / MJPEG (Triple streaming)
Image frame rate	720P, SVGA, VGA 25 fps	720P, SXGA, VGA 25 fps
Monitor output	CVBS: 1 Vss, 75 Ω, PAL	CVBS: 1 Vss, 75 Ω, PAL
Electrical		
Synchronisation	Internal	Internal
Signal/noise ratio	> 50 dB	> 50 dB
Wide Dynamic Range	115 dB	-
Lens type	C/CS with adapter	C/CS with adapter
IR cut filter	Yes	Yes
Gamma correction	0,45	0,45
Sensitivity Colour / B&W	Colour: 0.5 lux (F1.2) 50 IRE B/W: 0.3 lux (F1.2) 50 IRE	Colour: 0.5 lux (F1.2) 50 IRE B/W: 0.3 lux (F1.2) 50 IRE
White balance	Off/On/Outdoor/Indoor	Off/On/Outdoor/Indoor
Electronic shutter	AES 1/25 – 1/10000 s	AES 1/25 – 1/10000 s
Back-light compensation (BLC)	6 zones	6 zones
Automatic gain control (AGC)	Yes	Yes
Audio codec	G.711 (U-law, A-law)	G.711 (U-law, A-law)
Audio feature	Two-way mono audio; full duplex	Two-way mono audio; full duplex
Alarm	Yes; 3x Alarm In & 1x Alarm Out	Yes; 3x Alarm In & 1x Alarm Out
Motion detection	Yes; 16x 12 MD windows & 3 sensitivity levels	Yes; 16x 12 MD windows & 3 sensitivity levels
Privacy zones	8	8
Image enhancement	2 DNR	2 DNR
Storage medium	SD card, up to 32 GB (2 GB SD card included in the delivery)	SD card, up to 32 GB (2 GB SD card included in the delivery)
Power supply		
Power requirement	DC 12 V / AC 24 V / PoE	DC 12 V / AC 24 V / PoE
Power consumption	5.5 W	5.5 W
Power connector	Terminal block	Terminal block
Environment		
Environmental operating temperature	0 – 50°C	0 – 50°C
Relative humidity	0 – 80%	0 – 80%
Storage temperature	-20 to +60°C	-20 to +60°C

Network	CCMW1025	CCMS2025
Web browser	IE 6.0 above/ Firefox, Safari with VLC plug-in	IE 6.0 above/ Firefox, Safari with VLC plug-in
Security	Firewall / forbidden protocol / 802.1x	Firewall / forbidden protocol / 802.1x
Ethernet	1 x 10/100 base-T Ethernet connection for LAN	1 x 10/100 base-T Ethernet connection for LAN
Internet protocol	TCP/IP, UDP, HTTP, HTTPs, SMTP, SNMP, DNS, DHCP, NTP, ARP, ICMP, FTPc, FTPs, DDNS, RTSP (RTP, RTCP), IGMP v3, UpnP, CIFS, NFS, IEC802.1x, ONVIF	TCP/IP, UDP, HTTP, HTTPs, SMTP, SNMP, DNS, DHCP, NTP, ARP, ICMP, FTPc, FTPs, DDNS, RTSP (RTP, RTCP), IGMP v3, UpnP, CIFS, NFS, IEC802.1x, ONVIF
Connections	RJ-45 for Ethernet 10BaseT/100BaseTX (PoE) Power connector (terminal block type) Terminal block for 3 alarm inputs, 1 output	RJ-45 for Ethernet 10BaseT/100BaseTX (PoE) Power connector (terminal block type) Terminal block for 3 alarm inputs, 1 output
I/O connector		
Network port	RJ45 with LEDs	RJ45 with LEDs
Audio IN/OUT	Spring type terminal block	Spring type terminal block
Video output	BNC	BNC
Mechanical		
Dimensions (L x W x H)	122 x 72 x 63 mm	122 x 72 x 63 mm

The information in this document contains general descriptions of technical options available, which do not always have to be present in individual cases. The required features should therefore be specified in each individual case at the time of closing the contract.

© Siemens AG • Document No. A6V10333969 • Edition: 09.02.2012

Siemens AG
Siemensallee 84
D-76187 Karlsruhe
Tel. +49 721 595 1

www.siemens.com/securityproducts