



# Varifocal Lenses

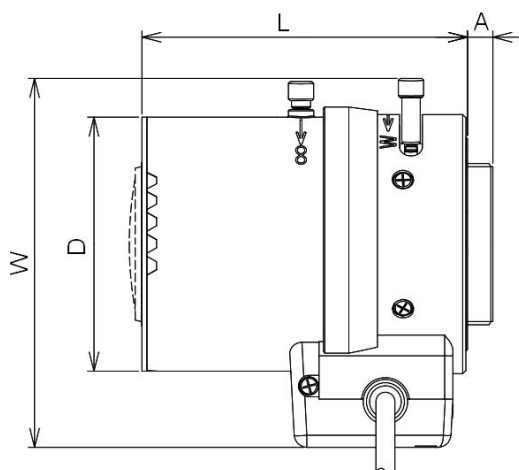
Lenses with high quality aspherical glass optics



CLVD1318/1040  
CLVD1218/10-40  
CLVD1218/4-12  
CLVD1316/3-8  
CLVD1315/2,8-12  
CLVD1318/2811  
CLVD1325/5-50

Siemens line of Vari-Focal lenses feature greater maximum apertures allowing higher light sensitivity, larger magnification ratios, compactness and uncompromised optical quality. Through the beneficial employment of aspherical elements, our lenses minimise optical aberrations and ensure high optical quality. Our optimum IR correction (in certain models) compensates for focus shift that occurs when the illumination changes from visible to infrared light, making Siemens lenses suitable for day/night cameras. Adjustable screw locks ensure focal-length and focus adjustments are easy to set up and maintain the accurate settings selected by the installer over time.

- Aspherical lenses ensure excellent image quality
- Auto-iris (DC) lenses supplied with pre-fitted plug
- High reliability galvanometric auto-iris mechanisms
- Integrated F360 neutral density filter makes these ideal for indoor & outdoor applications
- Screw-lock focal length & focus adjustment
- Slip mount mechanism
- Compact size



## Functionalities

### CLVD Series

Varifocal, manual focus, direct drive (DC-type) auto-iris lenses with standardized plug.

### Slip-mount mechanism

Each lens is equipped with a slip-mount mechanism that allows rotational adjustment of the lens after it is mounted on a camera. This allows optimal positioning of the auto-iris actuator and cable during installation.

### IR-corrected lenses

Unlike standard lenses, IR corrected lenses compensate the focus shift without focus adjustment, which occurs when the illumination changes from visible to infrared light.

### Multi-coated lenses

Multiple-layer coating prevents light losses in both visible and infrared ranges, improving transmission, and reducing ghost and flare effects.

### Aspherical lenses

An aspherical lens focuses the light passing through its centre and the light passing through its edges on a single point. This results in crisp, sharply focused images in the center and in the corners of the image.

### LD & AD Glass element

Each lens is made with Low Dispersion (LD) glass element and Anormalous Dispersion (AD) glass element which both improve the lens optical performance by reducing the chromatic aberration (Color distortion).

### Technical data

Type	CLVD1318/1040	CLVD1218/10-40	CLVD1218/4-12	CLVD1316/3-8
Focal Length (f)	10 – 40 mm	10 – 40 mm	4 – 12 mm	3 – 8 mm
Video Sensor size (recommended for)	1/3"	1/2"	1/2"	1/3"
Mount Type	CS	C	C	CS
Iris Control	Direct Drive (DC) Auto-Iris	Direct Drive (DC) Auto-Iris	Direct Drive (DC) Auto-Iris	Direct Drive (DC) Auto-Iris
Aperture range	F1.4 – F360	F1.4 – F360	F1.2 – F360	F1.0 – F360
Horizontal angle of view	7.0° – 27.5°	9.3° – 37.5°	31.2° – 93.7°	35.7° – 92.5°
Vertical angle of view	5.2° – 20.4°	7° – 27.6°	23.4° – 68.9°	26.8° – 68°
Minimum object distance (MOD)	0.5 m	0.5 m	0.3 m	0.2 m
Focus type	Manually adjustable with lock	Manually adjustable with lock	Manually adjustable with lock	Manually adjustable with lock
Aspherical lens	Yes	Yes	Yes	Yes
Infrared corrected (Day/night)	Yes	Yes	Yes	Yes
Operating voltage Iris working area (open/Close)	3.0V / 0.5V	3.0V / 0.5V	3.0V / 0.5V	4.0V / 0.5V
Operating temperature	-20 – +60 °C	-20 – +60 °C	-20 – +60 °C	-20 – +60 °C
Dimensions (mm) :				
• D	38.7	38.6	40.0	33.0
• W (max)	57.1	57.1	54.0	47.5
• L (max)	66.9	61.8	50.3	40.2
• A	4.0	4.0	4.0	5.0

Type	CLVD1315/2,8-12	CLVD1318/2811	CLVD1325/5-50
Focal Length (f)	2.8 – 12 mm	2.8 – 11 mm	5 – 50 mm
Video Sensor size (recommended for)	1/3"	1/3"	1/3"
Mount Type	CS	CS	CS
Iris Control	Direct Drive (DC) Auto-Iris	Direct Drive (DC) Auto-Iris	Direct Drive (DC) Auto-Iris
Aperture range	F1.4 – F360	F1.4 – F360	F1.4 – F360
Horizontal angle of view	24.1° – 97.4°	26.2° – 97.4°	5.6° – 53.6°
Vertical angle of view	18.1° – 72.5°	19.7° – 72.4°	4.2° – 40.3°
Minimum object distance (MOD)	0.3 m	0.3 m	0.3 m
Focus type	Manually adjustable with lock	Manually adjustable with lock	Manually adjustable with lock
Aspherical lens	Yes	Yes	Yes
Infrared corrected (Day/night)	No	Yes	No
Operating voltage Iris working area (open/Close)	3.3V / 0.7V	4.0V / 0.5V	4.0V / 0.7V
Operating temperature	-20 – +60 °C	-20 – +60 °C	-20 – +60 °C
Dimensions (mm) :			
• D	41.0	40.0	40.0
• W (max)	52.5	51.2	57.7
• L (max)	53.0	54.6	59.2
• A	4.7	4.0	4

#### ■ Details for ordering

Type	Part no	Designation	Weight*
CLVD1318/1040	2GF1667-8AS	Varifocal Lens 10–40mm CS mount Aspherical ; IR corrected ; F1.4–360 ; 1/3"	0.089 kg
CLVD1218/10-40	2GF1651-8AA	Varifocal Lens 10–40mm C mount Aspherical ; IR corrected ; F1.4–360, 1/2"	0.087 kg
CLVD1218/4-12	2GF1651-8AB	Varifocal Lens 4–12mm C mount Aspherical ; IR corrected ; F1.2–360, 1/2"	0.068 kg
CLVD1316/3-8	S54561-B306-A1	Varifocal Lens 3–8mm CS mount Aspherical ; IR corrected ; F1.0–360, 1/3"	0.045 kg
CLVD1315/2,8-12	S54561-B304-A1	Varifocal Lens 2.8–12mm CS mount Aspherical ; F1.4–360 ; 1/3"	0.071 kg
CLVD1318/2811	2GF1667-8AR	Varifocal Lens 2.8–11mm CS mount Aspherical ; IR corrected ; F1.4–360 ; 1/3"	0.079 kg
CLVD1325/5-50	2GF1667-8AU	Varifocal Lens 5–50mm CS mount Aspherical ; F1.4–360 ; 1/3"	0.084 kg

\* Device incl. packing material, accessories that are included in the delivery, and documentation

The information in this document contains general descriptions of technical options available, which do not always have to be present in individual cases. The required features should therefore be specified in each individual case at the time of closing the contract.

© Siemens AG • Document no. A6V10360769 • Edition: 20.03.2012 • Document version: 1.0

Siemens AG  
Siemensallee 84  
D-76187 Karlsruhe  
Tel. +49 721 595 1

[www.siemens.com/securityproducts](http://www.siemens.com/securityproducts)