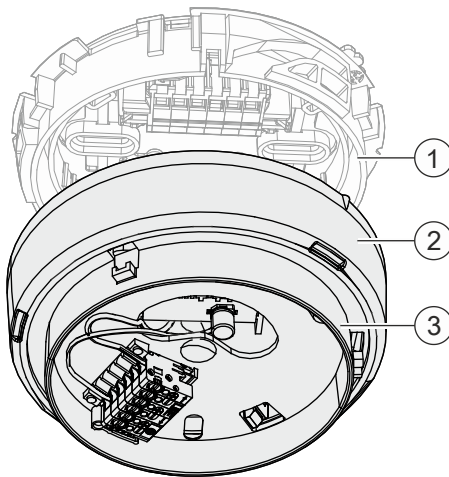


Base adapter FDB299



Function:

- For adapting AlgoRex (collective) and SIGMACON for Sinteso detector systems



- | | | | |
|---|---|---|--|
| 1 | <ul style="list-style-type: none">• DB1101A detector base (collective, AlgoRex)• SPF600 detector base (SIGMACON) | 3 | Adapter incl. detector base, 'gray' connection terminals |
| 2 | <ul style="list-style-type: none">• Base height: 29.5 mm• When using the point detector: 74.5 mm | | |