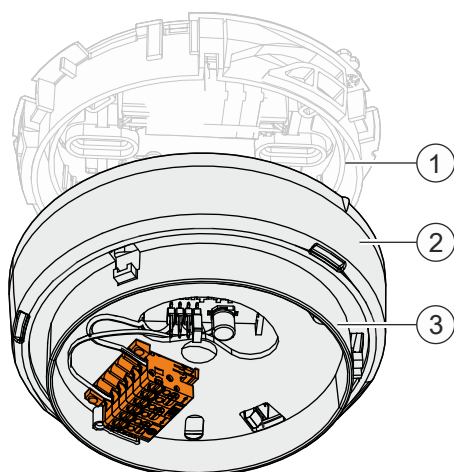


## Base adapter FDB241



### Function:

- For adapting AnalogPLUS and SIGMALOOP for Sinteso detector systems
- Can be set with jumper on replaced detector



- |   |  |   |  |
|---|--|---|--|
| 1 | <ul style="list-style-type: none"><li>• SPF3600 detector base (SIGMALOOP)</li><li>• DB1131A detector base (AnalogPLUS)</li></ul> | 3 | Adapter incl. detector base, 'orange' connection terminals |
| 2 | <ul style="list-style-type: none"><li>• Base height: 29.5 mm</li><li>• When using the point detector: 74.5 mm</li></ul>          |   |  |