

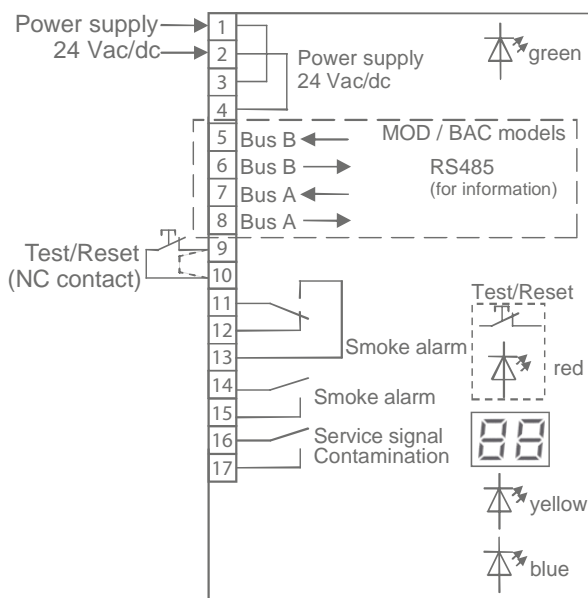
DUCT SMOKE DETECTOR KRM-2

KRM-2 duct smoke detector is designed for smoke detection in ventilation ducts. The detector is a combination of a smoke detector and an adapter system. The adapter system has been specially designed for optimal air flow through the smoke detector. The air duct sensor measuring tube transports the air through the sensing chamber and back into the air duct. Measuring tube is designed to detect smoke at very low flow rates.

KRM-2 sensor smoke detection is based on light scattering. The device housing includes a RM3.3 / ALK-E type smoke alarm as well as flow monitoring, electronics, terminals and user interface. KRM-2 reacts immediately to smoke and triggers an alarm. Over time, the sensor becomes contaminated. Because of alarm threshold tracking, the sensitivity up to total pollution remains the same. The contamination level is indicated in a two-digit LED display. KRM-2-MOD and KRM-2-BAC models are equipped with bus interface RS-485.

KRM-2 can be mounted directly to a rectangular and uninsulated ventilation duct. To mount the detector to round or insulated duct, a special fitting plate is needed. For suitable mounting the air measuring tube can be cut shorter. 160 mm is a minimum length of the tube.

Wiring



Technical data

Supply	24 Vac/dc (21,6...27,6 V)
Sensor	Optical RM3.3 (ALK-E)
Rated current	max. 140 mA
Relay outputs	floating
Alarm relay	1 changeover contact, 8 A, 250 Vac or 24 Vdc.
	1 NC, 8 A, 250 Vac or 24 Vdc.
Contamination relay	NC contact, 6 A, 250 Vac or 24 Vdc
Operating conditions	
temperature	-20...50 °C
humidity	10...95 % non-condensing
air flow	1...20 m/s
Housing	IP54, ABS
Air measuring tube	Aluminium / plastic, length 160...600 mm
Dimensions (w x h x d)	166 x 257 x 77 mm
Cable glands	3 x M16

Ordering guide:

Model	Product number	Description
KRM-2	1137010	duct smoke detector
KRM-2-MOD	1137020	Modbus duct smoke detector
KRM-2-BAC	1137030	BACnet duct smoke detector
KS	1137011	mounting plate for round or insulated ducts
WDG	1137012	IP65 housing for KRM-2
KS-WDG	1137013	mounting plate for round or insulated ducts (with WDG)
RDP 300	1137014	test gas
KRM-RM3.3	1137016	smoke sensor

Products fulfil the requirements of directive 2004/108/EC and are in accordance with the standards EN61000-6-3 (Emission) and EN61000-6-2 (Immunity).