



GB12

GB

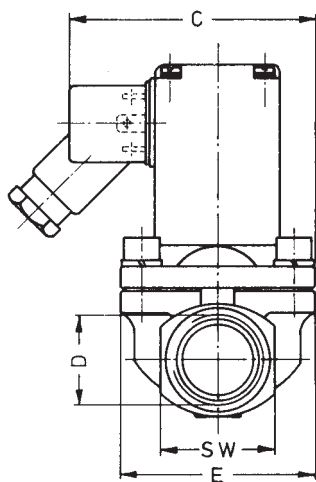
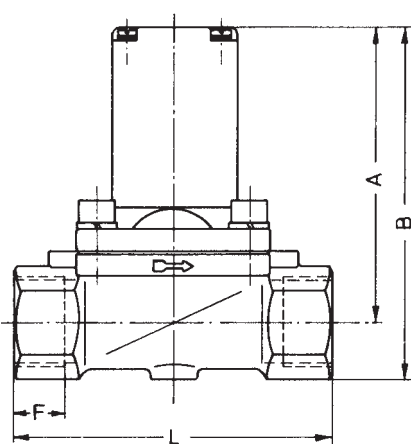
Solenoid valves for gaseous and liquid media

Normally closed, also stainless steel 1.4410

Function is not dependent on a specific minimum differential pressure; the valves operate correctly with no pressure, at slight differential pressure, right through to maximum pressure.

They are therefore the valves of choice for installation in plants where differential pressures fluctuate greatly and are not possible to determine precisely in advance. The valves are also suitable for use in heating and cooling circuits. Power socket included.

Dimensioned drawings (mm)



Technical data

Type	2/2-way
Operating mode	normally closed
Type of construction	Diaphragm solenoid valve, coupled. No initial pressure needed.
Materials	Casing: brass, internal parts: stainless steel Alternatively: Casing: stainless steel 1.4410, internal parts: stainless steel
Sealing material	Perbunan
Mounting position	Any, solenoid system preferably upright
Temperature of medium	-10°C to 90°C
Max. ambient temperature	55°C
Max. viscosity	Approx. 21 mm ² /s
Power consumption	100 to 120 VA (start) 25 VA / 12 W (operation)
Operating frequency	Up to 50 cycles per minute
Duty cycle	100% ED
Electrical connection	Angled plug to DIN EN175301
Voltage / current type	Standard version 230 V, 45–60 Hz
Protection class	IP 65 according to DIN EN60529 with plug

Product Summary

Type	DN (mm)	Pressure range (bar)	kvs-value (m ³ /h)	Connection thread	Weight (kg)
Brass valve body					
GB 12	12	0–16	2,8	G 1/2"	1,0
GB 20	20	0–16	5,0	G 3/4"	1,4
GB 25	25	0–16	10,0	G 1"	1,8
Stainless steel 1.4410 valve body, seal: Viton					
GB 12 VA	12	0–16	2,8	G 1/2"	1,0
GB 20 VA	20	0–16	5,0	G 3/4"	1,4
GB 25 VA	25	0–16	10,0	G 1"	1,8

Device plug with LED display

Type
for 200 V – 240 V AC/DC
ST221

DN	D	A	B	C	E	L	hex	F
15	G 1/2"	80	95.5	73	40	74.5	27	14
20	G 3/4"	106	122	86.5	60	100	32	16
25	G 1"	110.5	131	91.5	70	115	41	18