



RTAN...

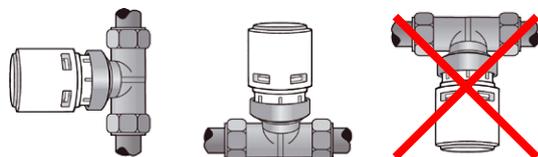
Thermal actuators

Thermal actuator with position indicator for control of valves in heating or cooling systems. The actuator can be used for controlling radiator circuits, solar heating systems, heating or cooling coils, floor heating, etc. To be combined with the VTTV/VTTR/VTTB range of valves.

The actuator uses a wax element and a compression spring. It is equipped with a position indicator.

Installation

Mount the actuator onto the thread of the valve body and tighten the metal ring. The actuator may only be mounted when it is cold, i.e. not powered up. The actuator can be mounted vertically or horizontally. It cannot be mounted upside down.



Function

When the supply voltage is switched on the wax element is heated, causing the built-in piston to move. The force generated by the movement is transferred to the valve stem, opening and closing the valve.

The valve is opened* when the actuator stem extends outwards from the actuator.

When the power is cut and the hold time has elapsed, the wax element cools and the valve is closed* by the return spring and the inward movement of the actuator stem.

The compression spring keeps the valve normally closed (NC).

**This applies to valves that open when the stem is pushed down and close upwards with the spring against port A.*

Short facts about RTAN...

- Noiseless and maintenance-free
- Modern and compact design
- For M30 x 1.5
- 24 V AC and 230 V AC
- On/Off and 0...10 V

Models

Model	Supply voltage	Control signal	Force	Power consumption
RTAN-230	230 V AC	On/Off	100 N	3.0 VA
RTAN-24	24 V AC	On/Off	100 N	3.0 VA
RTAN-24A	24 V AC	0...10 V	100 N	3.5 VA
RTAN140-230	230 V AC	On/Off	140 N	3.0 VA
RTAN140-24	24 V AC	On/Off	140 N	3.0 VA
RTAN140-24A	24 V AC	0...10 V	140 N	3.5 VA

Technical data

Supply voltage	24 V AC or 230 V AC, 50/60 Hz
Control signal	On/Off or 0...10 V
Protection class	IP40 (IP44 when vertically mounted)
Installation	Metal ring with M30 x 1.5 thread. No tools required.
Closing/opening time	
24 V	4.5 min
230 V	3.5 min
Stroke	2.5 mm
Storage temperature	-20...70°C, < 95 % RH
Ambient temperature	0...50°C
Ambient humidity	10...90 % RH (without condensation)
Force	100...140 N. See product sheets for VTTV/VTTR/VTTB for more information on suitable actuators for individual valve sizes
Cable	Length 2 m, cable area 0.50 mm ² , PVC
Weight	200 g
Default position	NC (normally closed, applies to all models)



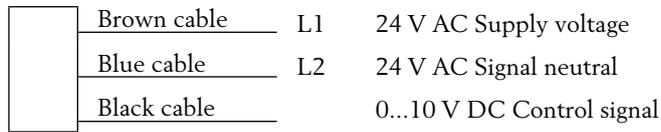
Low Voltage Directive (LVD) standards: This product conforms to the requirements of the European Low Voltage Directive (LVD) 2006/95/EC through product standard EN 60335-1.

EMC emissions & immunity standards: This product conforms to the requirements of the EMC Directive 2004/108/EC through product standards EN 61000-6-1 and EN 61000-6-3.

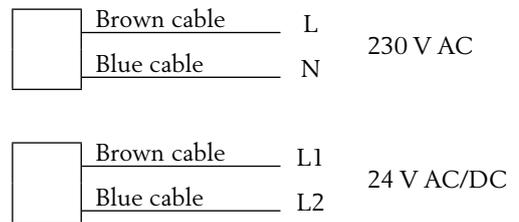
RoHS: This product conforms to the Directive 2011/65/EU of the European Parliament and of the Council.

Wiring

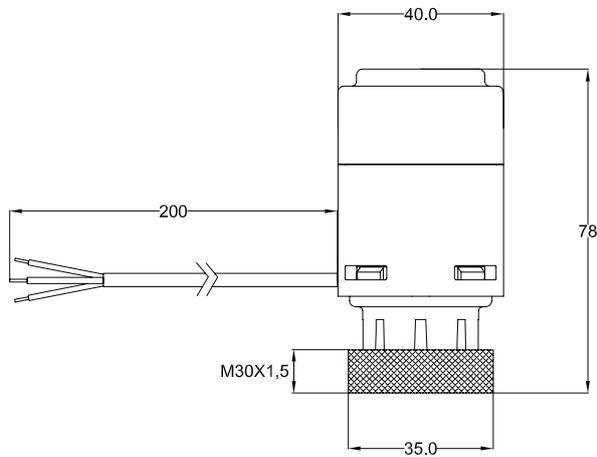
0...10 V models



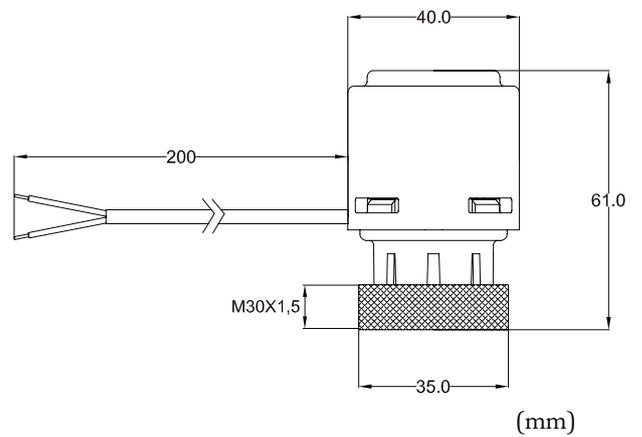
On/off models



Dimensions, 0...10V models



Dimensions, On/Off models



Product documentation

Document	Type
Instruction RTAN...	Instruction for the RTAN... actuators

The product documentation can be downloaded from www.regincontrols.com.

Head office Sweden

Phone: +46 31 720 02 00

Web: www.regincontrols.com

Mail: info@regin.se



THE CHALLENGER IN BUILDING AUTOMATION