



# TG-DH4/NTC20

## Immersion sensor with housing

Temperature sensor with NTC20 element for water temperature measurement.

- Anti-tear M16 cable gland
- Bayonett mounted cover
- R1/4" connection

- Probe in stainless steel
- Modern design and compact format
- Simple and quick installation

Temporo series immersion sensor with a modern design suiting all environments.

The sensor is compatible with Honeywell.

### Technical data

Temperature range	-20...+120°C
Compatible with	Honeywell
Sensor element	NTC 20k6A1, 20 kΩ/25°C
Time constant	4 s
Cable gland	M16
Insertion length	90 mm
Diameter, probe	5 mm
Connection	R1/4"
Pressure rating	PN16
Protection class	IP65

### Material

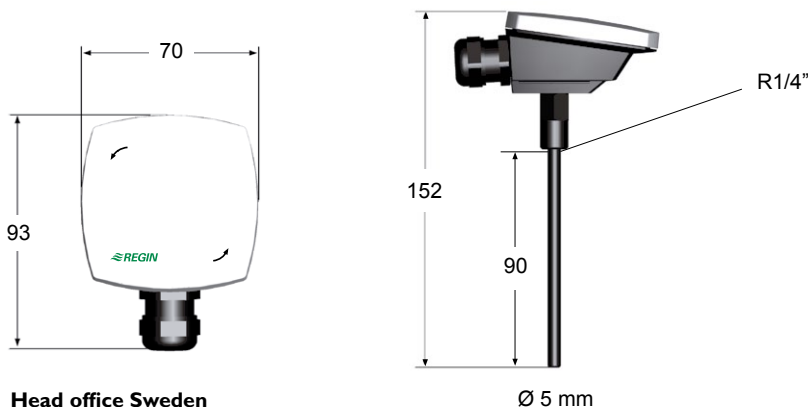
Housing	Polycarbonate
Probe	Stainless steel, SUS304

### Colour

Cover	Polar white RAL9010
Base	Dark grey RAL7043

Temperature (°C)	Resistance (Ω)	Temperature (°C)	Resistance (Ω)
35	12698	120	609
30	15887	110	818
25	20000	100	1114
20	25350	90	1541
15	32346	80	2166
10	41567	70	3099
5	53812	65	3732
0	70203	60	4517
-5	92322	55	5494
-10	122431	50	6718
-15	163777	45	8259
-20	221088	40	10211

### Dimensions (mm)



#### Head office Sweden

Phone: +46 31 720 02 00  
 Web: [www.regincontrols.com](http://www.regincontrols.com)  
 Mail: [info@regin.se](mailto:info@regin.se)

**REGIN**

THE CHALLENGER IN BUILDING AUTOMATION