



TG-DH4/NTC10-02

Immersion sensor with housing

Temperature sensor with NTC10 element for water temperature measurement.

- Anti-tear M16 cable gland
- Bayonett mounted cover
- R1/4" connection

- Probe in stainless steel
- Modern design and compact format
- Simple and quick installation

Tempero series immersion sensor with a modern design suiting all environments.

The sensor is compatible with Carel, Evco, Eliwell and AB Industrietechnik.

Technical data

Temperature range	-20...+110°C
Compatible with	Carel, Evco, Eliwell, AB Industrietechnik
Sensor element	NTC 10k, 10 kΩ/25°C
Time constant	4 s
Cable gland	M16
Insertion length	90 mm
Diameter, probe	5 mm
Connection	R1/4"
Pressure rating	PN16
Protection class	IP65

Material

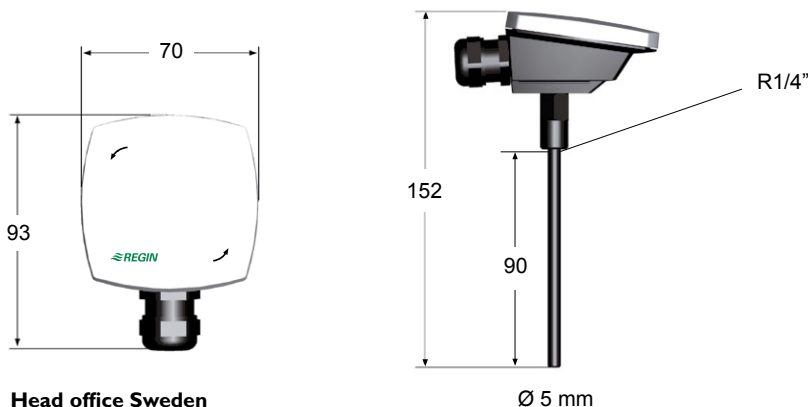
Housing	Polycarbonate
Probe	Stainless steel, SUS304

Colour

Cover	Polar white RAL9010
Base	Dark grey RAL7043

Temperature (°C)	Resistance (Ω)	Temperature (°C)	Resistance (Ω)
35	6940	110	767
30	8313	100	973
25	10000	90	1266
20	12080	80	1668
15	14690	70	2228
10	17960	65	2588
5	22050	60	3020
0	27280	55	3536
-5	33900	50	4160
-10	42470	45	4911
-15	53410	40	5827
-20	67770		

Dimensions (mm)



Head office Sweden

Phone: +46 31 720 02 00
 Web: www.regincontrols.com
 Mail: info@regin.se

REGIN

THE CHALLENGER IN BUILDING AUTOMATION