

Communicative rotary actuator for butterfly valves

- Nominal torque 400 Nm
- Nominal voltage AC/DC 24 V
- Control Modulating DC (0)2...10 V Variable
- Position feedback DC 2...10 V Variable
- Communication via BELIMO MP-Bus
- with 2 integrated auxiliary switches
- Conversion of sensor signals


Technical data

Electrical data	Nominal voltage	AC/DC 24 V	
	Nominal voltage note	AC 24V for 3-lead connection AC/DC 24V for 4-lead connection	
	Nominal voltage frequency	50/60 Hz	
	Nominal voltage range	AC 21.6...26.4 V / DC 21.6...26.4 V	
	Power consumption in operation	180 W	
	Power consumption in operation note	incl. heating	
	Power consumption in rest position	4.8 W	
	Power consumption for wire sizing	144 VA	
	Current consumption	6 A	
	Auxiliary switch	2 x SPDT, 1 x 3° / 1 x 87°	
	Switching capacity auxiliary switch	1 mA...5 (3 inductive) A, DC 5 V...AC 250 V	
	Connection supply / control	Terminals 2.5 mm ² (Wire 2 x 1.5 mm ² or 1 x 2.5 mm ²)	
	Parallel operation	Yes (note the performance data)	
Functional data	Torque motor	400 Nm	
	Positioning signal Y	DC 0...10 V	
	Positioning signal Y note	Input impedance 100 kΩ	
	Operating range Y	DC 2...10 V	
	Operating range Y variable	Start point DC 0.5...30 V End point DC 2.5...32 V	
	Position feedback U	DC 2...10 V	
	Position feedback U note	Max. 0.5 mA	
	Position feedback U variable	Start point DC 0.5...8 V End point DC 2.5...10 V	
	Position accuracy	±5%	
	Manual override	Temporary with handwheel (non-rotating)	
	Angle of rotation	90°	
	Angle of rotation note	Internal limit switch, not adjustable	
	Running time motor	16 s	
	Duty cycle	75 % (= active time 16 s / operating time 21 s)	
	Override control	MAX (maximum position) = 100% MIN (minimum position) = 0% ZS (intermediate position, AC only) = 50%	
	Sound power level motor	70 dB(A)	
	Position indication	Mechanically (integrated)	
	Safety	Protection class IEC/EN	I Protective earth
		Protection class auxiliary switch IEC/EN	I Protective earth
Degree of protection IEC/EN		IP67	
EMC		CE according to 2004/108/EC	
Low voltage directive		CE according to 2006/95/EC	
Mode of operation		Type 1	
Control pollution degree		4	
Ambient temperature		-30...65 °C	
Non-operating temperature		-30...80 °C	
Ambient humidity		95% r.h., non-condensing	
Maintenance		Maintenance-free	
Mechanical data	Connection flange	F10	

Technical data

Weight	Weight approx.	22 kg
Materials	Housing material	Aluminium pressure casting

Safety notes



- This device has been designed for use in stationary heating, ventilation and air conditioning systems and is not allowed to be used outside the specified field of application, especially in aircraft or in any other airborne means of transport.
- Only authorised specialists may carry out installation. All applicable legal or institutional installation regulations must be complied during installation.
- The device does not contain any parts that can be replaced or repaired by the user.
- The device contains electrical and electronic components and is not allowed to be disposed of as household refuse. All locally valid regulations and requirements must be observed.
- A change of the preset angle of rotation limitation may not take place neither by means of limit switches nor by means of PC-Tool/ZTH-... .

Product features

Principle of operation	<p>Conventional operation: The actuator is connected with a standard modulating signal and travels to the position defined by the positioning signal. The measuring voltage U serves for the electrical display of the actuator position 0 ... 100% and as slave control signal for other actuators.</p> <p>Operation on the MP-Bus: The actuator receives its digital positioning signal from the higher level controller via the MP-Bus and travels to the position defined. Connection U serves as communication interface and does not supply an analogue measuring voltage.</p>
Converter for sensors	Connection option for a sensor (passive or active sensor or switching contact). The MP actuator serves as an analogue/digital converter for the transmission of the sensor signal via MP-Bus to the higher level system.
Parameterisable actuators	The factory settings cover the most common applications. Input and output signals and other parameters can be altered with the BELIMO Service Tool, MFT-P.
Simple direct mounting	Simple direct mounting on the butterfly valve. The mounting orientation in relation to the butterfly valve can be selected in 90° (angle) increments.
Manual override	The butterfly valve can be closed (turn clockwise) and opened (turn anticlockwise) with the handwheel. The handwheel does not move while the motor is running.
Internal heating	An internal heater prevents condensation buildup.
High functional reliability	Mechanical end stops limit the actuator to -2° and 92°. The internal limit switches interrupt the voltage supply to the motor. In addition, a motor thermostat provides overload protection and interrupts the voltage supply if the actuator is used outside of the specified temperatures.
Combination valve/actuator	Refer to the valve documentation for suitable valves, their permitted medium temperatures and closing pressures.
Signalling	The integrated auxiliary switches are equipped with a gold/silver coating that permits integration both in circuits with low currents (mA range) and in ones with larger-sized currents (A range) in accordance with the specifications in the data sheet. It should be noted with this application however that the contacts can no longer be used in the milliamperere range after larger currents have been applied to them, even if this has taken place only once.

Accessories

	Description	Type
Gateways	Gateway MP for BACnet MS/TP, AC/DC 24 V	UK24BAC
	Gateway MP to Modbus RTU, AC/DC 24 V	UK24MOD
	Gateway MP for LonWorks®, AC/DC 24 V, LonMark-certified	UK24LON
	Gateway MP to KNX/EIB, AC/DC 24 V, EIBA certified	UK24EIB
Electrical accessories	Description	Type
	Connection cable 5 m, A: RJ11 6/4, B: Free wire end, To ZTH/ZIP-USB-MP	ZK2-GEN
	Connecting cable 5 m, A+B: RJ12 6/6, To ZTH/ZIP-USB-MP	ZK6-GEN
	MP-Bus power supply for MP actuators, AC 230/24V for local power supply	ZN230-24MP
Service Tools	Description	Type
	Service Tool, for MF/MP/Modbus/LonWorks actuators and VAV-Controller	ZTH EU
	Belimo PC-Tool, software for adjustments and diagnostics	MFT-P
	Adapter to Service-Tool ZTH	MFT-C

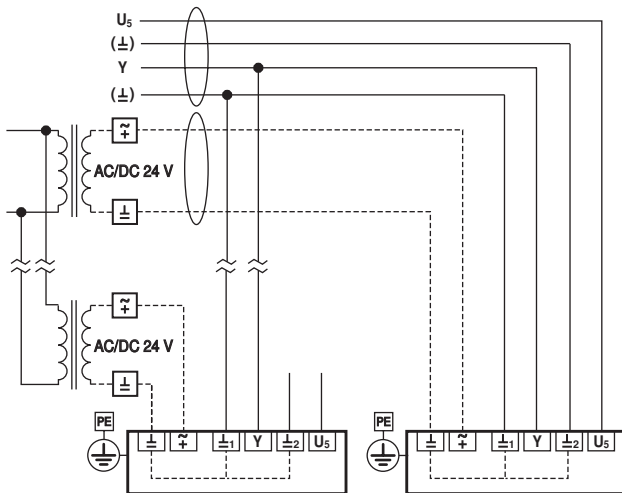
Electrical installation

Notes

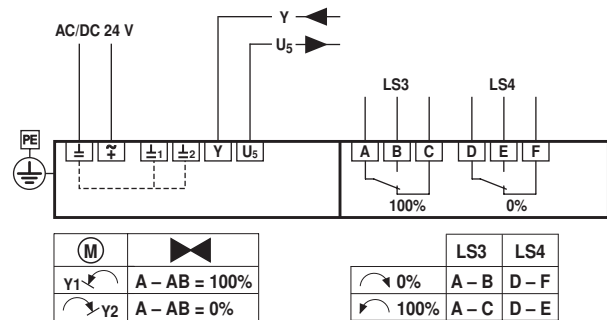
- Connection via safety isolating transformer.
- Maximum cable length restrictions
- The maximum cable length for supply cables (in wiring diagram shown as dashes) is defined by wire cross-section.
- Maximum cable lengths are in the section General Note seen!
- Parallel connection of other actuators possible. Observe performance data for supply.

4-lead connection

4-lead system connection



Electrical installation for 4-lead connection

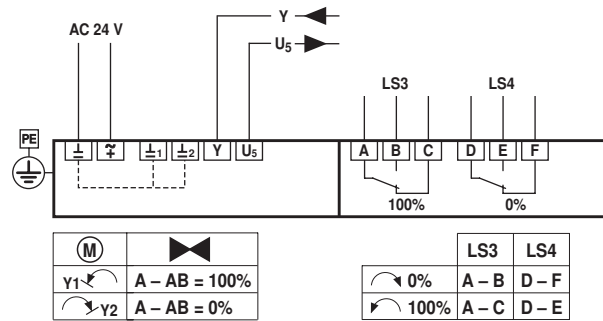
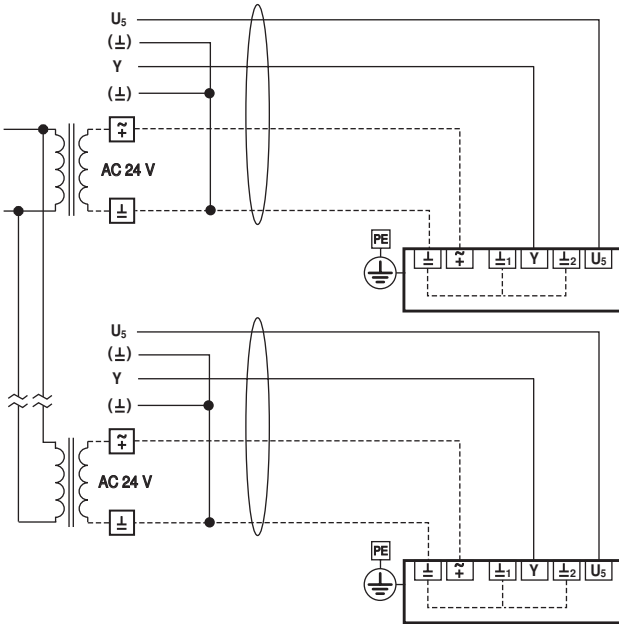


Electrical installation

3-lead connection

3-lead system connection

Electrical installation for 3-lead connection



Functions

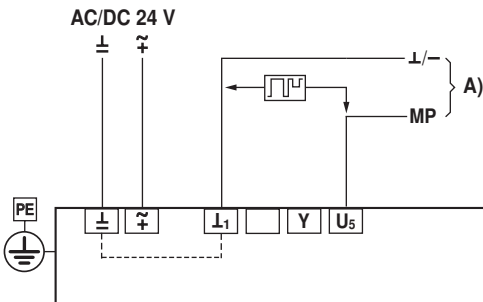


Notes

- At supply interruption disconnect associated MP-Bus!
- It is mandatory with 24 V supply that the GND signal must be connected separately on the print.

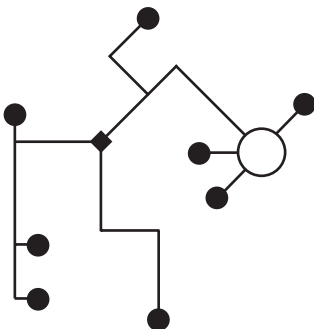
Functions when operated on MP-Bus

Connection on the MP-Bus



A) Additional actuators and sensors (max. 8)

Network topology

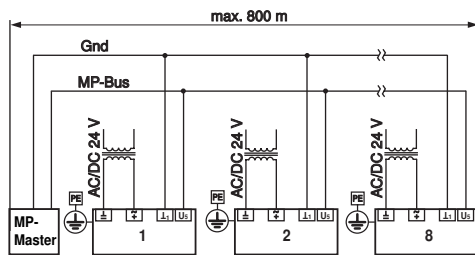


There are no restrictions for the network topology (star, ring, tree or mixed forms are permitted).
Supply and communication in one and the same 3-wire cable

- no shielding or twisting necessary
- no terminating resistors required

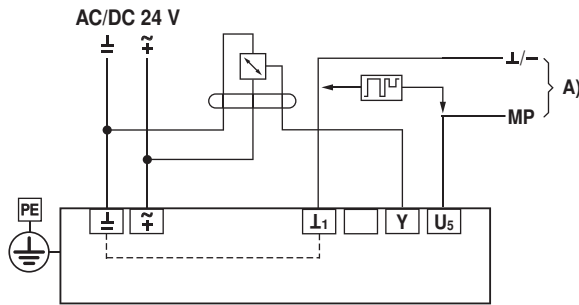
Functions

MP-Bus system connection



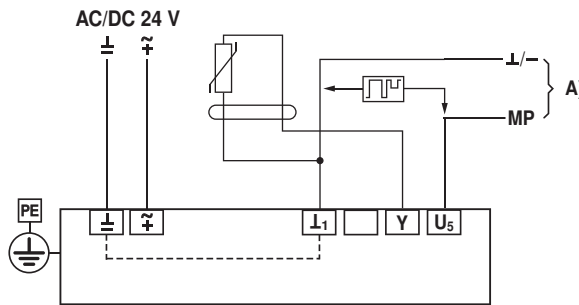
The actuators are supplied locally with AC 24 V via a separate transformer. The cable lengths of the MP cables indicated in the table apply regardless of the performance data of the connected actuators (see general notes).

Connection of active sensors



- A) Additional actuators and sensors (max. 8)
- Supply AC/DC 24 V
 - Output signal DC 0...10 V (max. DC 0...32 V)
 - Resolution 30 mV

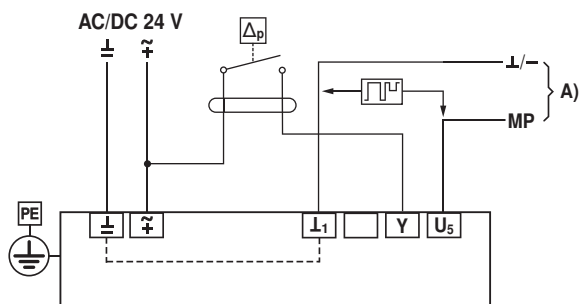
Connection of passive sensors



- A) Additional actuators and sensors (max. 8)

Ni1000	-28...+98 °C	850...1600 Ω	1 Ω
PT1000	-35...+155 °C	850...1600 Ω	1 Ω
NTC	-10...+160 °C	200 Ω...60 kΩ	1 Ω

Connection of external switching contact

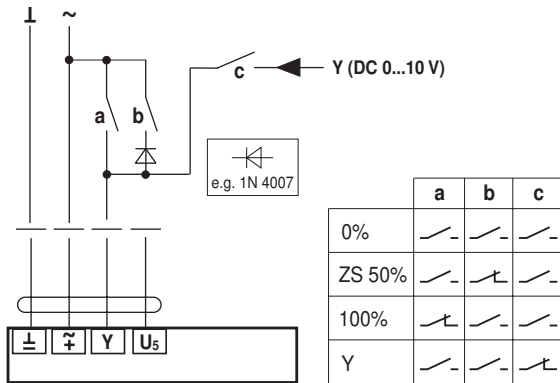


- A) Additional actuators and sensors (max. 8)
- Switching current 16 mA @ 24 V
 - Start point of the operating range must be parameterised on the MP actuator as ≥ 0.6 V

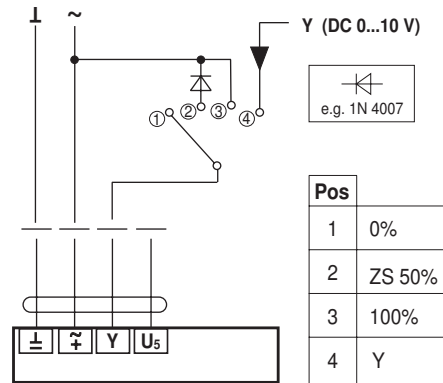
Functions

Functions with basic values (conventional mode)

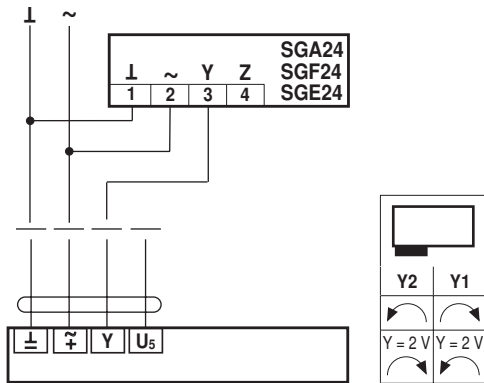
Override control with AC 24 V with relay contacts



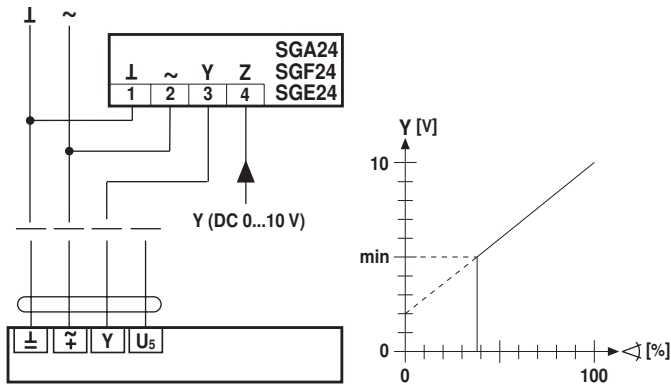
Override control with AC 24 V with rotary switch



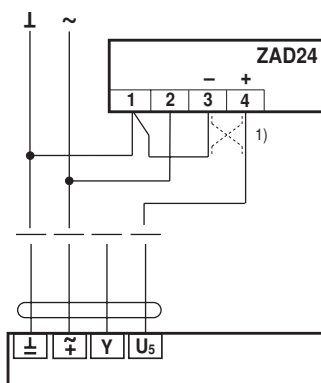
Remote control 0...100% (with positioner)



Minimum limit (with positioner)



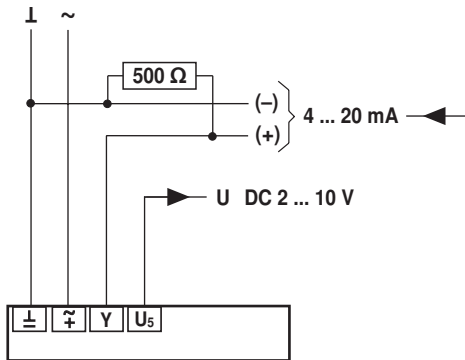
Position indication



(1) Adapting the direction of rotation

Functions

Control with 4...20 mA via external resistor

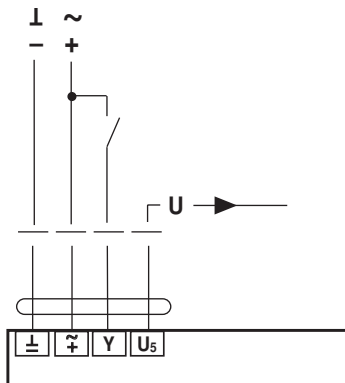


Caution:

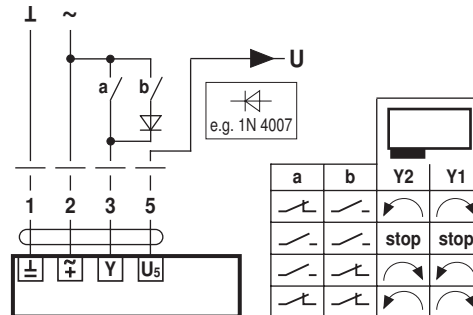
The operating range must be set to DC 2...10 V.
The 500 Ω resistor converts the 4...20 mA current signal to a voltage signal DC 2...10 V

Functions for actuators with specific parameters (Parametrisation with PC-Tool necessary)

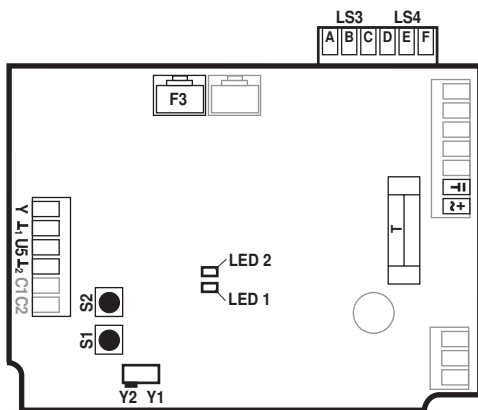
Control open-close



Control 3-point



Connection and function elements



$\underline{\quad} / \sim$	Power supply voltage	
Y1	Direction of rotation switch	Actuator rotates anticlockwise (ccw), valve opens
Y2	Direction of rotation switch	Actuator rotates clockwise (cw) valve closes
Y	Control signal	
U5	Position feedback	
$\underline{\quad}_1 / \underline{\quad}_2$	0-lead (ground)	
F3	PC-tool connection	
S1	Adaptation button	Adaptation procedure is started (press S1 for 3 s) Adaptation must take place after the TC1/TC2 have been adjusted
S2	Addressing button	Addressing procedure is started (press S2 for 3 s)
LED 1 (yellow)	On Off	Adaptation procedure activated Standard operation
LED 2 (green)	On Off	In operation No voltage supply or fault
T	Plug-in fuse	Type T10A250V
LS3	Auxiliary switch	Factory setting 87°
LS4	Auxiliary switch	Factory setting 3°
C1 / C2	Not used	

General notes

Restrictions for connection technologies

4-lead connection: Signal and connection to power supply have different ground connections
3-lead connection: Signal and connection to power supply have the same ground connection

Restrictions Supply voltage

4-lead connection: AC/DC
3-lead connection: AC only

Maximum cable length restrictions

The maximum cable length is defined by wire cross-section

Cable lengths

0.75 mm ²	1 mm ²	1.5 mm ²	2.5 mm ²
12.9 m	17.1 m	25.7 m	42.9 m

Measuring voltage U5 restrictions

4-lead connection: No limitation
3-lead connection: U5 is stable as soon as the actuator stops

Positioning signal mA restrictions

4-lead connection: The ground connection must be wired to the actuator with mA control signal
3-lead connection: Not possible

Settings



Notes

- Limit switches TC1/TC2 and angle of rotation limitation are provided with sealing varnish and may not be adjusted.

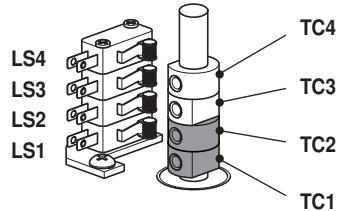
Setting cam

The setting cams for limit and auxiliary switches can be accessed by removing the housing cover.

Optionally, auxiliary switches LS4 / LS3 can be connected for signalling.

Limit switches LS2 / LS1 interrupt the voltage to the motor and are controlled by setting cams TC..

The setting cams turn with the stem. The butterfly valve closes when the stem is turning clockwise (cw) and opens when the stem is turning counterclockwise (ccw).



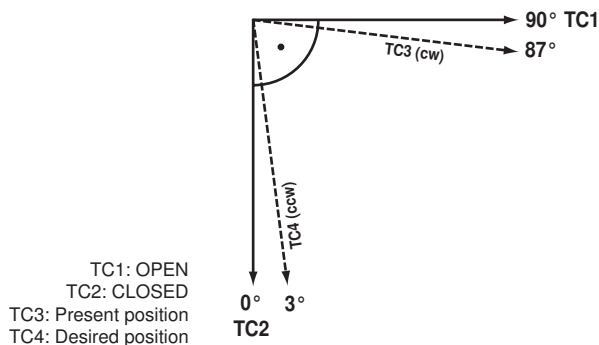
TC1/TC2 with sealing varnish: limit switches are secured against adjustment

Settings of setting cams TC..

- TC4 for auxiliary switch position closed (factory setting 3°).
- TC3 for auxiliary switch position open (factory setting 87°).
- TC2 for limit switch closed (0°).
- TC1 for limit switch open (90°).

Adjusting setting cams

- 1) Use a 2.5 mm Allen key to unscrew the corresponding setting cams TC..
- 2) Turn the setting cam using the Allen key
- 3) Set as shown in the illustration below
- 4) Use the Allen key to tighten the corresponding setting cams



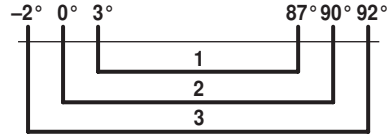
Settings

Mechanical angle of rotation limitation

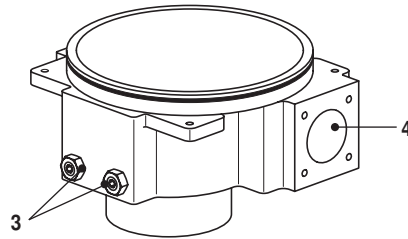
The mechanical angle of rotation (3) is set at the factory to -2° and 92° and cannot be changed.

The handwheel is rotated by means of a worm gear in a planetary gear unit. The gearing is stopped mechanically by means of two setscrews (3).

Relationship between mechanical angle of rotation limitation, limit and auxiliary switches



- 1: Auxiliary switch adjustable TC3 / TC4
- 2: Limit switch fix adjusted TC1 / TC2
- 3: Mechanical angle of rotation fix adjusted



- 3: Angle of rotation limitation with sealing varnish: Must not be adjusted
- 4: Connection handwheel

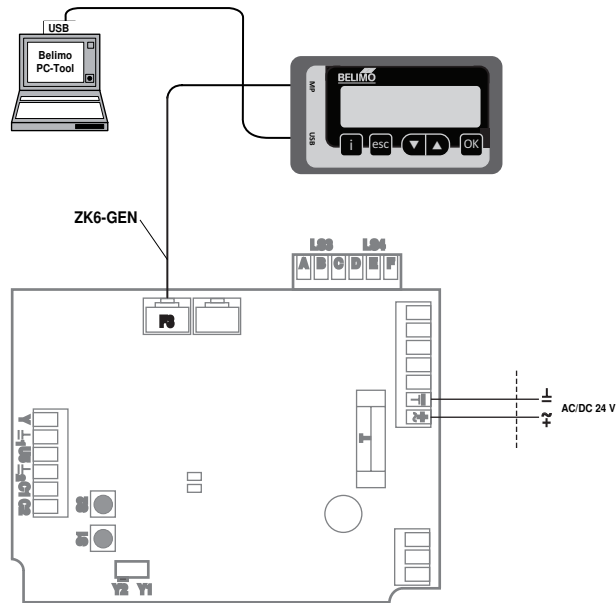
Service



Notes

- Actuators may be parameterised with Belimo PC-Tool MFT-P or ZTH EU service tool using the service socket of the actuator.

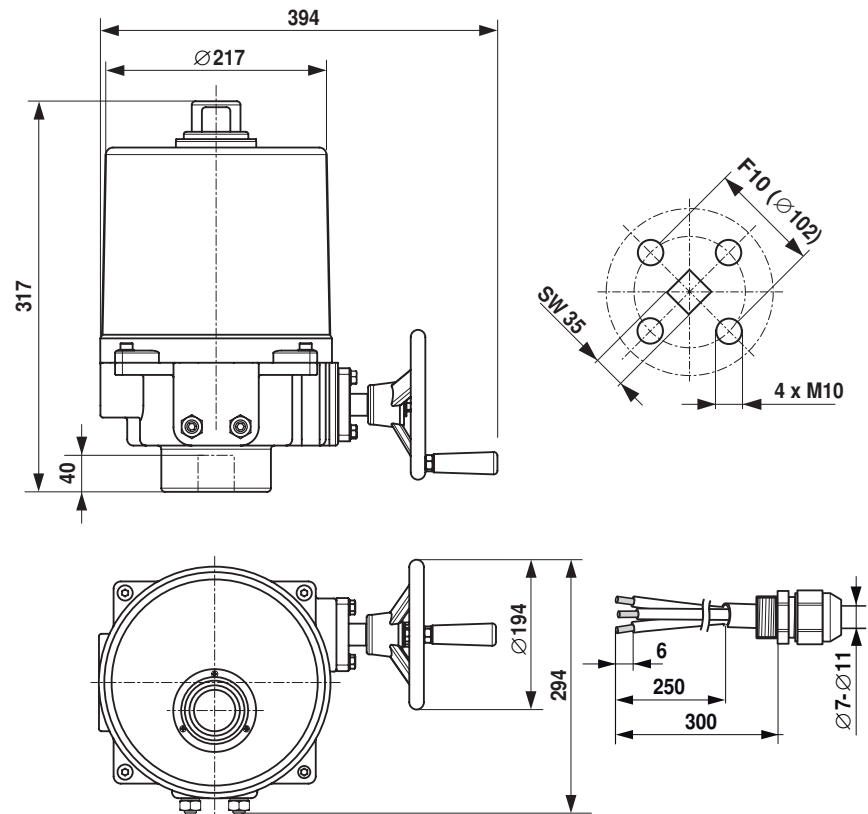
Local connection with ZTH EU via service socket of the SY actuator.



Note
The housing cover must be opened in order to access the connections.
Please note!
It is mandatory with 24 V supply that the GND signal be guided separately on the print.

Dimensions [mm]

Dimensional drawings



Further documentation

- Data sheets for butterfly valves
- Installation instructions for actuators and/or butterfly valves
- Notes for project planning for butterfly valves