

Data sheet

Butterfly valves with hand lever VFY-WH, VFY-LH

Description



Features:

- Spline driven one piece shaft connected to spherically machined disc allows high torque transmission i.e. quick response and minimum back-lash
- Long term reliability due to upper and lower anti-friction bearings
- Safe maintenance : shaft blow out protection with circlip
- Padlockable hand lever with 10 positions.

Main Data:

- DN 25 (32)-300
- k_{vs} 40 (62)-5635 m³/h
- PN 16 (10)
- EPDM Liner
- Stainless steel or Polyamid coated disc
- Medium:
 - Circulation water, drinking water or chilled glycolic water up to 50 %
- Medium temperature:
 - 10 ... 120 °C (PA disc)
 - 10 ... 130 °C (SS disc)
- Wafer or Lug connection
- Approvals: **CE EAC**

Ordering

Wafer type VFY-WH

Picture	DN	k_{vs} (m ³ /h)	PN	T _{max} (°C)	Disc	Code No.
	25	40	10	130	Stainless Steel	065B7350
	32/40	62	16			065B7351
	50	79				065B7410
	65	174				065B7411
	80	275				065B7412
	100	496				065B7413
	125	883				065B7414
	150	1212				065B7415
	200	2500				065B7416
	250	3948				065B7417
	300	5635	065B7418			
	50	79	16	120	Polyamid Coating	065B7352
	65	174				065B7353
	80	275				065B7354
	100	496				065B7355
	125	883				065B7356
	150	1212				065B7357
	200	2500				065B7358
	250	3948				065B7359
	300	5635	065B7360			

Ordering

Lug type **VFY-LH**

Picture	DN	k_{vs} (m ³ /h)	PN	T _{max} (°C)	Disc	Code No.
	32	62	16	130	Stainless Steel	065B7365
	40	62				065B7366
	50	79				065B7420
	65	174				065B7421
	80	275				065B7422
	100	496				065B7423
	125	883				065B7424
	150	1212				065B7425
	200	2500				065B7426
	250	3948				065B7427
	300	5635	065B7428			
	50	79	16	120	Polyamid Coating	065B7367
	65	174				065B7368
	80	275				065B7369
	100	496				065B7370
	125	883				065B7371
	150	1212				065B7372
	200	2500				065B7373
	250	3948				065B7374
	300	5635				065B7375

Spare parts

Note:
Please contact Danfoss sales to align on details before ordering spare parts.

Replacement Disc **VFY-Disc**

DN	PN	Disc	Code No.
25	10	Stainless steel	065B7565
32/40	16		065B7566
50			065B7567
65			065B7568
80			065B7569
100			065B7570
125			065B7571
150			065B7572
200			065B7573
250			065B7574
300		065B7575	
50	16	Polyamid coated	065B7555
65			065B7556
80			065B7557
100			065B7558
125			065B7559
150			065B7560
200			065B7561
250			065B7562
300	065B7563		

Replacement Liner **VFY-W Liner**

DN	PN	Liner	Code No.
25	16	EPDM	065B7580
32/40			065B7581
50			065B7582
65			065B7583
80			065B7584
100			065B7585
125			065B7586
150			065B7587
200			065B7588
250			065B7589
300	065B7590		
350			065B7591

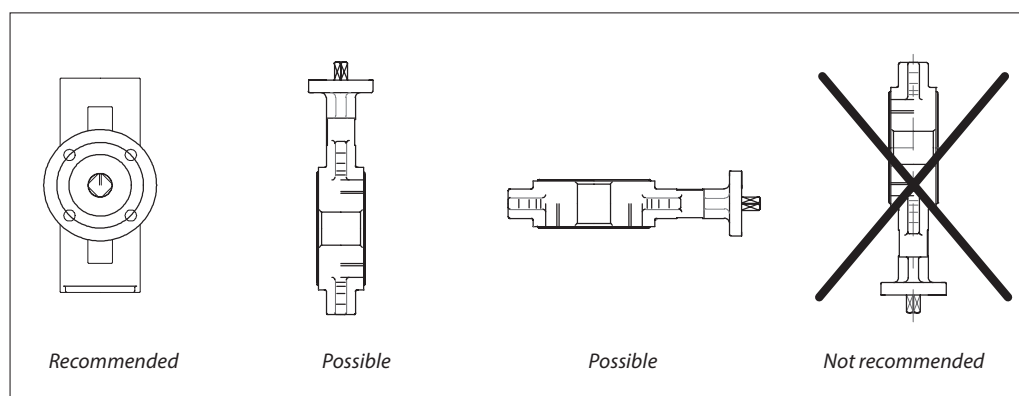
Replacement Hand lever **VFY-Handle**

for DN	Code No.
25/32/40/50/65/80/100	065B7605
125/150	065B7606
200	065B7607
250	065B7608
300	065B7609

Technical data

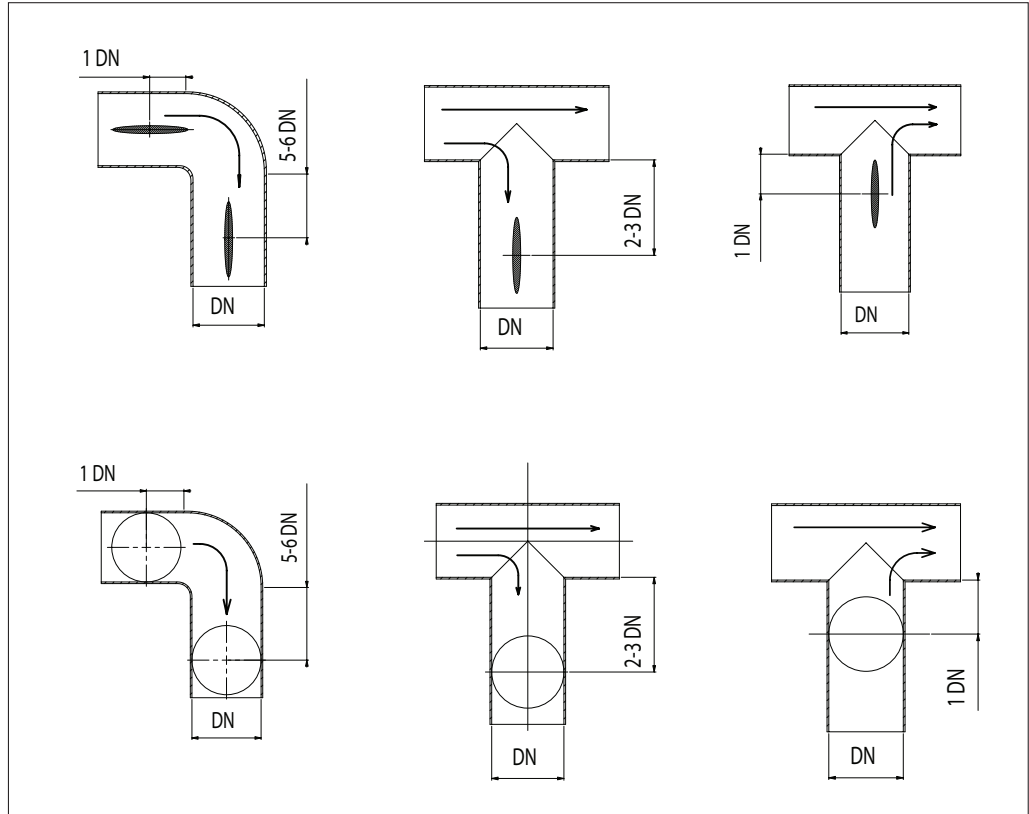
Type		VFY-WH	VFY-LH
Nominal diameter	DN	25-300	32-300
k_{vs} value	m ³ /h	40-5635	62-5635
Rotation angle		90°	
Leakage rate		Acc. to PED 97/23/CE, EN 12266-1, Rate A ¹⁾	
Nominal pressure	PN	16 (from DN 32-300) / 10 (for DN 25)	16
Medium		Circulation water, Glycolyc water up to 50 % or drinking water	
Medium temperature	PA disc	-10 ... 120 (see p-T diagram)	
	SS disc		
Connection	Wafer (centering lugs)	Lug (tapped lugs)	
Mounting		Mounting between flanges	Mounting between flanges or mounting deadline
Material			
Body		Cast iron EN GJL 250 (DIN GG25)	Cast iron EN GJL 250 (DIN GG25) DN 32-150 Ductile iron (DIN GGG40) DN 200-300
Disc		Ductile iron EN GJS 400-15 (DIN GGG 40) with Polyamid coating or Stainless Steel	
Shaft		Stainless steel AISI 420	
Liner		EPDM	
Circlip		Steel XC 75 / Stainless steel	
O-ring		Nitrile/Viton	
Upper guide bush		Zinc coated S. + PTFE	
Lower guide bush		Zinc coated S. + PTFE	
Cap		EN GJS-400-15/EN GJL-250	
Hand lever		EN GJS-400-15	

¹⁾ No visible defectable leakage during the testing procedure

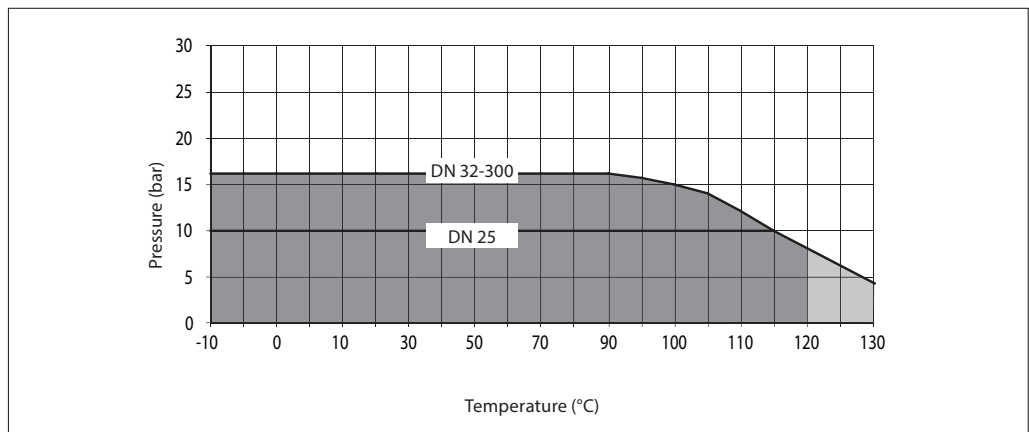
Installation positions


Installation conditions

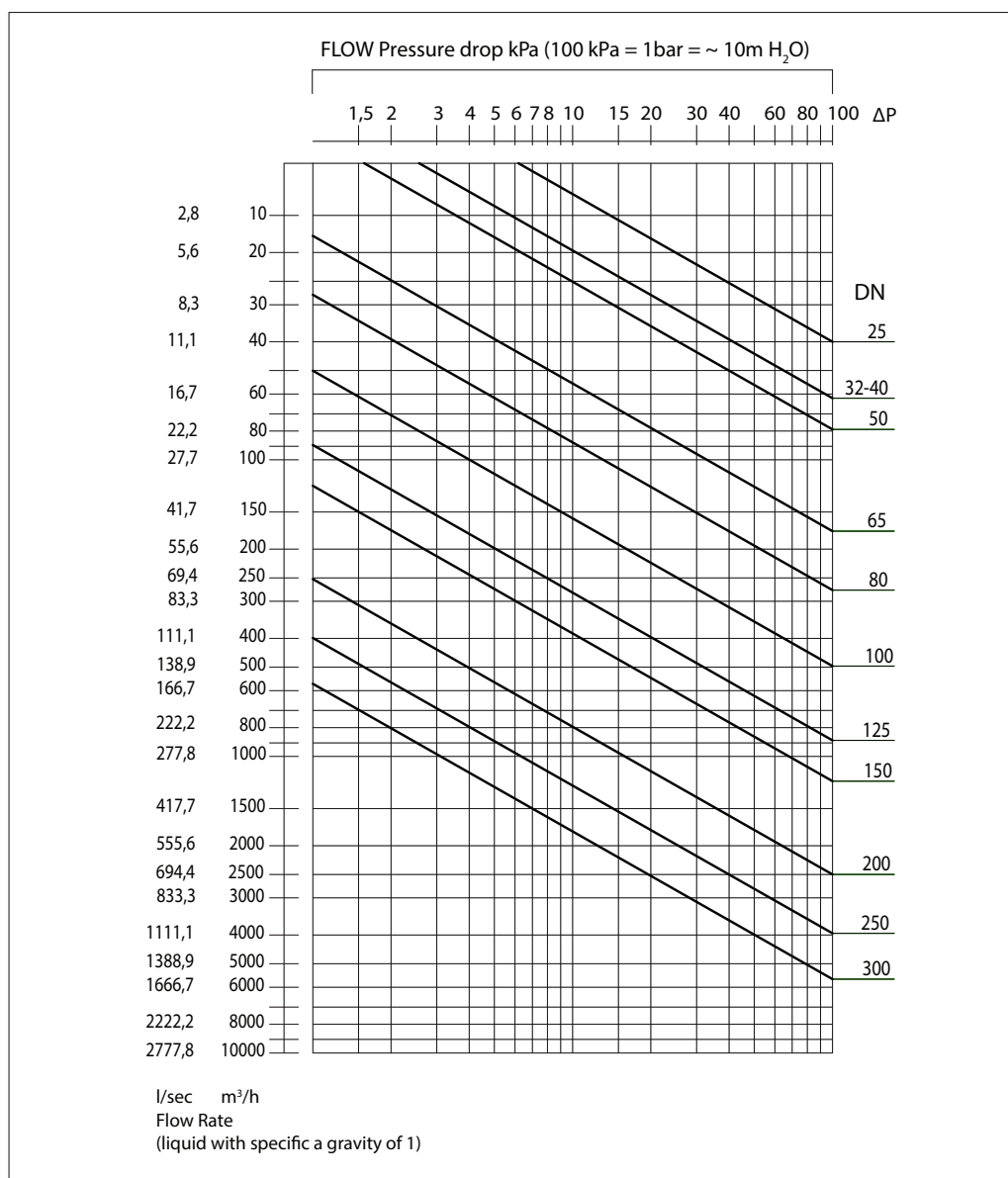
It is recommended that distances indicated below are respected in order to prolong lifetime of the valve. Mounting the valve close to pipework junctions (turbulent zones) increases wear.



P-T diagram

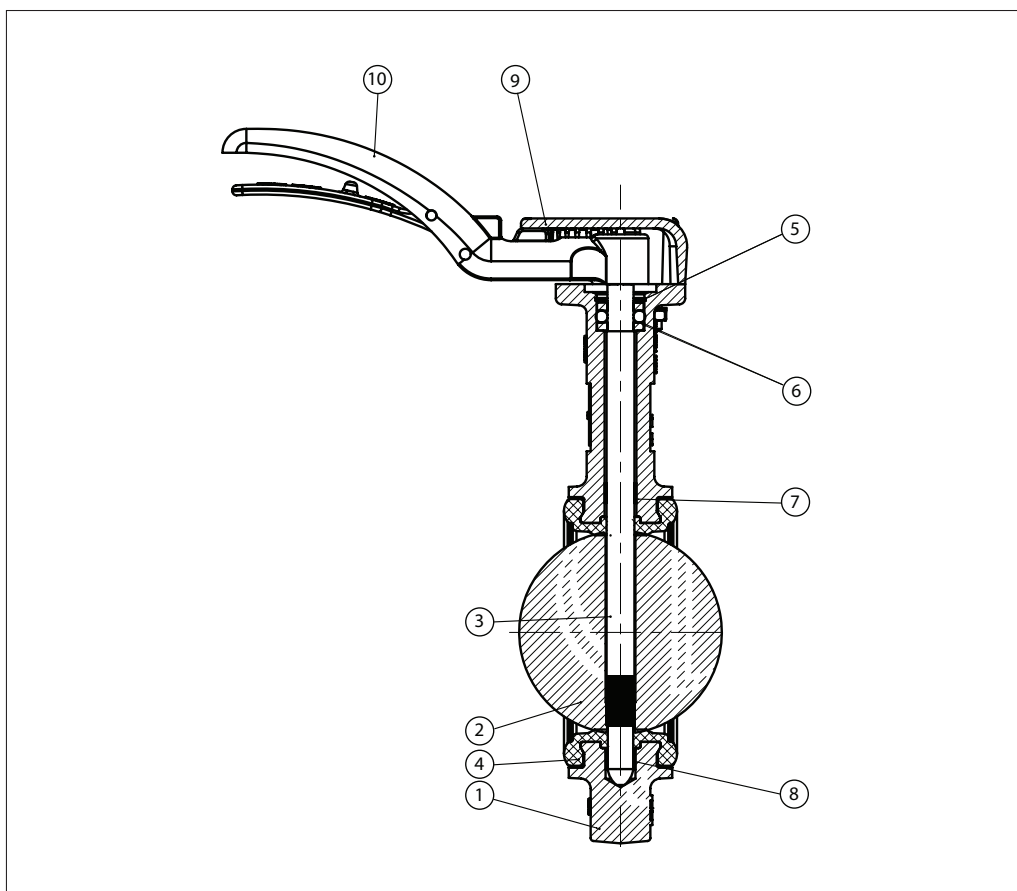


Headloss diagram
For water at 20°C



Design

- 1. Body
- 2. Disc
- 3. Shaft
- 4. Liner
- 5. Circlip
- 6. O-ring
- 7. Upper guide bush
- 8. Lower guide bush
- 9. Cap
- 10. Hand lever



Dimensions

VFY-WH

DN	A	B	C	D	E	Weight (kg)
	mm					VFY-WH
25	50	158	200	32	45	2,3
32/40	57	163	200	32	45	2,4
50	62	169	200	43	45	3,3
65	70	178	200	46	45	3,6
80	89	184	200	46	45	4,0
100	106	208	200	52	45	6,3
125	120	223	290	56	65	7,5
150	131	236	290	56	65	8,5
200	164	258	450	60	86	12,1
250	200	318	450	68	86	23,1
300	235	343	450	78	86	32,9

VFY-LH

DN	A	B	C	D	E	Weight (kg)
	mm					VFY-LH
32/40	57	163	200	32	45	2,8
50	62	169	200	43	45	3,7
65	70	178	200	46	45	4,1

DN	A	B	C	D	E	Weight (kg)
	mm					VFY-LH
80	89	184	200	46	45	5,1
100	106	208	290	52	65	7,6
125	120	223	290	56	65	10,0
150	131	236	290	56	65	11,0

DN	A	B	C	D	E	Weight (kg)
	mm					VFY-LH
200	164	293	450	60	86	16,8
250	200	318	450	68	86	28,1
300	235	343	450	78	86	38,3

