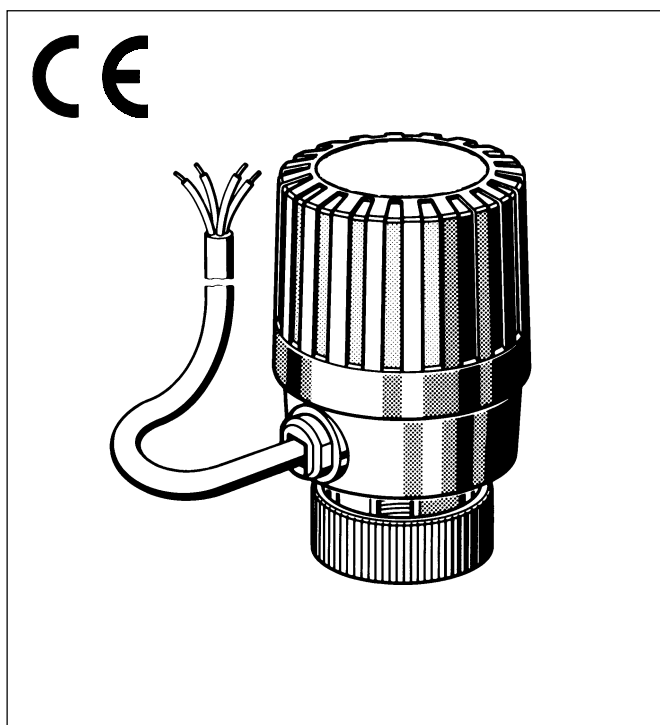


## Z100

### LINEAR THERMOELECTRIC ACTUATOR

#### PRODUCT DATA



#### Design

- Available in normally open or normally closed versions
- M30 x 1.5 connection
- Power supply 24V or 230V
- Housing with integrated cable clamp

#### Materials

- High-grade synthetic material housing, colour: white
- Nickel-plated brass connection nut

#### Application

Z100 actuators are used with Honeywell room-temperature controllers and/or for time-controlled two-point regulation of heating and cooling systems equipped with fan coil units, radiators, floor heating systems, etc.

#### Features

- **Small size allows limited space installation**
- **Reliable longtime operation**
- **No mounting tools required**
- **Noiseless operation**
- **Ready-to-wire connection cable (white)**
- **Actuator fitted with visual valve position indicator**
- **Overload protection (4kV) for 230V version on request**
- **Maintenance-free**

#### Specifications

<b>Opening time</b>	max. 4 min (230 V) max. 5 min (24 V)
<b>Closing time</b>	see diagram on next page
<b>Maximum stroke</b>	4 mm
<b>Stem force</b>	90 N
<b>Ambient temperature</b>	max. 50°C (122°F)
<b>Power supply</b>	230 V ~ ; 50/60 Hz <b>B..</b> Versions 24 V ≐ ; 50/60 Hz <b>A..</b> Versions
<b>Initial current</b>	0,3A (230V); 0,6 A (24V)
<b>Permanent current</b>	0,013A (230V); 0,09A (24V)
<b>Power Consumption</b>	3VA
<b>Protection standard</b>	IP 43
<b>Cable length</b>	1 m (3.3 ft); two-core for version without auxiliary switch, four-core for version with auxiliary switch
<b>Connection cable</b>	0,75 mm <sup>2</sup>

NOTE: Opening and closing times depend upon ambient temperature.

## Dimensions

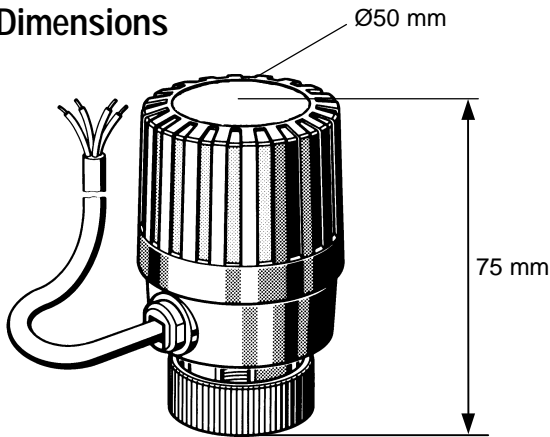


Fig. 1. Dimensions

NOTE: All dimensions in mm unless otherwise stated.

## Function

When the operating current is applied a thermostat with expanding medium is heated which after a pause period causes stroke movement.

## Ordering information

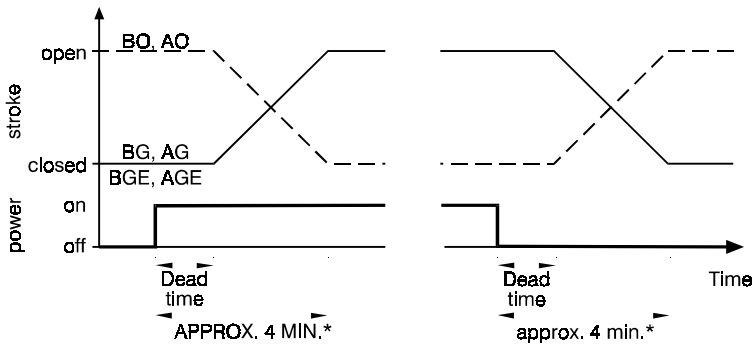
### Versions without auxiliary switch

Z100-BO = 230 V ~	Valve open without current (when heated the valve closes)
Z100-AO = 24 V ≐	Valve open without current (when heated the valve closes)
Z100-BG = 230 V ~	Valve closed without current (when heated the valve opens)
Z100-AG = 24 V ≐	Valve closed without current (when heated the valve opens)

### Versions with auxiliary switch:

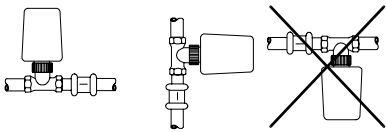
Z100-BGE = 230 V ~	Valve closed without current (when heated the valve opens)
Z100-AGE = 24 V ≐	Valve closed without current (when heated the valve opens)

## Opening and closing time



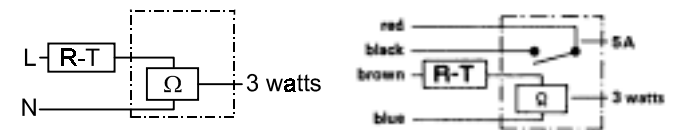
NOTE: Opening and closing times depend upon ambient temperature.

## Installation positions



NOTE: Connection leads must not touch the piping (heat transfer).

## Wiring diagram



## Accessories

- ZA 100 M-D** Adapter for Danfoss-Valve RAVL
- ZA 100 M-GD** Adapter for Danfoss-Valve RA

**Honeywell**

### Home and Building Control

Honeywell AG  
 Zu den Ruhrwiesen 3  
 D-59755 Arnsberg-Neheim  
 Phone: (49) 2932 9880  
 Fax: (49) 2932 988239  
 mng@honeywell.com

<http://europe.hbc.honeywell.com>