

Excel IRC Excel 10

S7014A,B,C SETPOINT ADJUSTMENT UNIT

PRODUCT DATA



Fig. 1. Setpoint adjustment unit S7014A

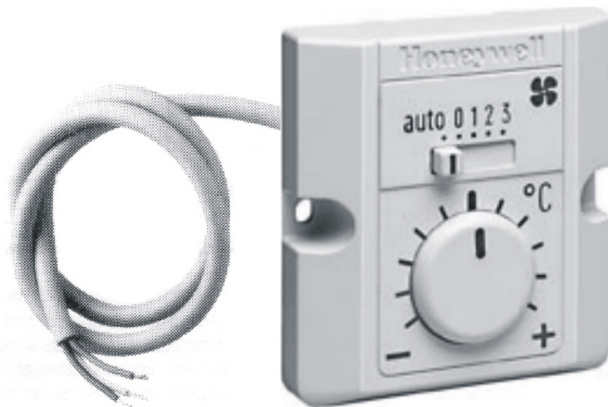


Fig. 2. Setpoint adjustment unit S7014B,C

GENERAL

The S7014A and B Setpoint Adjustment Units are designed for unit mounting and are connected directly by a 2-meter-long cable to the input of the Control Output Modules R7452D,E,F.

The S7014A and B Setpoint Adjustment Units are used for the manual adjustment of the room temperature setpoint. The S7014B also allows the fan speed to be manually adjusted, and is suitable for switching between automatic and manual operation of a single-phase alternating current motors having up to three speeds.

The S7014C has the same features as the S7014B, but the resistance values are the same as those of the XL10/XL500 system.

MODELS

Function / Model no.	S7014A 1004	S7014B 1000	S7014C 1009
Remote setpoint adjustment	x	x	x
Fan speed control		x	x
Used in conjunction with	R7452D	R7452E,F	XL10, XL500

SPECIFICATIONS

Remote setpoint adjustment	-5...5 K
Fan speed control	Auto / OFF / ON1 / ON2 / ON3
Dimensions (H x W x D)	70 x 75 x 18 mm
Weight	80 g
Case	Plastic (ABS), flame-retardant as per UL94-V0
Mounting	Wall, surface, or recess mounting
Ambient operating limits	0...+50 °C, 5...95% RH
Ambient storage limits	-25...+70 °C, 5...95% RH
Protection standards	IP30 as per DIN 40 050 or IEC 144


Connections

S7014A	unshielded cable, 2 m, 2 x 0.25 mm ²
S7014B	unshielded cable, 2 m, 3 x 0.25 mm ²
S7014C	unshielded cable, 2 m, 3 x 0.25 mm ²




CONNECTIONS

NOTE: To avoid electromagnetic interference, keep cables separate from power lines. Distance must be greater than or equal to 15 cm.

S7014A

Cable color	Function	Name
White		COM
Brown		CPA

S7014B,C

Cable color	Function	Name
White		COM
Brown		CPA
Green	 	FAN

MOUNTING DIMENSIONS

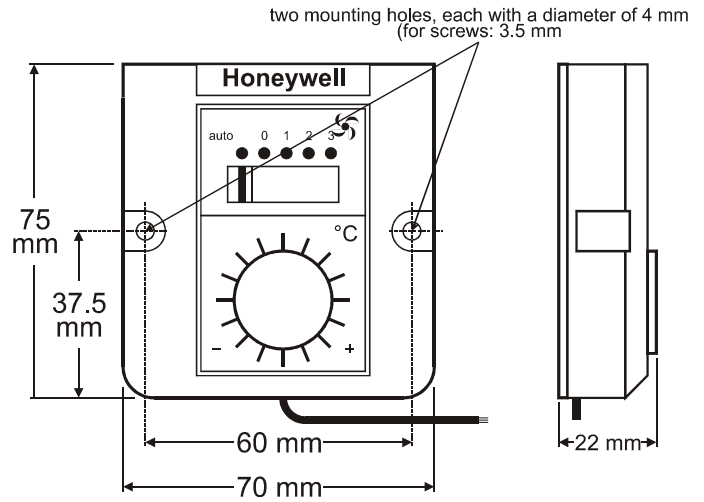


Fig. 3. Dimensions

MOUNTING

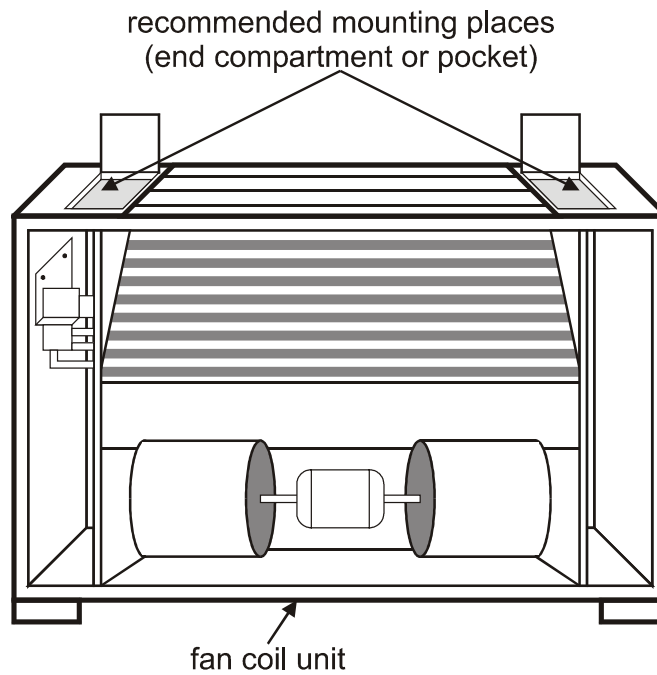


Fig. 4. Recommended mounting places in fan coil units

Honeywell

Home and Building Control

Honeywell AG
P.O. Box 1254
D-71099 Schönaich
Phone: (49) 7031-637-02
Fax: (49) 7031-637-850
<http://honeywell.de/fema>

Subject to change without notice. Printed in Germany

EN0B-0356GE51 R1001

Manufacturing location certified to

**DIN EN ISO
9001/14001**