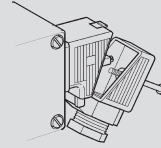




SN 280

## Type series SN...-280

The low-voltage plugs on SN transmitters can be opened up. This simplifies fitting and also means that the supply voltage and output signal can be measured directly from the opened plug.



### As-delivered condition:

The transmitters are fully assembled in the factory (sensor + evaluation module + cover) and set to the nominal range. Additional modules and external modules are supplied separately.

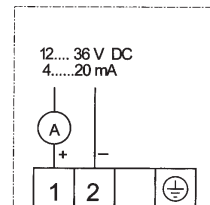
### Technical data

<b>Electrical connection</b>	Plug connection DIN 43650 PG 11
<b>Supply voltage</b>	12 V...30 V DC
<b>Ambient temperature</b>	0...+60°C
<b>Material</b>	Housing: Makrolon Sensor: 1.4571 Diaphragm: 1.4435
<b>Degree of protection</b>	IP 65
<b>Included accessories</b>	Plug DIN 43650
<b>Pressure connection</b>	G 1/2 external
<b>Wrench size</b>	27
<b>Installation</b>	Directly on pressure line
<b>Linearity</b>	≤ 1% FS
<b>Compensated range</b>	0-100°C
<b>Response time</b>	≤ 10 ms
<b>Max. medium temperature</b>	-30...+110°C
<b>Measuring principle</b>	Piezoresistive
<b>Mounting</b>	Directly on pressure line
<b>Output signal</b>	4...20 mA, imped- ance ≤ (UB-10 V) / 0.02 A
<b>Overall accuracy</b>	≤ 1% FS (fixed-point line)
<b>Ambient temperature</b>	0...60°C
<b>Direction of action</b>	Rising pressure pro- duces rising output signal
<b>Accessories</b>	Plug-in display AZG 241

### Product Summary

Operating range (bar)	Operating range (kPa)	Max. pressure (bar)	Type
0 - 0.25	0 - 25	0.75	SN 025-280
0 - 0.6	0 - 60	1.8	SN 06-280
0 - 1	0 - 100	3	SN 1-280
0 - 1.6	0 - 160	6.4	SN 2-280
0 - 2.5	0 - 250	7.5	SN 3-280
0 - 4	0 - 400	16	SN 4-280
0 - 6	0 - 600	18	SN 6-280
0 - 10	0 - 1000	30	SN 10-280
0 - 16	0 - 1600	48	SN 16-280
0 - 25	0 - 2500	70	SN 25-280
0 - 40	0 - 4000	80	SN 40-280

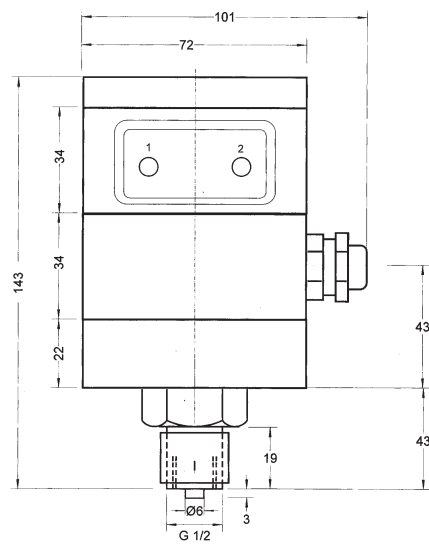
### Connection scheme SN...-280



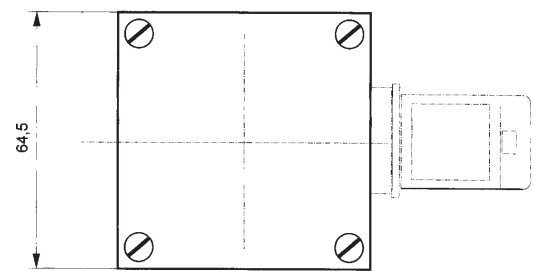
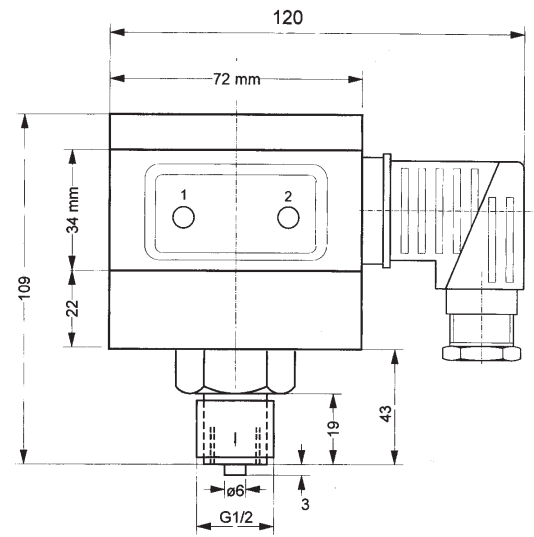
The power supply is connected to terminals 1+ / 2-

**Type series SN**

Dimensioned drawings



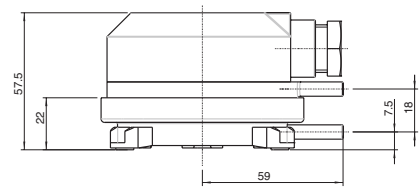
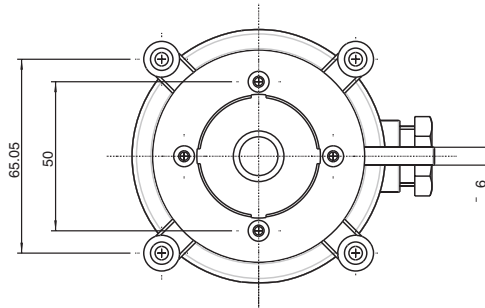
SN...311



SN...-395/-280

**Type series DPT (D)**

Dimensioned drawings



M:1

